

D A R R A N

# Central Park

price list | effective January 2016 | updated 1.19.17



## CENTRAL PARK PRICE LIST REVISIONS

DATE	PAGE	MODIFICATION	DESCRIPTION
5.18.16	40	Price Correction	CPC7236DS734M Pricing updated to 1775
7.20.16	ALL	Removed finishes	Removed discontinued finishes MGS, WGA, WTA, WWA, GRC
7.20.16	ALL	Added finishes	Added new finished MST Studio Teak and GST Studio Teak
7.21.16	72	Updated pricing	Updated CPC7048CA806M from 1965 to 1865
7.21.16	58	Price Correction	CPC6024RE223M 1160 changed to 1195
7.21.16	155	Edited Prices	3848 changed 3363 / 3446 changed 3023 / 3312 changed 2908
8.8.16	137-138	Updates heights, SKUs	Updated heights and SKUs from 20"H to 30"H
8.23.16	149-56	Edited pricing	Edited COM/COL pricing
8.26.16	N/A	Edited Tackboards	Half size overhead tackboard SKUs and sizes have been corrected
9.1.16	120	Prices Edited	CPC1442OH646W changed from 1278 to 1279
9.1.16	78	Updated SKUs	Updated "M" style SKUs from "BRL" to "BRT"

**TABLE OF CONTENTS**

Product index ..... 2

General Information ..... 7

Limited Lifetime Warranty ..... 8

Damages | Returns | Reparis ..... 9

Ordering Information ..... 10

GSA Customer Information ..... 11

Freight..... 12

Features & Advantages ..... 13

Finishes | Specifications..... 15

Edges | Pulls ..... 16

Grommets | Grommet Reference ..... 17

Height Reference ..... 18

Modesty Reference ..... 19

Doors | Grain Direction ..... 20

Drawer Dimensions | FILING Reference ..... 21

Double Pedestal Desk ..... 22

Table Desk..... 27

Single Pedestal Desk ..... 31

Non-Handed Desk Shells..... 38

Conference Desk ..... 40

Service Desk ..... 45

Runoff Desk ..... 49

Returns..... 57

Bridges ..... 61

Freestanding Credenzas..... 62

Workstation Credenzas..... 67

Service Credenzas..... 70

Non-Handed Shells..... 73

Bench Cabinets ..... 75

Pedestals ..... 80

Single Height Freestanding Overheads ..... 84

Double Height Freestanding Overheads ..... 94

Overhead Accessories..... 98

Single Height Wall Hung Overheads ..... 102

Double Height Wall Hung Overheads ..... 108

Wall Hung Accessories ..... 114

Overhead Half Towers ..... 119

Overhead Bookcases ..... 125

Vertical Half Towers ..... 127

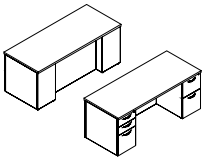
Vertical Full Towers ..... 132

Bookcases..... 137

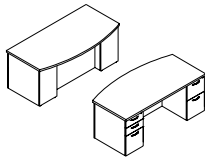
Reception..... 141

Options ..... 157

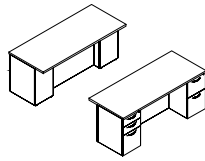
Data and Power..... 180



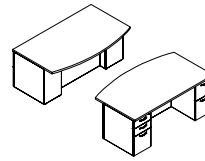
PAGE 22  
BREAKFRONT CHASSIS DESKS



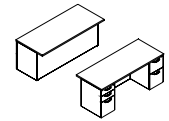
PAGE 23  
BREAKFRONT CHASSIS DESKS



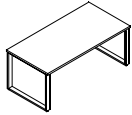
PAGE 24  
BREAKFRONT CHASSIS DESKS



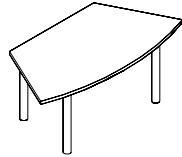
PAGE 25  
BREAKFRONT CHASSIS DESKS



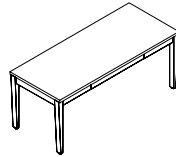
PAGE 26  
FLUSH CHASSIS DESKS W/  
OVERHANG



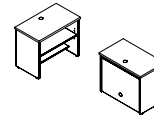
PAGE 27  
TABLE DESKS WITH SLEIGH BASE



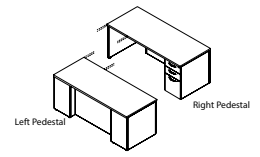
PAGE 28  
TABLE DESKS WITH METAL LEGS



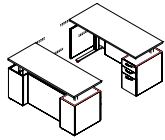
PAGE 29  
TABLE DESKS WITH WOOD LEGS



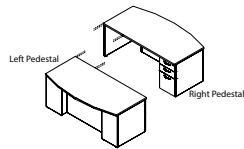
PAGE 30  
DESKS



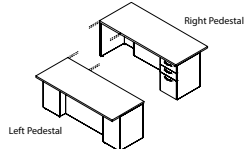
PAGE 31  
DOUBLE BREAKFRONT / SINGLE  
PEDESTAL DESKS



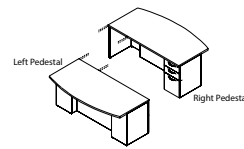
PAGE 32  
DOUBLE BREAKFRONT / SINGLE  
PEDESTAL DESKS



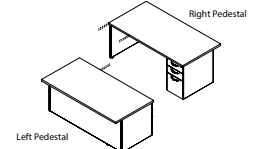
PAGE 33  
DOUBLE BREAKFRONT / SINGLE  
PEDESTAL DESKS



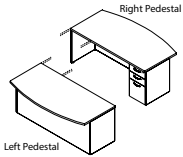
PAGE 34  
DOUBLE BREAKFRONT / SINGLE  
PEDESTAL DESKS



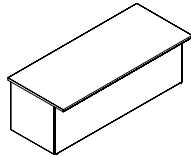
PAGE 35  
DOUBLE BREAKFRONT / SINGLE  
PEDESTAL DESKS



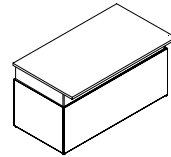
PAGE 36  
FLUSH CHASSIS SINGLE PEDESTAL  
DESKS W/ OVERHANG TOP



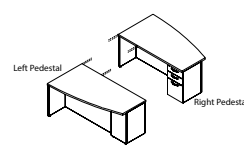
PAGE 37  
FLUSH MODESTY SINGLE  
PEDESTAL DESKS



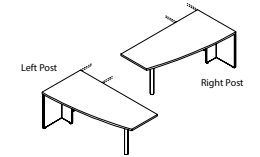
PAGE 38  
NON-HANDED DESK UNITS



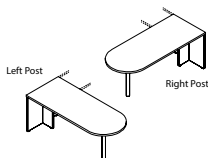
PAGE 39  
DESK SHELL



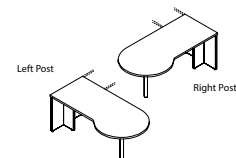
PAGE 40  
CONFERENCE DESKS



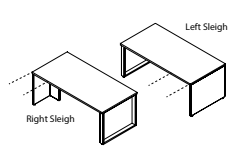
PAGE 41  
CONFERENCE DESKS



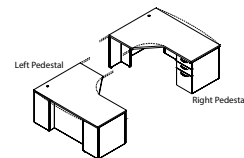
PAGE 42  
CONFERENCE DESKS



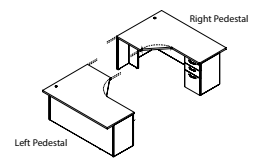
PAGE 43  
CONFERENCE DESKS



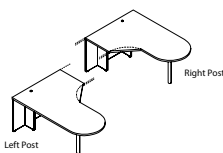
PAGE 44  
CONFERENCE DESKS



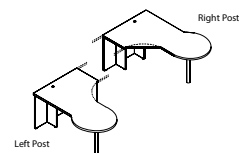
PAGE 45  
SERVICE WORKSTATION DESKS



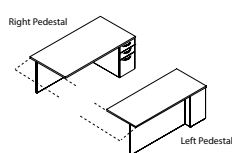
PAGE 46  
SERVICE WORKSTATION DESKS



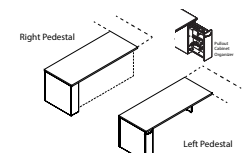
PAGE 47  
SERVICE WORKSTATION DESKS



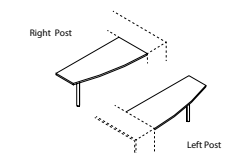
PAGE 48  
SERVICE WORKSTATION DESKS



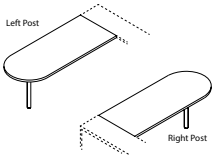
PAGE 49  
WORKSTATION RUNOFF DESKS  
SINGLE FULL PEDESTAL



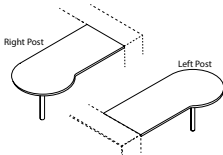
PAGE 50  
ORGANIZER RUNOFF DESKS



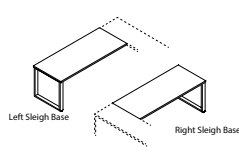
PAGE 51  
CONFERENCE RUNOFF DESKS



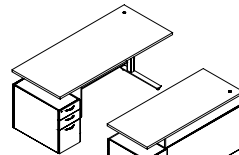
PAGE 52  
CONFERENCE RUNOFF DESKS



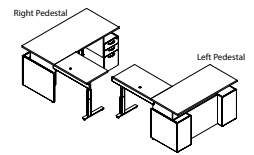
PAGE 53  
CONFERENCE RUNOFF DESKS



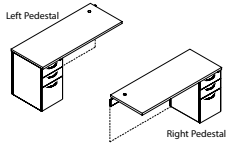
PAGE 54  
CONFERENCE RUNOFF DESKS



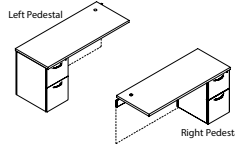
PAGE 55  
HEIGHT ADJUSTABLE  
WORKSTATION RUNOFF DESKS



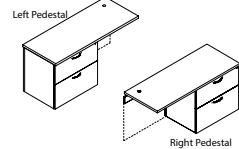
PAGE 56  
HEIGHT ADJUSTABLE BOX/BOX/  
FILE PEDESTAL WITH BRIDGE



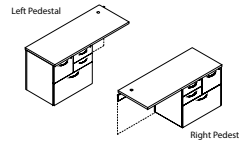
PAGE 57  
"L" WORKSTATION RETURNS



PAGE 58  
"L" WORKSTATION RETURNS



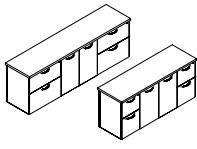
PAGE 59  
"L" WORKSTATION RETURNS



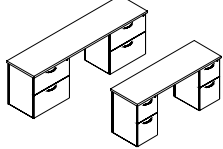
PAGE 60  
"L" WORKSTATION RETURNS



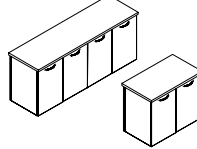
PAGE 61  
BRIDGES



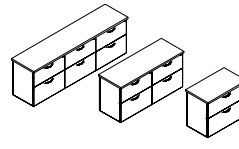
PAGE 62  
FULL PEDESTAL CREDENZAS



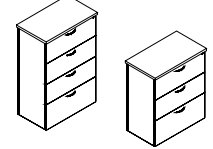
PAGE 63  
FULL PEDESTAL CREDENZAS



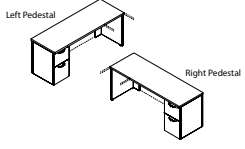
PAGE 64  
FULL PEDESTAL CREDENZAS



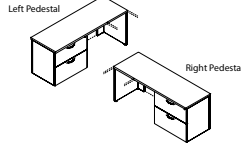
PAGE 65  
FULL PEDESTAL CREDENZAS



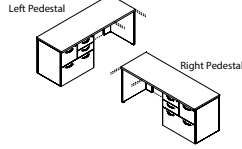
PAGE 66  
FULL PEDESTAL CREDENZAS



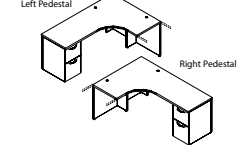
PAGE 67  
WORKSTATION CREDENZAS



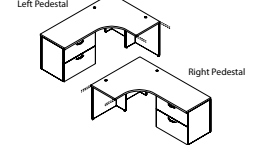
PAGE 68  
WORKSTATION CREDENZAS



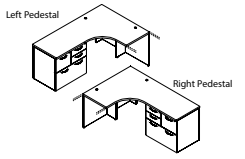
PAGE 69  
WORKSTATION CREDENZAS



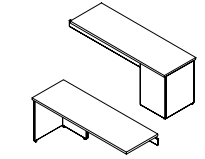
PAGE 70  
SERVICE CREDENZAS



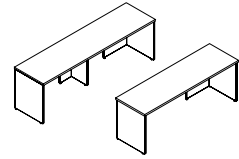
PAGE 71  
SERVICE CREDENZAS



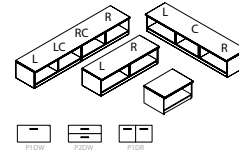
PAGE 72  
SERVICE CREDENZAS



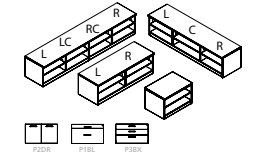
PAGE 73  
WORKSTATION NON-HANDED  
SHELLS



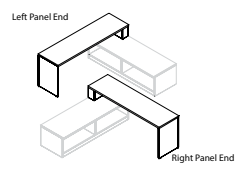
PAGE 74  
WORKSTATION FREESTANDING  
CREDENZA SHELLS



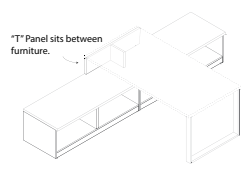
PAGE 75  
SINGLE HEIGHT BENCH CABINETS



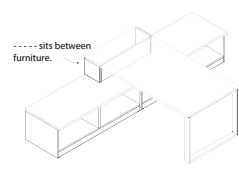
PAGE 76  
DOUBLE HEIGHT BENCH CABINETS



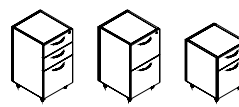
PAGE 77  
BENCHING CREDENZA RUNOFF  
SHELL



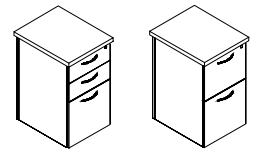
PAGE 78  
BENCH ACCESSORIES



PAGE 79  
BENCH ACCESSORIES



PAGE 80  
PEDESTALS

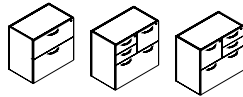


PAGE 81  
PEDESTALS



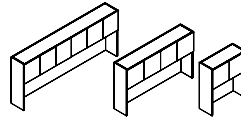
For use under 29"H work surfaces

PAGE 82  
MODULAR PEDESTALS

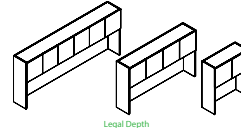


For use under 29"H work surfaces

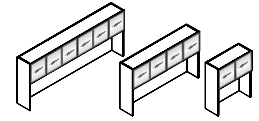
PAGE 83  
PEDESTALS



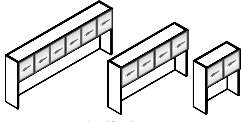
PAGE 84  
SINGLE STORAGE OVERHEAD  
CONSOLE



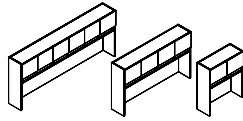
PAGE 85  
SINGLE STORAGE OVERHEAD  
CONSOLE



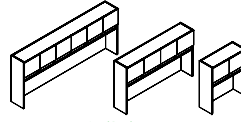
PAGE 86  
SINGLE STORAGE OVERHEAD  
CONSOLE



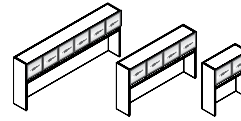
PAGE 87  
SINGLE STORAGE OVERHEAD  
CONSOLE



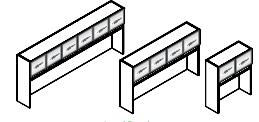
PAGE 88  
SINGLE STORAGE OVERHEAD  
CONSOLE



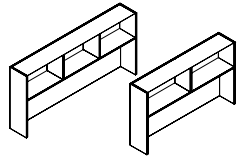
PAGE 89  
SINGLE STORAGE OVERHEAD  
CONSOLE



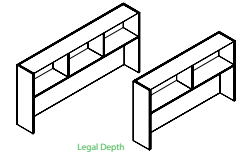
PAGE 90  
SINGLE STORAGE OVERHEAD  
CONSOLE



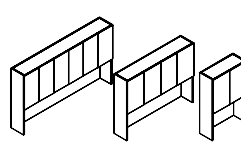
PAGE 91  
SINGLE STORAGE OVERHEAD  
CONSOLE



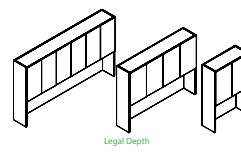
PAGE 92  
SINGLE STORAGE OVERHEAD  
CONSOLE



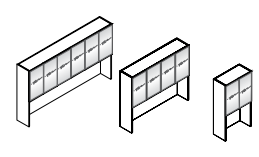
PAGE 93  
SINGLE STORAGE OVERHEAD  
CONSOLE



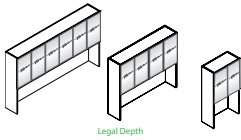
PAGE 94  
DOUBLE STORAGE OVERHEAD  
CONSOLE



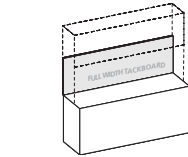
PAGE 95  
DOUBLE STORAGE OVERHEAD  
CONSOLE



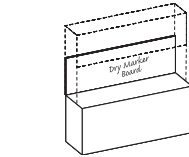
PAGE 96  
DOUBLE STORAGE OVERHEAD  
CONSOLE



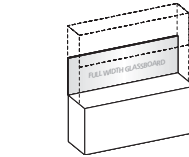
PAGE 97  
DOUBLE STORAGE OVERHEAD  
CONSOLE



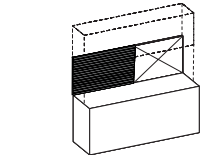
PAGE 98  
OVERHEAD TACKBOARDS



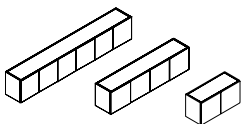
PAGE 99  
OVERHEAD DRY MARKER  
BOARDS



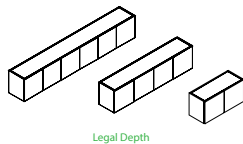
PAGE 100  
OVERHEAD GLASSBOARDS



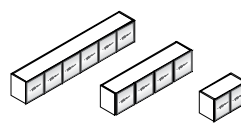
PAGE 101  
OVERHEAD SLAT WALL



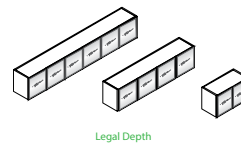
PAGE 102  
SINGLE HEIGHT WALL HUNG  
OVERHEADS



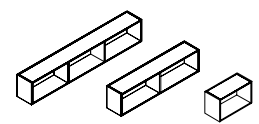
PAGE 103  
SINGLE HEIGHT WALL HUNG  
OVERHEADS



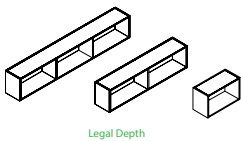
PAGE 104  
SINGLE HEIGHT WALL HUNG  
OVERHEADS



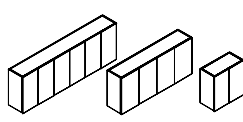
PAGE 105  
SINGLE HEIGHT WALL HUNG  
OVERHEADS



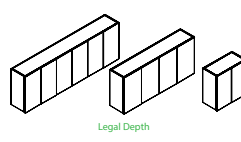
PAGE 106  
SINGLE HEIGHT WALL HUNG  
OVERHEADS



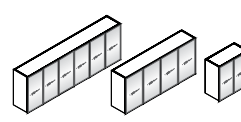
PAGE 107  
SINGLE HEIGHT WALL HUNG  
OVERHEADS



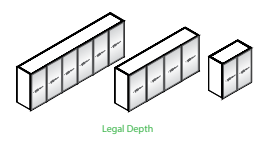
PAGE 108  
DOUBLE HEIGHT WALL HUNG  
OVERHEADS



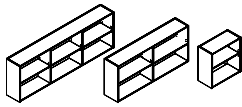
PAGE 109  
DOUBLE HEIGHT WALL HUNG  
OVERHEADS



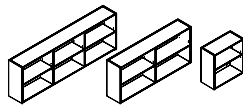
PAGE 110  
DOUBLE HEIGHT WALL HUNG  
OVERHEADS



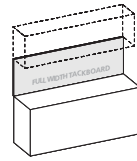
PAGE 111  
DOUBLE HEIGHT WALL HUNG  
OVERHEADS



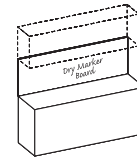
PAGE 112  
DOUBLE HEIGHT WALL HUNG  
OVERHEADS



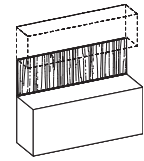
PAGE 113  
DOUBLE HEIGHT WALL HUNG  
OVERHEADS



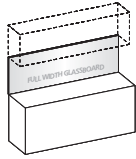
PAGE 114  
WALL HUNG TACKBOARDS



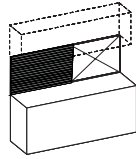
PAGE 115  
WALL HUNG DRY MARKER  
BOARDS



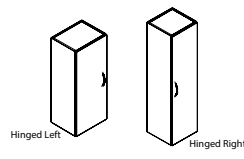
PAGE 116  
WALL HUNG VENEER PANELS



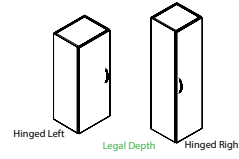
PAGE 117  
WALL HUNG GLASSBOARDS



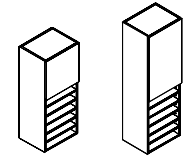
PAGE 118  
WALL HUNG SLAT WALL



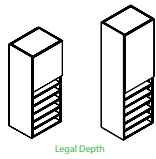
PAGE 119  
OVERHEAD HALF TOWERS



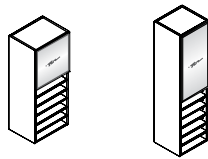
PAGE 120  
OVERHEAD HALF TOWERS



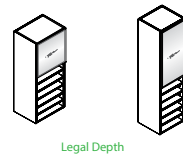
PAGE 121  
OVERHEAD HALF TOWERS



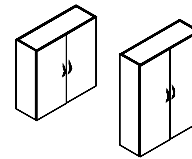
PAGE 122  
OVERHEAD HALF TOWERS



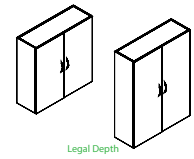
PAGE 123  
OVERHEAD HALF TOWERS



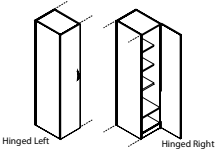
PAGE 124  
OVERHEAD HALF TOWERS



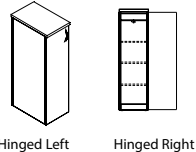
PAGE 125  
OVERHEAD BOOKCASES



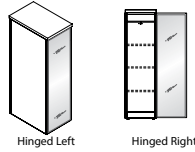
PAGE 126  
OVERHEAD BOOKCASES



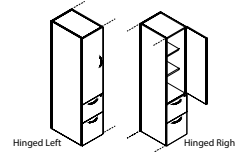
PAGE 127  
VERTICAL HALF TOWERS



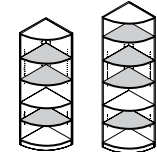
PAGE 128  
WORKCENTER 54" H HALF TOWER  
COMPONENTS



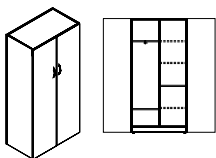
PAGE 129  
WORKCENTER 54" H HALF TOWER  
COMPONENTS



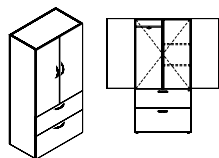
PAGE 130  
VERTICAL HALF TOWERS



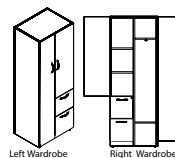
PAGE 131  
VERTICAL HALF TOWERS



PAGE 132  
VERTICAL FULL TOWERS



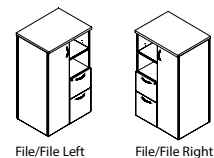
PAGE 133  
VERTICAL FULL TOWERS



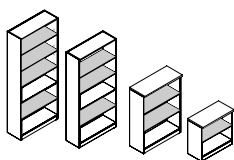
PAGE 134  
VERTICAL FULL TOWERS



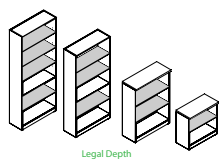
PAGE 135  
WORKCENTER 54" FULL TOWER  
COMPONENTS



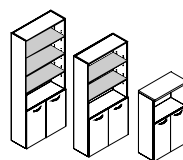
PAGE 136  
WORKCENTER 54" FULL TOWER  
COMPONENTS



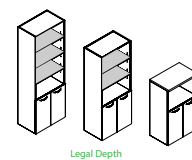
PAGE 137  
BOOKCASES



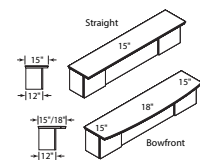
PAGE 138  
BOOKCASES



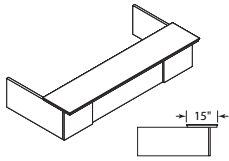
PAGE 139  
BOOKCASES



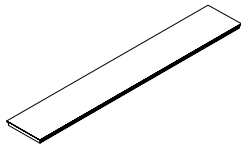
PAGE 140  
BOOKCASES



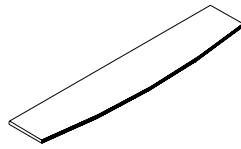
PAGE 141  
SIT-ON RECEPTION COUNTERS



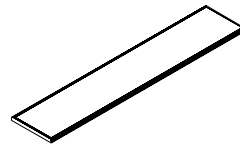
PAGE 142  
SIT-ON RECEPTION COUNTERS



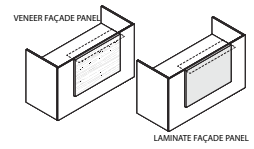
PAGE 143  
RECEPTION DESK COUNTERTOPS



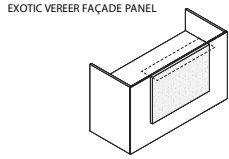
PAGE 144  
RECEPTION DESK COUNTERTOPS



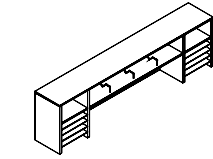
PAGE 145  
RECEPTION DESK COUNTERTOPS



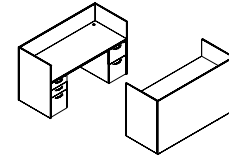
PAGE 146  
RECEPTION FACADE PANEL  
COUNTERS



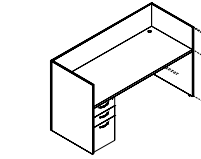
PAGE 147  
RECEPTION FACADE PANEL  
COUNTERS



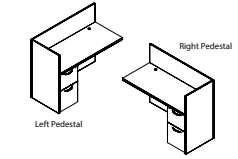
PAGE 148  
SIT-ON ORGANIZERS



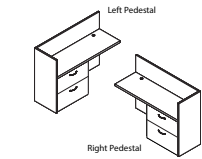
PAGE 149  
RECEPTION DESK



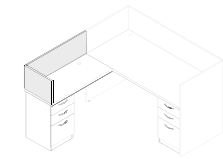
PAGE 150  
RECEPTION DESK



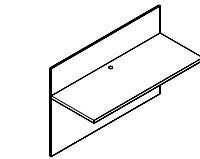
PAGE 151  
RECEPTION RETURN



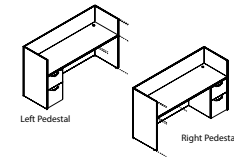
PAGE 152  
RECEPTION RETURN



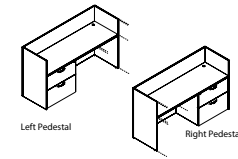
PAGE 153  
SIT-ON RECEPTION COUNTERS



PAGE 154  
RECEPTION BRIDGE



PAGE 155  
STANDARD RECEPTION "U"  
CREDENZAS



PAGE 156  
STANDARD RECEPTION "U"  
CREDENZAS





All DARRAN products are proudly manufactured in the U.S.A.

### BUILT TO ORDER

Manufactured per order the way you want it, including modifications.

### FULLY ASSEMBLED

Unless otherwise noted, all products are fully assembled and ready to use, including add-on options.

### PERFORMANCE TESTED

All products are tested to ensure performance exceeds BIFMA / ANSI standards.



### GREEN CERTIFIED

DARRAN has been committed to improving indoor air quality of office buildings since 1996. Since then, finish technology has allowed our commitment to continue with products that are air quality Certified Green.

DARRAN is proud to announce that all in veneer, laminate, and guest seating are MAS Certified Green for complying with the ANSI/BIFMA X 7.1 standard / LEED 4.5 Standard for low –VOC emitting Furniture.

MAS is an independent emission testing laboratory that is ISO 17025 compliant using ASTM, ANSI and CEN methods. MAS is a true 3rd party certification through NSF International to BIFMA standards and California's ARB formaldehyde standard. Certification of compliance under the Low – VOC emitting Furniture testing, qualifies products for LEED 4.5 credits.



### FINISH TECHNOLOGY

DARRAN has continued its partnership with AkzoNobel Chemicals ([www.akzonobel.com](http://www.akzonobel.com)) to develop a new finish technology further improving indoor air quality with a coating that meets today's environmental standards and supports LEED buildings.

ENVI-CT (Environmental Coatings Technology) utilizes advanced European finish technology to deliver a high-end furniture coating with superior performance in appearance and durability, allowing DARRAN to deliver more sustainable products to our customers.

#### *ENVI-CT Advantages:*

- › ENVI-CT is a re-engineered high performance Top Coat
- › Exceptional hardness and clarity
- › Highly resistant to solvents and chemicals
- › Plasticizer Migration resistant
- › Excellent UV inhibitors for maximum color resistance
- › Exceeds current and proposed future Federal and State air quality requirements
- › Field Repairable
- › Dynamic chamber emissions tested and certified compliant to ANSI/BIFMA X 7.1 Standard / LEED 4.5 Standard for low – VOC emitting furniture.
- › Standard with Anti-microbial additive.

### ADVANTAGES

DARRAN has upgraded the standard Anti-microbial protection, to , the latest in Silver Ion Technology. DARRAN collaborated with the world's leader in finishing materials, to formulate an additive that will inhibit the growth of mold, mildew, fungus and bacteria on wood surfaces. This additive infuses Silver Ions into DARRAN's ENVI-CT (Environmental Coatings Finish Technology), creating a protective surface for the life of the furniture. The best part - is standard on all DARRAN Caseloads for no additional fee.

**BAC GUARD  
SILVER™**

## LIMITED LIFETIME WARRANTY

DARRAN Furniture Industries, Inc. ("DARRAN") warrants that each piece of furniture manufactured in its North Carolina Facilities will be free from defects in material and workmanship for as long as the original purchaser owns and uses the product. Subject to the limitations and exclusions herein, DARRAN, at its discretion and as the sole remedy under the DARRAN Limited Lifetime Warranty, will replace or repair a defective product or components with comparable product or components free of charge. This warranty is made only to the original purchaser from an authorized DARRAN dealer, for as long as that original purchaser owns and uses the product.

### LIMITATIONS: USE / CARE

- › Warranty is limited to normal single shift use.
- › Warranty is limited to generally accepted care and maintenance of natural wood products and environments.
- › Natural wood surfaces are subject to denting, scratching, and gauging if not properly used and cared for. Warranty is subject to use and care in accordance with the use and care instructions provided in the Product Care section of this site (including, but not limited to, the care and maintenance guide downloads linked thereon), available at [www.darran.com/product-care](http://www.darran.com/product-care), which are incorporated herein by reference.

### LIMITATIONS: MATERIALS / COMPONENTS

- › Laminates, Veneers / Finishes - 10 Years
- › Electrical lamps, Ballasts, Transformers - 5 Years
- › Fabrics, Pneumatic lifts, Foam - 5 Years
- › Custom products built to customers specifications - 3 Years

### WARRANTY EXCLUSIONS

*Damage identified as carrier or installer related.*

- › Normal wear and tear of wood products during course of ownership.
- › Color, grain, or texture of natural wood materials, laminates, and other covering materials.
- › Damages or failures resulting from misuse, abuse, negligence, improper care, modifications, or relocation.
- › Non Commercial use or locations.
- › So-called "ghost" indentions and similar damage caused by the failure to use appropriate desk or writing pads.

All Warranty Claims are subject to DARRAN-approved inspections. Disputes may involve independent third-party evaluation

### QUALITY ASSURANCE

DARRAN manufactures in accordance with the standards set by Architectural Woodwork Institute (AWI) for Quality Standards.

Every unit produced at DARRAN is completely inspected by an independent quality control team located within each plant whose emphasis is on assembly, finish, and final inspections with empowerment to stop any unit not meeting DARRAN's high quality standards.

### LIGHT AND NATURAL FINISHES

The beauty of veneer and all wood products comes from the variations created by nature including color, grain, and texture.

These variations are not considered defects and DARRAN's Limited Lifetime Warranty does not cover color, grain and texture variations associated with natural wood and grain seen in any finish color. DARRAN sets standards for veneer selections; however, variations, especially apparent in light/natural finishes, will occur from one piece to another even if they are finished at the same time.

Finishes such as Clear Maple, Light/Gunstock Walnut, and Clear/Caramel Cherry will display more natural characteristics due to their light stain. Grain, pattern and color from unit to unit are not guaranteed or warranted and products will not be replaced due to these variations. Exposure to light and age will cause darkening of natural wood products; therefore DARRAN cannot guarantee or warrant finish match of new products being placed with existing products in the field.

### GLASS

Use of glass overlays on surfaces will void DARRAN's Limited Lifetime Warranty, unless the overlay is installed and maintained in strict accordance with DARRAN's instructions. If an overlay is to be used, please contact DARRAN for installation and maintenance instructions.

### GENERAL

Performance questions will be tested to generally accepted practices and AWI guidelines and standards for wood veneer furniture. To obtain performance of the Limited Lifetime Warranty, the purchaser should contact in writing the authorized DARRAN representatives or current dealer who sold the product to the purchaser or mail the warranty claim to:

Warranty Department  
DARRAN Furniture Industries, Inc.  
P.O. Box 7614  
High Point, NC 27264  
Telephone: 336-861-2400      Toll Free: 800-334-7891  
email: [warranty@darran.com](mailto:warranty@darran.com)

EXCEPT FOR THE LIMITED LIFETIME WARRANTY EXPRESSLY DESCRIBED HEREIN, DARRAN MAKES NO OTHER REPRESENTATION OR WARRANTY OF ANY KIND, EXPRESS OR IMPLIED. DARRAN MAKES NO WARRANTY OF MERCHANTABILITY OR FITNESS FOR A PARTICULAR PURPOSE, AND DARRAN WILL NOT UNDER ANY CIRCUMSTANCES BE LIABLE FOR ANY INCIDENTAL OR CONSEQUENTIAL DAMAGES, OR ANY INDIRECT OR SPECIAL DAMAGES.

### THE WARRANTY AS STATED ABOVE, SUPERSEDES ALL PREVIOUS WARRANTIES

**NO HASSLE FREIGHT DAMAGED MERCHANDISE**

DARRAN products are packed in specially designed cartons and padding that protects all edges and corners from damage. This is proven by an industry low damage rate of .0030% per total pieces shipped.

For qualified freight damage claims DARRAN will take responsibility for the claim and remedy processes including assuming total cost coverage from claim settlements.

(Some items may not qualify. Contact Factory for specific details.)

**QUALIFIED CLAIM CONDITIONS****VISIBLE CARTON DAMAGE**

1. Take digital pictures of the damaged carton and damaged furniture if visible damage is found upon delivery at the dock
2. Open all cartons with puncture or crushed corner damage.
3. Note any damage to the goods on the Carrier's freight bill as number of pieces damaged.

**CONCEALED DAMAGE**

1. Take digital pictures of the furniture as it sits partially unpacked. Also, photograph external and internal carton materials that correspond with the damaged area on the product.
2. Carton and damaged unit(s) must be located at the location matching the original delivery address for Carrier inspection.
3. Digital pictures must be provided of the damaged furniture and carton materials

For qualified claims per above contact DARRAN Customer Service Department at 1-800-334-7891 or complete DARRAN's online warranty report form within the 15 day limit. [www.darran.com/warrantyreport](http://www.darran.com/warrantyreport)

**NON-QUALIFIED CLAIM CONDITIONS**

1. Deliveries made to non-dock locations
2. Claims made after furniture is installed and/or removed from original delivery location
3. Carton and padding has been discarded
4. Carrier used was not DARRAN approved
5. Inspection reveals questionable damages

**REPLACEMENT ORDERS**

Replacement orders entered without replacement tagging or factory authorization is considered a new order without dispute, therefore full payment is expected and will be collected.

**RETURN SHIPMENTS**

DARRAN will not accept return of merchandise without a signed RA (return authorization) form.

DARRAN will specify the carrier to be used. Return bills of lading must be marked "Class 125" freight rate and a copy of the RA should be used as a packing list. All returns must be received by DARRAN within 30 days of the RA date or the products will be considered accepted by the customer.

All products being returned must be properly packed and protected to avoid freight damage. Whenever possible, use the original cartons in which the merchandise was shipped. Freight

damage, signs of usage, missing parts, etc., will result in an adjustment of any credit to be issued.

DARRAN will issue RA's for the following reasons:

1. Manufacturing defect (inspection required)
2. Order processing error by DARRAN
3. Shipping error
4. Mismarked carton / merchandise

**SPECIFICATION CHANGES**

We reserve the right to change without notice any dimension, style, or specification of any model in the DARRAN line. Dimensions shown in the price list are nominal. It is the buyer's responsibility to read specification carefully when matching existing goods is desired.

**MANUFACTURING DEFECTS**

Claims of manufacturing defects will not be entertained without prior consultation with DARRAN's warranty department. Unauthorized deduction in payment of invoices will not be allowed without prior factory approval. Unapproved deductions are subject to factor's late payment charges.

**DAMAGE CLAIMS**

Claims of manufacturing damage or freight damage reported as nicks, dents, scratches, etc. after installation of furniture will not be covered under warranty or freight claim.

**ATTENTION:** Damage claims involving glass or stone components must be inspected and damage noted on delivering freight bill to qualify for replacement.

**REPAIR CHARGES**

Factory authorization must be secured from DARRAN's warranty department prior to incurring repair charges. Warranty will utilize DARRAN's National Repair Service through the Furniture Medic Franchise ([www.furnituremedic.com](http://www.furnituremedic.com)).

Repair charge authorizations are based on:

- › Set travel rate
- › Average regional job rate
- › Factory set maximum repair time
- › Falsely reported defect claims are subject to local service charges being charged to dealer/distributor.

**FINISH MAINTENANCE**

Wood office furniture and wood finishes can retain their natural beauty for life if proper care is taken and a stable environment is provided. Fluctuations in humidity and temperature cause panels and solid wood components to expand and contract and may lead to panel warpage and finish "checking" or cracking. Prolonged exposure of furniture to dry heat during winter months should be avoided. Careful examination of interior wood trim may indicate a damaging dry environment. If open joints, splits and cracks are appearing in trimwork consult with a HVAC professional for appropriate remedy.

DARRAN finishes are field repairable should damage occur. Professional furniture repair services are recommended. Regular cleaning with a non-silicone polish is recommended.

## ORDERING

All orders should be emailed, mailed or transmitted by fax to:

DARRAN Furniture Industries, Inc.  
P.O. Box 7614  
High Point, NC 27264  
email: orders@darran.com  
Fax: 336-861-6485

DARRAN will only accept orders from authorized Dealers. All orders must be accurate and detailed. All Quick Ship orders must contain Quick Ship product ONLY. Orders should be separated and submitted according to lead time. Orders must contain Quick Ship code "QS" or have designated Quick Ship lead time to ensure correct order entry. Orders that contain multiple lead time products will be entered as one order and scheduled with the most extended lead time.

## CREDIT APPROVAL

All orders are subject to credit approval for open account. All new accounts must be approved by a local DARRAN Sales Representative and should submit current financial information and trade references to:

DARRAN Furniture Industries, Inc. ATTN: Credit Department  
P.O. Box 7614  
High Point, NC 27264  
Telephone: 336-861-2400 Toll Free: 800-334-7891  
Fax: 336-861-2512

Orders submitted without accounts pre-approval or credit approval are subject to acceptance with lead times scheduled only after approval dates.

## LEAD TIME SCHEDULE

DARRAN cannot assign a firm lead time until Credit approval and order accuracy are complete. Extended lead times due to credit or information delays are the responsibility of the Buyer.

## ORDER DELAY / HOLD

Due to the committed manufacturing cost on Quick Ship processes, DARRAN cannot delay or hold orders, either in process or after completion.

## CANCELLATION AND ORDER CHANGES - FEES

Acknowledged orders are considered firm orders and therefore not subject to cancellation or change. However, in the event we are able to stop an order prior to manufacturing process, we will consider cancellation or changes with a reprocessing fee of \$40.00 Net. Exceptions: Quickship orders cannot be changed or canceled after the 3rd business date after acknowledgment. Qualified changes/cancellations will be assessed a \$40.00 Net processing fee.

Changes or cancellation of order with special options or custom quoted items are also subject to additional material and vendor fee costs, plus a DARRAN special/custom reprocessing fee of \$100 NET.

## ORDER MOVEUPS

Should an original scheduled ship date need to be improved, the Factory must be contacted 15 business days prior to the desired ship date. Move ups are subject to schedule availability.

## ORDER ACKNOWLEDGMENT

Upon credit approval your order will be acknowledged and identified by an order number. When making reference to your order, please use this order number. Your acknowledgment is a detailed description of our interpretation of your order, pricing, shipping information, and estimated delivery date.

If you have not received an Acknowledgment within 10 Days of order issue, contact Customer Service immediately. All Quick Ship order acknowledgments will be faxed or emailed upon request to speed processing. Please read your acknowledgment carefully for correctness and notify DARRAN immediately of any discrepancies. Failure to notify relieves DARRAN from error liability.

Order acknowledgment is the final agreement between DARRAN and the customer superseding all previous communications regarding the order. DARRAN will not be responsible for errors made on orders placed by phone without written confirmation.

## SELLING INFORMATION

Possession of this price list does not in itself constitute the right to sell DARRAN products. DARRAN products are sold and distributed through authorized dealerships. Contact factory for a listing of local representatives and dealerships.

## INVOICE TERMS

Standard terms are NET 30 days. Finance charges of 1-1/2% will be added to delinquent accounts after 45 Days and for each 30 Days thereafter until paid.

Complaints involving newly received merchandise must be reported within 10 days from receipt to qualify for full invoice remittance suspension or term extension. Otherwise only items in dispute can be suspended from payment of invoice within terms.

## WAREHOUSE/STORAGE

DARRAN will determine order warehousing approvals on a case by case basis. Orders that can be accommodated will be limited to a max of 30 days storage and must be invoiced at time of storage. Orders that exceed factory storage capacity will be transferred to local storage facilities subject to current storage rates and handling-transit charges. Storage charges must be paid prior to order release to shipping.

**EXECUTIVE OFFICE & CONFERENCE ROOM  
FURNITURE**

**November 3, 2015 through November 2, 2020**

FSC Group 71

GSA CONTRACT NUMBER: GS-27F-001DA

Business Classification:

WBENC Certified Woman-Owned Small Business

DARRAN FURNITURE INDUSTRIES

2402 SHORE DRIVE

HIGH POINT, NC 27263

336.861.2400 FAX 336.861.6485

Business Classification:

Woman-Owned Small Business

On-line access to contract ordering information, terms and conditions, up-to-date pricing, and the option to create an electronic delivery order are available through GSA Advantage!, a menu driven database system. The INTERNET address for GSA Advantage is <http://www.fss.gsa.gov>

For more information on ordering from Federal Supply Schedules click on the FSS Schedules button at <http://www.fss.gsa.gov>

**1a. Special Item Number**

711-8: Executive Office Furniture

711-9: Executive Conference Room Furniture

711-11: Tables and Accessories

711-16: Upholstered Seating

711-18: Multi-purpose Seating

**2. Maximum Order Limitations:**

711-8 \$500,000

711-9 \$500,000

711-11 \$500,000

711-16 \$300,000

711-18 \$200,000

**3. Minimum Order: \$100**

**4. Geographic Coverage:** 48 Contiguous States and the District of Columbia

**5. Point of Production:** High Point, North Carolina (Randolph County)

**6. Discount:** Prices shown herein are List (Discount is 56.9% Off List)

**7. Quantity Discounts:**

• \$467,837 List to \$1,000,000 List = 59.70%

• \$1,000,001 List to \$1,315,789 List = 61.70%

**8. Payment Terms:** ½% - Net 15 Days, Net 30 Days

**8a. Terms and Conditions of Government Credit Card Acceptance:**

a. No discount allowed for payment by Government Purchase Card

b. Provide commercial credit card number

c. Provide commercial credit card expiration date

d. Provide individual's name as it appears on

credit card

e. Provide telephone number of individual to whom credit is issued

**9a. Government Purchase Cards are accepted below the Micro Purchase Threshold.**

**9b. Government Purchase Cards are accepted above the Micro Purchase Threshold.**

**10. Foreign Terms:** None

**11a. Time of Delivery:** Regular Product: 60 - 90 days after receipt of order

Quick Ship Program: Contact DARRAN

**11b. Quick Ship Program:** Items available for expedited delivery are included in main Price Lists.

**11c. Overnight and 2-day delivery:** N/A

**11d. Urgent Requirements:** Will be considered on an individual basis. Contact DARRAN for details.

**12. FOB Point:** All destinations are limited to Commercial docks only. Carriers may refuse non-dock deliveries.

**12a. Freight Prices:**

a. All prices shown are suggested list prices with freight included where indicated.

b. Freight allows delivery to one qualified destination.

c. Within the Continental USA, all orders above \$1,500 net are shipped FOB factory, freight prepaid and allowed. All orders less than \$1,500 net will be subject to a \$100 net freight charge.

**13. Ordering Address:**

DARRAN Furniture Industries

P.O. Box 7614

High Point, NC 27264

Ph: 800.334.7891

Fax: 336.861.6485

**13a. Payment Address:**

BB&T

P.O. Box 890011

Charlotte, NC 28289-0011

**14. Warranty Provision:** Limited Lifetime (Contact DARRAN for details)

**15. Export Packing Charges:** Quoted on request

**13. Terms and Conditions: Order Cancellation / Changes.**

Restocking/Returns: No merchandise may be returned without a return authorization and shipping instructions. No credit or allowance will be given for repairs to defective materials unless DARRAN has given authority to make such repairs. A restocking charge of 25% will apply.

Cancellation: No cost prior to production. After

## GSA CUSTOMER INFORMATION

production has begun, only actual cost incurred will be billed to the Government that cannot be recovered through resale in 6 months

**14. Terms and Condition of Rental, Maintenance and Repair: Consult the Factory.**

**15. Terms and Conditions of Installation:** Installation by a Third party to be quoted on a per job basis. The ordering must specify what ranges of installation services are required.

**16. Terms and Conditions of Repair Parts:** Contact DARRAN for details.

**17. List of Service and distribution points:** Contact DARRAN for details..

**18. Preventative Maintenance:** Information enclosed with product.

**19. List of Participating Dealers:** Contact DARRAN for details.

**23. Environmental Attributes:** DARRAN is compliant with EPA standards. All plywood core material is CARB 2 compliant and contains recycled content. All DARRAN Casegood Products are BIFMA Level 2 Certified. DARRAN is FSC CoC Certified and our products are MAS Certified for Indoor Air Quality.

**23a. Recyclable and Recycled Content Packaging:**

The corrugated packaging that is supplied to DARRAN, meets the federal mandate that requires the paperboard to be composed of 30%-50% recycled paper, and in some cases the recycled content is close to 100%.

**23b. Chemical Emission:** DARRAN finishes its products in an ENVI-CT Finish. (Environmental Coatings Technology). DARRAN's seating is finished with a low VOC Conversion Varnish and the casegoods are finished with a formaldehyde free, low VOC Urethane finish. These ENVI-CT finishes allow DARRAN's products to be MAS Certified Green under the ANSI BIFMA X7.1 Standard. Products assist with LEED 4.5 Credit.

**23c. Vapor Emissions:** DARRAN's ENVI-CT finishes use the latest environmental coatings technology to provide lasting durability and exceptional clarity with BACGUARD Silver anti-microbial protection built-in. The ENVI-CT finishes allows DARRAN casegoods to be MAS Certified Green meeting LEED Credit 4.5.

**24a. Duns Number:** 08-363-5318

**24b. Cage Code:** 0Y-6B6

**24c. Federal ID Number:** 56-117-1971

**24d. NAICS Code:** 337211

**25. SAM Network:** DARRAN is registered

## SHIPPING SCHEDULE

When requested, DARRAN will assist in locating special express carriers that may have short transit times. These services may exceed our prepaid freight costs; therefore, pricing is limited to the Freight Excluded formula with special express charges added to the invoice.

For special deliveries, DARRAN will make every effort to meet the appointed time; however DARRAN will not be responsible for any additional charges for late deliveries beyond our control.

## PRICES

- › All prices shown are suggested list prices with freight included where indicated.
- › Freight allows delivery to one qualified destination.
- › Within the Continental USA, all orders above \$1,500 net are shipped FOB factory, freight prepaid and allowed. All orders less than \$1,500 net will be subject to a \$100 net freight charge.

## CALL BEFORE DELIVERY REQUEST

DARRAN will arrange for carriers to call before delivery when requested.

Important Non-Qualified Destinations DARRAN Prepaid Freight Pricing does not include delivery to:

- › Residential Areas
- › Restricted Commercial Areas
- › No Dock Locations
- › Inside delivery/setup service

Orders received and installed without professional Furniture Installers voids all Warranty Coverage.

## CARRIER SELECTION

DARRAN selects and uses only carriers specialized in furniture transportation. Customer requested carriers can be authorized using Freight Excluded pricing with invoice add-on.

## SPECIFIC DELIVERY TIMES

DARRAN will assist in coordinating a requested delivery time from a carrier. DARRAN makes no guarantees and accepts no responsibility for such services as DARRAN has no control over possible carrier hazards. To ensure specific time arrival, we recommend arranging single stop, designated load carriers. Less than trailer load (LTL) shipments cannot be coordinated for a guaranteed delivery time.

## EXPRESS CARRIERS

When requested DARRAN will assist in locating special express carriers that may have short transit times. These services exceed our prepaid freight cost, therefore, pricing is limited to the Freight Excluded formula with special express charges added to invoice.

## FEATURES & ADVANTAGES

### VENEER AND HPL TOPS

Wood veneer tops and high-pressure laminate tops feature a M2 Grade, CARB2 MDF Core with balanced 3-ply construction. Tops are 1-5/16" thick on all veneer and HPL products except for the Rift Collection, which features 1-1/2" thick primary work surfaces. Tops are connected to chassis with steel angle brackets, wood cleats and dowels. DARRAN only uses HPVA A Grade Flat Cut Cherry, Maple, and Walnut Veneers that are book-matched and slip-matched. Rift-Cut White Oak and Quarter-Cut Ash are available as premium veneers. DARRAN's Rift Collection features a double-cut veneer in a rift-cut pattern for a clean linear aesthetic. Veneer tops feature shapeable MDF edges, 3/4", 1", or 3mm external solid hardwood bands based on collection and edge selection. HPL tops feature a laminate self edge, shapeable MDF edge, or a 3mm solid wood edge based on edge selection.

### TFL TOPS

Thermally Fused Laminate tops feature M2 Grade, CARB2 MDF Core with 3-ply balanced construction. Tops are 1-1/8" thick and feature a 2mm flat PVC edge band providing high impact durability. Tops are connected to chassis with steel angle brackets and dowels.

### CHASSIS & PEDESTAL CONSTRUCTION

All pedestals and chassis are constructed with 3/4" thick balanced 3-ply panels. Panels are securely fastened together using rails that are bored and doweled, glued, metal reinforcement brackets and wood cleat construction. Thick end panels are pre-bored to accept a tee nut for the adjustable glide and are reinforced with pvc banding to prevent glide tear out. Glue blocks are used where 3/4" thick panels are joined, bored for tee nut to accept adjustable glide.

### OVERHEAD CABINET CONSTRUCTION

(FREESTANDING AND WALL MOUNT)

Freestanding Overhead storage cabinets are constructed of 1" and 3/4" thick balanced 3-ply panels. Panels are attached with cam fasteners in conjunction with dowels securely adhered with PVAc (white polyvinyl acetate) glue. All surface mount cabinets connect to work surface with anti-slip tape. Wall mount cabinets are mounted to the wall with steel "z" bracket attachment method using 5mm euro screws to attach to the back of the cabinet. All units ship with a steel "z" bracket. This bracket is mounted to the wall by field installers. Installers are responsible for selecting and supplying appropriate fasteners for wall conditions.

### BOOKCASE CONSTRUCTION

All chassis (sides, back, top and bottom panels) are constructed with 3/4" thick balanced 3-ply panels. Panels are attached with cam fasteners in conjunction with dowels securely adhered with PVAc (white polyvinyl acetate) glue. Shelves on all units are 3/4" thick balance 3 ply panels. Optional heavy duty shelves are 1" thick lumber core balanced 5 ply construction.

### TACKBOARDS

Wall mount tackboards are constructed of .75" thick fiberboard.

The fabric is precisely aligned and fitted to the tackboard with a sock on cover.

Overhead storage tackboards are constructed of .5" thick fiberboard. The fabric is precisely aligned and fitted to the tackboard and adhered to the rigid hardboard with staples.

### ADJUSTABLE GLIDES

Glides provide 1" of vertical leveling adjustment. Glide bottom is durable metal.

### DRAWERS

All drawers are constructed of four sides and a bottom, which are attached to a drawer front with screws for easy removal. Drawer fronts feature vertically matched veneer within each pedestal. Pencil trays are standard in all box drawers. Jamestown, Prado, Rift, and Spaces feature maple veneer 1/2" thick material for drawer sides, fronts and backs with a UV finish for maximum durability. Drawer bottoms are 7/32" thick 3-ply maple veneer. Drawer boxes are assemble at each corner with dowel joinery for maximum drawer strength. Capitol Park, Central Park, NSsq, Reception Park, and Richmond Park feature drawers that are 1/2" thick wood grained wrapped 5 sided miter-folded construction with 1/8" thick hardboard bottoms.

### SUSPENSIONS

All casegoods utilize cold rolled steel zinc plated high-grade drawer suspensions. All suspensions are warranted for the lifetime of the product. Box and File drawers are full extension, featuring steel ball bearings for a smoother quieter range of motion with soft close operation and are rated 100lbs. Lateral file drawers are a progressive action full extension suspension with the soft close operation and is rated at 150lbs. Lateral files include anti tip mechanism that will allow only one drawer at a time to be opened.

### HINGES

Units with doors include 95 degree swing hinges.

### FILING

Capitol Park, Central Park, NSsq, Reception Park, and Richmond Park feature a highly durable black plastic extrusion that is securely fastened into a route on top of the drawer to support hanging files. An adjustable crossbar is provided for all file drawers that enables legal/letter filing front to back or side-to-side based on the drawer size.

Jamestown, Prado, Rift, and Spaces feature metal file frames around the perimeter of the drawers with cross bars secured to the drawer sides to support hanging files. A metal adjustable cross bar is standard with all file drawers to support letter/legal filing front to back or side to side. File drawers have one adjustable cross bar and lateral files have two adjustable cross bars. See filing reference for details.

### LOCKS

Silver, black or bronze face locks are standard on all desks, credenzas, returns, and modular pedestals and match the color of the pull selection. Locks are optional on door storage, overhead storage, towers with doors and all door units. Each drawer pedestal is independently locked. Lock plugs are factory or field installed.

**KEYING**

Keying is available either factory or field installed. Factory installed keying is random.

**WIRE MANAGEMENT**

Wire management capabilities include standard and optional worksurface grommets. When grommets are standard or specified in a unit, wire channels under the surface are provided for organization and management of all communication wires and cords.

**GROMMETS**

Metal grommets are provided to match the drawer pull selection. Grommet is available in black, silver, white or antique brass. Must specify standard or non-standard location. Black plastic grommets are available as an option for vertical applications.

**ALUMINUM FRAME DOORS**

Extruded aluminum mitered frame is clear anodized silver aluminum. Frame is 7/8" thick and 1 3/4" high with an 8mm (5/16") visible frame. Frosted glass is standard and white glass is available as an option. Glass I inset within the frame.

**POWERPORTS**

A large selection of powerports are available and handle power, data, docking stations and communication. See options section for selection.

**LED TASKLIGHTS**

LED task lighting provides high efficiency, low energy lighting with long life. LED lights are encased in a silver aluminum alloy material with built in switch to turn the light on/off. Lights are factory installed.

*Product specifications listed below:*

- Diffuser creates a softer light and eliminates hot spots.
- Built in switch with dimmer control.
- 30w 12Vdc 120V (UL approved) power supply
- Can be "daisy chained" up to 30W
- 50,000 hour life

SIZE	VOLTAGE	WATTAGE	COLOR TEMP.	CRI
24" light	12Vdc	6.4	5000K	90
48" light	12Vdc	12.8	5000K	90
60" light	12Vdc	16	5000K	90



**FINISHES**

<b>"W" VENEER</b>	<b>"G" LAMINATE HPL TOPS</b>	<b>"M" THERMALLY FUSED LAMINATE</b>
WAC Amber Cherry .....	GAC Amber Cherry .....	N/A
WRC Caramel Cherry .....	N/A .....	N/A
WIC Crimson Cherry .....	GIC Crimson Cherry .....	N/A
WEC Ebony Cherry .....	N/A .....	N/A
WHC Honey Cherry .....	GHC Honey Cherry .....	MHC Honey Cherry
WOC Koko Cherry .....	GOC Koko Cherry .....	MOC Koko Cherry
WSC Scotch Cherry .....	N/A .....	N/A
WAM Alabaster Maple .....	GAM Alabaster Maple .....	N/A
WCM Clear Maple .....	GCM Clear Maple .....	N/A
WWM Wheat Maple .....	GWM Wheat Maple .....	N/A
WEW Executive Walnut .....	GEW Executive Walnut .....	N/A
WRW Gray Luster Walnut .....	GRW Gray Luster Walnut .....	N/A
WGW Gunstock Walnut .....	N/A .....	MGW Gunstock Walnut
WJW Judicial Walnut .....	N/A .....	N/A
WNW Natural Walnut .....	GNW Natural Walnut .....	N/A
WTW Studio Teak Walnut .....	GTW Studio Teak Walnut .....	MTW Studio Teak Walnut
WWP Full Fill Designer White .....	GWL Designer White .....	MWL Designer White

**HPL TOPS ON TFL PRODUCTS ADD 10% - AVAILABLE WITH FLAT EDGE ONLY**

Send 3x3 or larger finish chip for color match. Custom finish upcharge is 3% or \$250 Net (whichever is greater).

**FINISH**

ENVI-CT Green Certified European Technology Coatings Finish with Anti-microbial protection.

**VENEER AND HPL TOPS**

Wood veneer tops and high-pressure laminate tops feature a M2 Grade, CARB2 MDF Core with balanced 3-ply construction. Tops are 1-5/16" thick on all veneer and HPL products except for the Rift Collection, which features 1-1/2" thick primary worksurfaces. Tops are connected to chassis with steel angle brackets, wood cleats and dowels. DARRAN only uses HPVA A Grade Flat Cut Cherry, Maple, and Walnut Veneers that are book-matched and slip-matched. Rift-Cut White Oak and Quarter-Cut Ash are available as premium veneers. DARRAN's Rift Collection features a double-cut veneer in a rift-cut pattern for a clean linear aesthetic. Veneer tops feature shapeable MDF edges, 3/4", 1", or 3mm external solid hardwood bands based on collection and edge selection. HPL tops feature a laminate self edge, shapeable MDF edge, or a 3mm solid wood edge based on edge selection.

**TFL TOPS**

Thermally Fused Laminate tops feature M2 Grade, CARB2 MDF Core with 3-ply balanced construction. Tops are 1-1/8" thick and feature a 2mm flat PVC edge band providing high impact durability. Tops are connected to chassis with steel angle brackets and dowels.

**CHASSIS**

3/4" thick core, Medium Density Fiberboard (MDF) rated EPP/SCS/CARB-II material with 3 ply balanced construction. Pedestal and cabinets feature dowel construction reinforced with steel bracket plates, wood cleats, screws and glue. Exposed interiors feature finished veneer of same species as exterior faces. Panel molding standard on approach and end panels of all worksurface height units.

NOTE: All units are standard with 1" adjustable glides that allow for leveling of units.

**DRAWER FRONTS**

Drawer fronts are vertically matched in balanced sets. Doors feature vertical veneer bookmatched horizontally in sets of 2 / 4 and 6 doors.

All drawers and doors have traditional scallop profile edge shape. All tower fronts matched in vertical sets.

**DRAWERS**

Drawers feature mitre joint / dowel construction with a natural maple finish. All drawers extend 100% for full access on steel ball bearing slides with cushion in-out stops. Drawers have been tested and passed BIFMA 50,000 cycle test. File drawers feature 1/4" bottoms reinforced for heavy weight capacity. All drawers are guaranteed lifetime with free replacement warranty.

**OPTIONAL WOOD DRAWERS**

Optional hardwood veneer plywood drawers feature banded top and bottom edges for smoothness. Drawers are dowel joint construction with a UV cured finish over maple veneers, plus a lifetime free replacement guarantee.

Optional Wood Drawer (Any Size) – Option Code P33...\$40 List Price Per Drawer

**RANDOM LOCKS & KEYING (STANDARD)**

Locks are standard on all storage units below the worksurface. Random lock cores are installed at the factory. Some units may be shipped with the same key number. Locks are Silver, Black or Bronze and match pull finish unless specified.

- SRK: Random Silver Random Key - n/c
- BRK: Random Black Random Key - n/c
- ZRK: Random Bronze Random Key - n/c

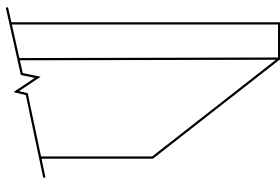
**FIELD INSTALLED LOCKS & KEYING (OPTION)**

Field installed lock option can be selected, each unit is shipped with an empty lock cylinder. A separate line item must be ordered to receive the numbered lock cores for field installation. Field installed locks are available at no additional charge. Specify Silver or Black Locks.

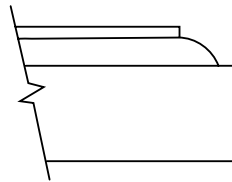
- SFK: Field Installed Silver Random Key - n/c
- BFK: Field Installed Black Random Key - n/c
- ZFK: Field Installed Bronze Random Key - n/c

**"W" & "G" STANDARD PROFILE**

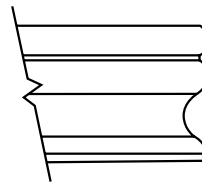
Central Park Edge for "W" and "G" Styles



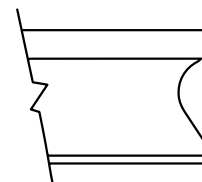
**LEDGE**  
3mm solid  
hardwood band



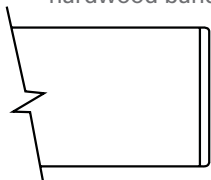
**CLASSIC**  
3mm solid  
hardwood band



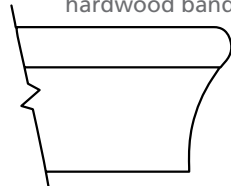
**COBEE**



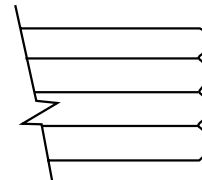
**COVE**



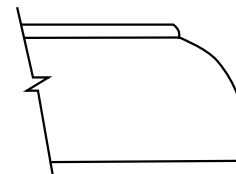
**FLAT**  
3mm solid  
hardwood band



**KNIFE**



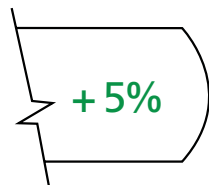
**REED**



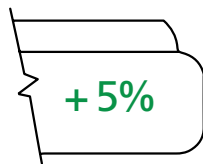
**WATERFALL**

**"W" PREMIUM PROFILE**

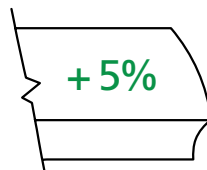
3/4" Hardwood Rim Band Species Same As Surface Veneer



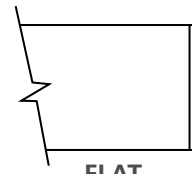
**BULLNOSE**



**OGEE**



**RADIUS**



**FLAT**  
2 mm PVC Edge

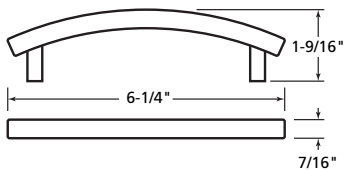
**"M" STANDARD PROFILE**

Central Park Edges for "M" Styles

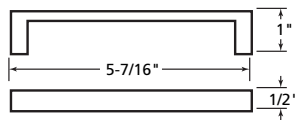
**PULLS/KNOBS**

Factory Installed

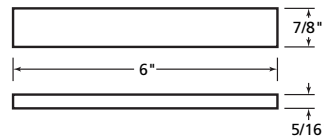
\$15 per pull on Overhead and Wall Hung units



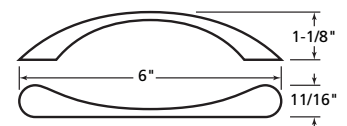
PL-112 Matte Black  
PL-113 Matte Nickel



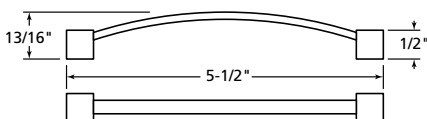
PL-115 Matte Black  
PL-116 Matte Nickel



PL-210 Anodized Aluminum



PL-105 Matte Black  
PL-106 Matte Nickel

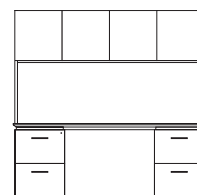


PL-125 Antique Pewter  
PL-126 Antique English  
PL-127 Matte Black



**SILVERLUMA  
FRAME  
DOORS**

Open with touch  
latch assist -  
without pulls



**OVERHEAD  
DOORS**

Open with door  
bottom overhang.  
Pulls available on  
request

**OPTIONAL GROMMETS**

Factory Installed

Grommets (Standard Location)

Specify Color and Left/Right/Center - \$45 ea.

- Black: TM30-R (Right), TM30-L (Left), TM30-C (Center)

- Silver: TM31-R (Right), TM31-L (Left), TM31-C (Center)

- Antique Brass: TM33-R (Right), TM33-L (Left), TM33-C (Center)

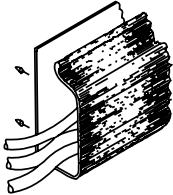
Grommets (Non-Standard Location)

Provide drawing w/ Grommet Location and Specify Color - \$90 ea.

- Black: TM30-NS

- Silver: TM31-NS

- Antique Brass: TM33-NS



Horizontal J-Channel wire management (Sku: W-1) is sold separately to conceal wire under worksurfaces.

W1



**GROMMETS (VERTICAL SURFACE)**

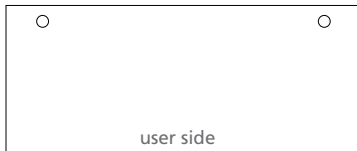
Standard Location - \$45 ea.

- Black Plastic Vertical Surface: TM50-C (Bottom Center)

Non-Standard Location - \$90 ea.

- Black Plastic Vertical Surface: TM50-NS

**STANDARD GROMMET LOCATION REFERENCE**



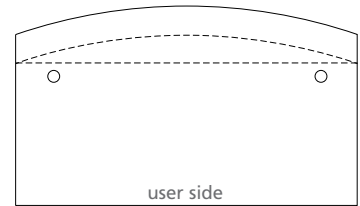
Desk

Specify Right or Left Grommet



6" Overhang Desk

Specify Right or Left Grommet



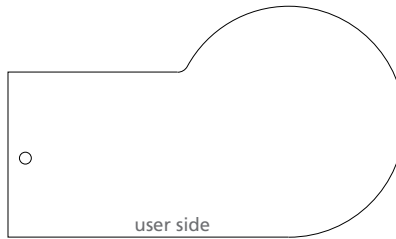
6" /12" Bow Front Desk

Specify Right or Left Grommet



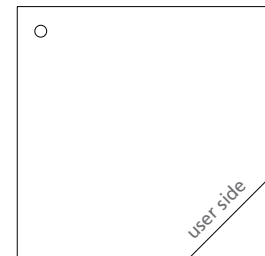
Bullet Conference Desk (Right Post)

Center Grommet



P Conference Desk (Right Post)

Center Grommet



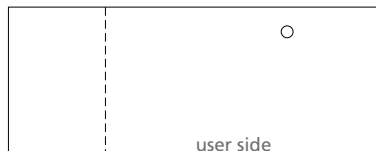
Corner

Center Grommet



Bridge

Center Grommet



Return (Left Pedestal Shown)

Right Pedestal - Left Grommet

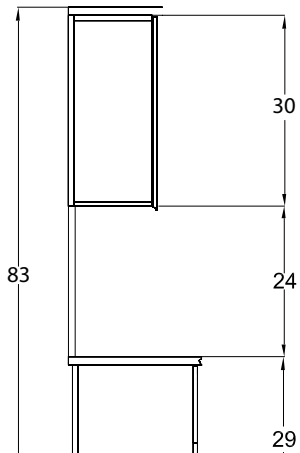
Left Pedestal - Right Grommet



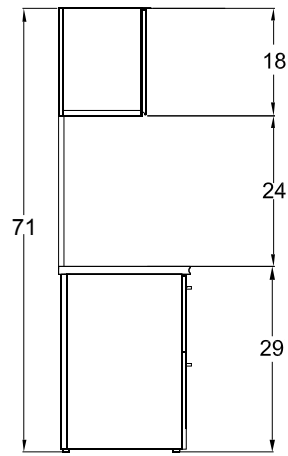
Workstation Credenza

Center Kneespace Grommet

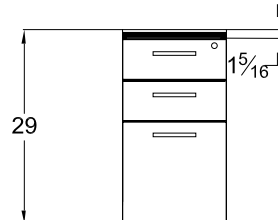
HEIGHT REFERENCE



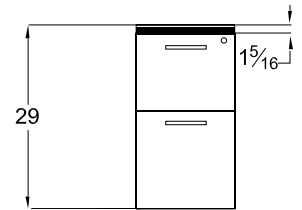
Typical Double Height Side Profile Wall Hung Overhead



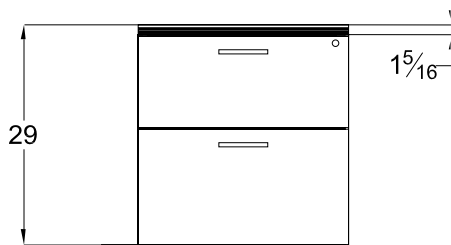
Typical Single Height Side Profile Wall Hung Overhead



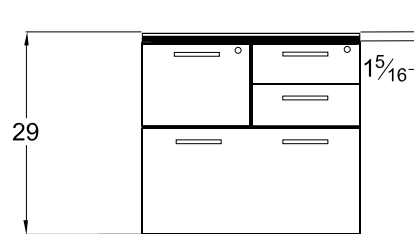
Pedestal Front Profile Box/Box/File



Pedestal Front Profile File/File

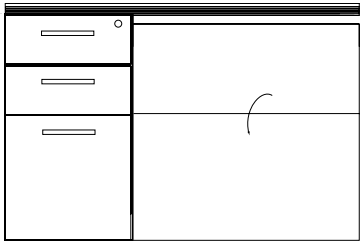


Pedestal Front Profile Lateral File



Pedestal Front Profile Multi-File

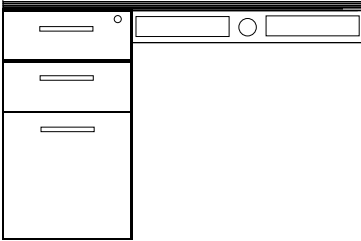
MODESTY REFERENCE



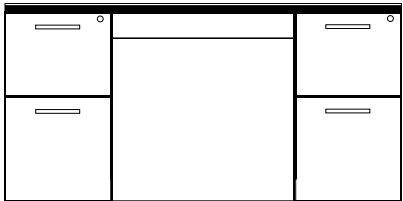
Top View



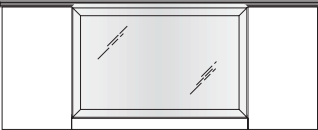
**M34**  
Drop Door Tech Modesty



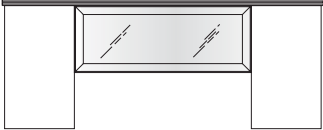
**M51**  
Open Back Modesty with 4" Wire Management Rail



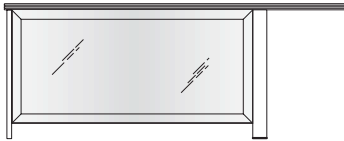
**M37**  
Fixed Full Modesty



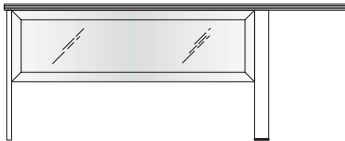
**M39**  
Full Modesty  
SilverLuma Frame w/ Frost Insert



**HM39**  
Half Modesty  
SilverLuma Frame w/ Frost Insert

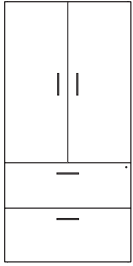


**M45**  
Full Modesty  
SilverLuma Frame w/ Frost Insert

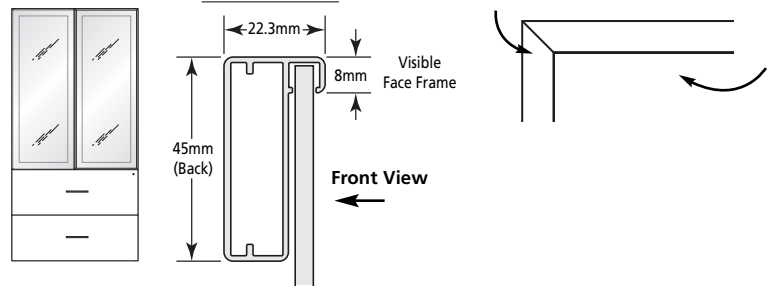


**HM45**  
Half Modesty  
SilverLuma Frame w/ Frost Insert

PANEL DOORS



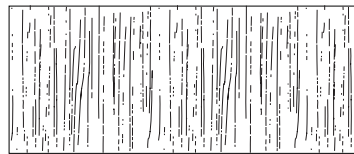
SILVERLUMA FRAME WITH FROSTED PANEL



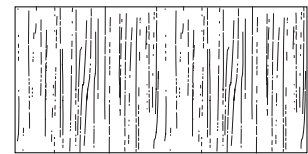
GRAIN DIRECTION



Desk



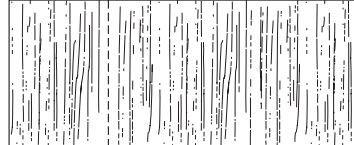
Runoff Desk  
Grain Direction on TFL Units  
Above 66" runs end to end



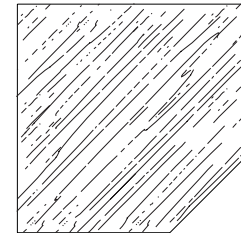
Bridge  
Grain Direction on TFL Units  
Above 66" runs end to end



Credenza



Return  
Grain Direction on TFL Units  
Above 66" runs end to end



Corner

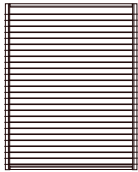
**INTERIOR DRAWER DIMENSIONS**

UNIT DEPTH	DRAWER TYPE	OVERALL DIMENSIONS			INTERIOR DRAWER DIMENSIONS			NOTES
		W	D	H	W	D	H	
15-5/8" Letter	36" Box	13-1/8	19-11/16	4	12-1/8	18-11/16	3-7/16	Units less than 72"
	36" File	13-1/8	19-11/16	9-13/16	12-1/8	18-11/16	9-5/16	Units less than 72"
	30" Box	13-1/8	19-11/16	4	12-1/8	18-11/16	3-7/16	Units less than 72"
	30" File	13-1/8	19-11/16	9-13/16	12-1/8	18-11/16	9-5/16	Units less than 72"
	24" Box	13-1/8	16-1/16	4	12-1/8	15-1/16	3-7/16	Units less than 72"
	24" File	13-1/8	16-1/16	9-13/16	12-1/8	15-1/16	9-5/16	Units less than 72"
29" Lateral	24" Box	26-1/2	16-1/16	4	25-1/2	15-1/16	3-7/16	Workstation Credenzas less than 82"
	24" File	26-1/2	16-1/16	9-13/16	25-1/2	15-1/16	9-5/16	Workstation Credenzas less than 82"
31" Lateral	24" File	28-9/16	16-1/16	9-13/16	27-9/16	15-1/16	9-5/16	Multi-File Lateral File
35" Lateral	24" Box	32-1/2	16-1/16	4	31-1/2	15-1/16	3-7/16	Workstation Credenzas over 83"
	24" File	32-1/2	16-1/16	9-13/16	31-1/2	15-1/16	9-5/16	Workstation Credenzas over 83"
41" Lateral	24" File	38-1/2	16-1/16	9-13/16	37-1/2	15-1/16	9-5/16	Wood Drawer Only

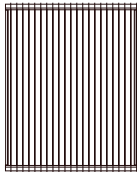
**FILING REFERENCE**

**FILING FOR 24" DEPTH UNITS**

13 1/8" Wide File Drawer - 16 1/16" Deep



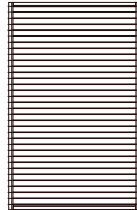
Letter Front to Back



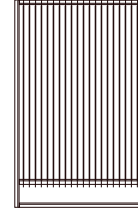
Legal Side to Side with File Rail

**FILING FOR 30" & 36" DEPTH UNITS**

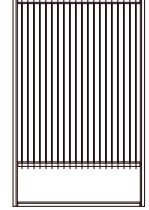
13 1/8" Wide File Drawer - 19 11/16" Deep



Letter Front to Back



Legal Side to Side with File Rail

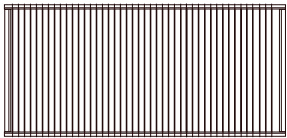


Letter Side to Side with File Rail

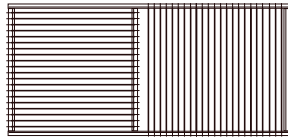
**29" AND 31" LATERAL FILE DRAWER**

29" : 26-1/2" Wide File Drawer - 16-1/16" Deep

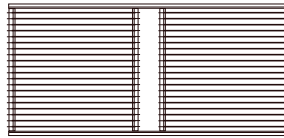
31" : 28 9/16" Wide File Drawer - 16-1/16" Deep



Legal Side to Side



Legal Side to Side  
Letter Front to Back with File Rail

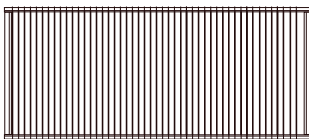


Letter Front to Back with File Rail

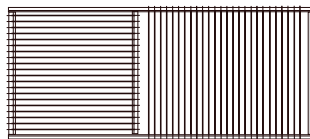
**35" AND 41" LATERAL FILE DRAWER**

35" : 32-1/2" Wide File Drawer - 16-1/16" Deep

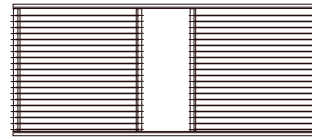
41" : 38-1/2" Wide File Drawer - 16 1/16" Deep



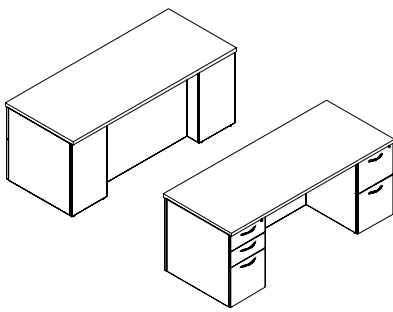
Legal Side to Side



Legal Side to Side  
Letter Front to Back with File Rail



Letter Front to Back with File Rail



**DOUBLE PEDESTAL DESK**

**STANDARD FEATURES**

- Box/Box/File (left)
- Breakfront chassis
- File/File (right)
- Legal/Letter filing
- Soft close suspension drawer(s)

**NOTES**

- All units are standard w/ flush ends
- Modesty is recessed 6"

[CLICK HERE TO VIEW PRODUCT INDEX](#)

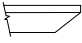

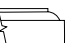



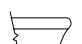



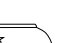
**1 SELECT A STYLE**

DIMENSIONS		STYLE NUMBER	LIST PRICE	STYLE NUMBER	LIST PRICE	STYLE NUMBER	LIST PRICE
"W" x D" x H"	WGT	"W" Veneer Top Veneer Chassis		"G" High Pressure Laminate Top Veneer Chassis		"M" Thermally Fused Laminate Top Thermally Fused Laminate Chassis	
84 x 36 x 29	345	CPC8436DD000W	3650	CPC8436DD000G	3650	CPC8436DD000M	2250
72 x 36 x 29	315	CPC7236DD000W	3292	CPC7236DD000G	3292	CPC7236DD000M	2205
72 x 30 x 29	300	CPC7230DD000W	3260	CPC7230DD000G	3260	CPC7230DD000M	1910
66 x 36 x 29	300	CPC6636DD000W	3270	CPC6636DD000G	3270	CPC6636DD000M	2190
66 x 30 x 29	270	CPC6630DD000W	3178	CPC6630DD000G	3178	CPC6630DD000M	1885
60 x 30 x 29	260	CPC6030DD000W	2992	CPC6030DD000G	2992	CPC6030DD000M	1860



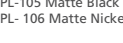
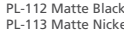
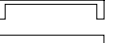
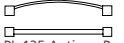


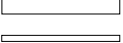

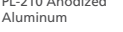
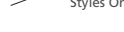
**2 SELECT A FINISH**

"W" Veneer	"G" HPL	"M" TFL	Finish
WAC	GAC	-	Amber Cherry
WRC	-	-	Caramel Cherry
WIC	GIC	-	Crimson Cherry
WEC	-	-	Ebony Cherry
WHC	GHC	MHC	Honey Cherry
WOC	GOC	MOC	KoKo Cherry
WSC	-	-	Scotch Cherry
WAM	GAM	-	Alabaster Maple
WCM	GCM	-	Clear Maple
WWM	GWM	-	Wheat Maple
WEW	GEW	-	Executive Walnut
WRW	GRW	-	Gray Luster Walnut
WGW	-	MGW	Gunstock Walnut
WJW	-	-	Judicial Walnut
WNW	GNW	-	Natural Walnut
WTW	GTW	MTW	Studio Teak Walnut
WWP	GWL	MWL	Designer White

**3 SELECT AN EDGE**

 "W" "G" Ledge	 "W" "G" Bullnose	 "W" "G" Classic
 "W" "G" Cobee	 "W" "G" Cove	 "W" "G" Flat 3 mm
 "W" "G" Knife	 "W" "G" Ogee	 "W" "G" Radius
 "W" "G" Reed	 "W" "G" Waterfall	

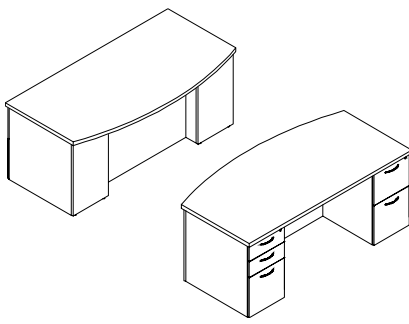
**4 SELECT HARDWARE**

 PL-105 Matte Black	 PL-112 Matte Black
 PL-106 Matte Nickel	 PL-113 Matte Nickel
 PL-115 Matte Black	 PL-125 Antique Pewter
 PL-116 Matte Nickel	 PL-126 Antique English
 PL-127 Matte Black	 Finger Pull
 PL-210 Anodized Aluminum	 "W" "G" Styles Only

**5 OPTIONS**

- ACCESSORIES**
- K28: Articulating Keyboard w/ Mouse - \$375
  - K31: Center drawer w/o skirt - \$195
- DRAWER**
- P6: Modify File/File to Box/Box/File - \$50 per pedestal
  - P33: Wood Drawer Upgrade - \$40 per drawer
  - WPD3061: Full fill designer white - \$75 per pedestal
- GROMMETS (STANDARD LOCATION)**
- Specify Color and Left/Right - \$45 ea.
- Black: TM30-R (Right), TM30-L (Left)
  - Silver: TM31-R (Right), TM31-L (Left)
  - Antique Brass: TM33-R (Right), TM33-L (Left)
- GROMMETS (NON-STANDARD LOCATION)**
- Provide drawing w/ grommet location and specify color - \$90 ea.
- Black: TM30-NS
  - Silver: TM31-NS
  - Antique Brass: TM33-NS
- MODESTY**
- M39: SilverLuma frame/frost (Full Modesty) - \$625
  - HM39: SilverLuma frame/frost (Half Modesty) - \$325





**BOWFRONT DOUBLE PEDESTAL DESK**

**STANDARD FEATURES**

- Box/Box/File (left)
- Breakfront chassis
- File/File (right)
- Legal/Letter filing
- Soft close suspension drawer(s)

**NOTES**

- All units are standard w/ flush ends
- Modesty is recessed 12"
- Overhang 6"

[CLICK HERE TO VIEW PRODUCT INDEX](#)

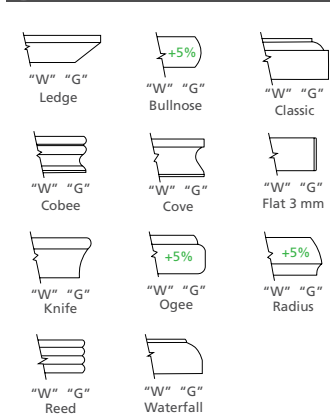
**1 SELECT A STYLE**

DIMENSIONS		STYLE NUMBER	LIST PRICE	STYLE NUMBER	LIST PRICE	STYLE NUMBER	LIST PRICE
"W" x D" x H"	WGT	"W" Veneer Top Veneer Chassis		"G" HPL High Pressure Laminate Top Veneer Chassis		"M" TFL Thermally Fused Laminate Top Thermally Fused Laminate Chassis	
84 x 36/42 x 29	360	CPC8442DD006W	4072	CPC8442DD006G	4072	CPC8442DD006M	2325
72 x 36/42 x 29	340	CPC7242DD006W	3715	CPC7242DD006G	3715	CPC7242DD006M	2280
72 x 30/36 x 29	335	CPC7236DD006W	3663	CPC7236DD006G	3663	CPC7236DD006M	1985
66 x 30/36 x 29	305	CPC6636DD006W	3510	CPC6636DD006G	3510	CPC6636DD006M	1935

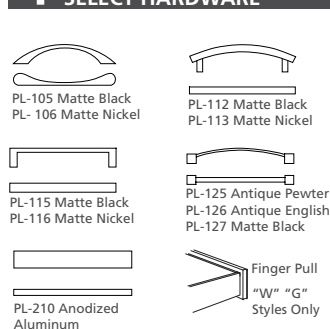
**2 SELECT A FINISH**

"W" Veneer	"G" HPL	"M" TFL	
WAC	GAC	-	Amber Cherry
WRC	-	-	Caramel Cherry
WIC	GIC	-	Crimson Cherry
WEC	-	-	Ebony Cherry
WHC	GHC	MHC	Honey Cherry
WOC	GOC	MOC	KoKo Cherry
WSC	-	-	Scotch Cherry
WAM	GAM	-	Alabaster Maple
WCM	GCM	-	Clear Maple
WWM	GWM	-	Wheat Maple
WEW	GEW	-	Executive Walnut
WRW	GRW	-	Gray Luster Walnut
WGW	-	MGW	Gunstock Walnut
WJW	-	-	Judicial Walnut
WNW	GNW	-	Natural Walnut
WTW	GTW	MTW	Studio Teak Walnut
WWP	GWL	MWL	Designer White

**3 SELECT AN EDGE**

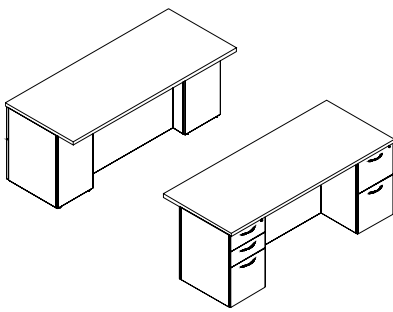


**4 SELECT HARDWARE**



**5 OPTIONS**

- ACCESSORIES**
- K28: Articulating Keyboard w/ Mouse - \$375
  - K31: Center drawer w/o skirt - \$195
- DRAWER**
- P6: Modify File/File to Box/Box/File - \$50 per pedestal
  - P33: Wood Drawer Upgrade - \$40 per drawer
  - WPD3061: Full fill designer white - \$75 per pedestal
- GROMMETS (STANDARD LOCATION)**
- Specify Color and Left/Right - \$45 ea.
- Black: TM30-R (Right), TM30-L (Left)
  - Silver: TM31-R (Right), TM31-L (Left)
  - Antique Brass: TM33-R (Right), TM33-L (Left)
- GROMMETS (NON-STANDARD LOCATION)**
- Provide drawing w/ grommet location and specify color - \$90 ea.
- Black: TM30-NS
  - Silver: TM31-NS
  - Antique Brass: TM33-NS
- MODESTY**
- M39: SilverLuma frame/frost (Full Modesty) - \$625
  - HM39: SilverLuma frame/frost (Half Modesty) - \$325



**CONFERENCE OVERHANG DOUBLE PEDESTAL DESK**

**STANDARD FEATURES**

- Box/Box/File (left)
- Breakfront chassis
- File/File (right)
- Legal/Letter filing
- Soft close suspension drawer(s)

**NOTES**

- All units are standard w/ flush ends
- Modesty is recessed 12"
- Overhang 6"

[CLICK HERE TO VIEW PRODUCT INDEX](#)

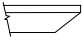

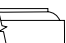



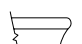



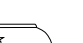
**1 SELECT A STYLE**

DIMENSIONS		STYLE NUMBER	LIST PRICE	STYLE NUMBER	LIST PRICE	STYLE NUMBER	LIST PRICE
W" x D" x H"	WGT	"W" Veneer Top Veneer Chassis		"G" HPL High Pressure Laminate Top Veneer Chassis		"M" TFL Thermally Fused Laminate Top Thermally Fused Laminate Chassis	
<b>72 x 30 Chassis</b>							
72 x 36 x 29	315	CPC7236DD037W	3153	CPC7236DD037G	3153	CPC7236DD037M	1985
<b>72 x 24 Chassis</b>							
72 x 30 x 29	300	CPC7230DD037W	3114	CPC7230DD037G	3114	CPC7230DD037M	1880
<b>66 x 30 Chassis</b>							
66 x 36 x 29	300	CPC6636DD037W	3130	CPC6636DD037G	3130	CPC6636DD037M	1935
<b>66 x 24 Chassis</b>							
66 x 30 x 29	280	CPC6630DD037W	2929	CPC6630DD037G	2929	CPC6630DD037M	1855




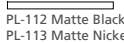
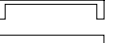
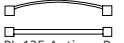
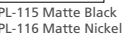

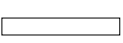


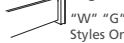
**2 SELECT A FINISH**

"W" Veneer	"G" HPL	"M" TFL	Finish
WAC	GAC	-	Amber Cherry
WRC	-	-	Caramel Cherry
WIC	GIC	-	Crimson Cherry
WEC	-	-	Ebony Cherry
WHC	GHC	MHC	Honey Cherry
WOC	GOC	MOC	KoKo Cherry
WSC	-	-	Scotch Cherry
WAM	GAM	-	Alabaster Maple
WCM	GCM	-	Clear Maple
WWM	GWM	-	Wheat Maple
WEW	GEW	-	Executive Walnut
WRW	GRW	-	Gray Luster Walnut
WGW	-	MGW	Gunstock Walnut
WJW	-	-	Judicial Walnut
WNW	GNW	-	Natural Walnut
WTW	GTW	MTW	Studio Teak Walnut
WWP	GWL	MWL	Designer White

**3 SELECT AN EDGE**

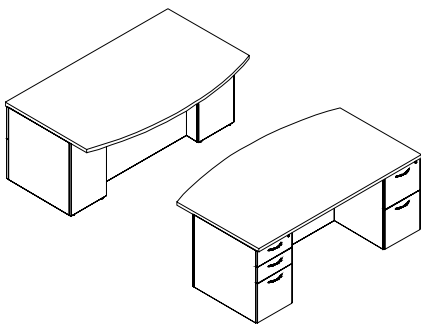
 "W" "G" Ledge	 "W" "G" Bullnose	 "W" "G" Classic
 "W" "G" Cobebe	 "W" "G" Cove	 "W" "G" Flat 3 mm
 "W" "G" Knife	 "W" "G" Ogee	 "W" "G" Radius
 "W" "G" Reed	 "W" "G" Waterfall	

**4 SELECT HARDWARE**

 PL-105 Matte Black	 PL-112 Matte Black
 PL-106 Matte Nickel	 PL-113 Matte Nickel
 PL-115 Matte Black	 PL-125 Antique Pewter
 PL-116 Matte Nickel	 PL-126 Antique English
 PL-127 Matte Black	 Finger Pull
 PL-210 Anodized Aluminum	 "W" "G" Styles Only

**5 OPTIONS**

- ACCESSORIES**
- K28: Articulating Keyboard w/ Mouse - \$375
  - K31: Center drawer w/o skirt - \$195
- DRAWER**
- P6: Modify File/File to Box/Box/File - \$50 per pedestal
  - P33: Wood Drawer Upgrade - \$40 per drawer
  - WPD3061: Full fill designer white - \$75 per pedestal
- GROMMETS (STANDARD LOCATION)**
- Specify Color and Left/Right - \$45 ea.
- Black: TM30-R (Right), TM30-L (Left)
  - Silver: TM31-R (Right), TM31-L (Left)
  - Antique Brass: TM33-R (Right), TM33-L (Left)
- GROMMETS (NON-STANDARD LOCATION)**
- Provide drawing w/ grommet location and specify color - \$90 ea.
- Black: TM30-NS
  - Silver: TM31-NS
  - Antique Brass: TM33-NS
- MODESTY**
- M39: SilverLuma frame/frost (Full Modesty) - \$625
  - HM39: SilverLuma frame/frost (Half Modesty) - \$325



**BOWFRONT CONFERENCE OVERHANG DOUBLE PEDESTAL DESK**

**STANDARD FEATURES**

- Box/Box/File (left)
- Breakfront chassis
- File/File (right)
- Full extension drawers - locking
- Legal/Letter filing
- Soft close suspension drawer(s)

- Overhang 12"

**NOTES**

- All units are standard w/ flush ends
- Modesty is recessed 18"

[CLICK HERE TO VIEW PRODUCT INDEX](#)












**1 SELECT A STYLE**

DIMENSIONS		STYLE NUMBER	LIST PRICE	STYLE NUMBER	LIST PRICE	STYLE NUMBER	LIST PRICE
W" x D" x H"	WGT	<b>"W"</b> Veneer Top Veneer Chassis		<b>"G"</b> High Pressure Laminate Top HPL Veneer Chassis		<b>"M"</b> Thermally Fused Laminate Top TFL Thermally Fused Laminate Chassis	
<b>72 x 30 Chassis</b>							
72 x 36/42 x 29	325	CPC7242DD043W	3599	CPC7242DD043G	3599	CPC7242DD043M	2060



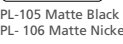
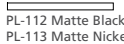
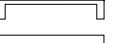
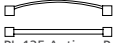
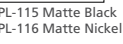

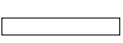


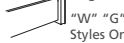
**2 SELECT A FINISH**

"W" Veneer	"G" HPL	"M" TFL	
WAC	GAC	-	Amber Cherry
WRC	-	-	Caramel Cherry
WIC	GIC	-	Crimson Cherry
WEC	-	-	Ebony Cherry
WHC	GHC	MHC	Honey Cherry
WOC	GOC	MOC	KoKo Cherry
WSC	-	-	Scotch Cherry
WAM	GAM	-	Alabaster Maple
WCM	GCM	-	Clear Maple
WWM	GWM	-	Wheat Maple
WEW	GEW	-	Executive Walnut
WRW	GRW	-	Gray Luster Walnut
WGW	-	MGW	Gunstock Walnut
WJW	-	-	Judicial Walnut
WNW	GNW	-	Natural Walnut
WTW	GTW	MTW	Studio Teak Walnut
WWP	GWL	MWL	Designer White

**3 SELECT AN EDGE**

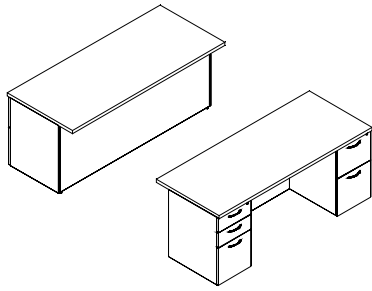
 "W" "G" Ledge	 "W" "G" Bullnose	 "W" "G" Classic
 "W" "G" Cobee	 "W" "G" Cove	 "W" "G" Flat 3 mm
 "W" "G" Knife	 "W" "G" Ogee	 "W" "G" Radius
 "W" "G" Reed	 "W" "G" Waterfall	

**4 SELECT HARDWARE**

 PL-105 Matte Black	 PL-112 Matte Black
 PL-106 Matte Nickel	 PL-113 Matte Nickel
 PL-115 Matte Black	 PL-125 Antique Pewter
 PL-116 Matte Nickel	 PL-126 Antique English
 PL-127 Matte Black	 Finger Pull
 PL-210 Anodized Aluminum	 "W" "G" Styles Only

**5 OPTIONS**

- ACCESSORIES**
- K28: Articulating Keyboard w/ Mouse - \$375
  - K31: Center drawer w/o skirt - \$195
- DRAWER**
- P6: Modify File/File to Box/Box/File - \$50 per pedestal
  - P33: Wood Drawer Upgrade - \$40 per drawer
  - WPD3061: Full fill designer white - \$75 per pedestal
- GROMMETS (STANDARD LOCATION)**
- Specify Color and Left/Right - \$45 ea.
- Black: TM30-R (Right), TM30-L (Left)
  - Silver: TM31-R (Right), TM31-L (Left)
  - Antique Brass: TM33-R (Right), TM33-L (Left)
- GROMMETS (NON-STANDARD LOCATION)**
- Provide drawing w/ grommet location and specify color - \$90 ea.
- Black: TM30-NS
  - Silver: TM31-NS
  - Antique Brass: TM33-NS
- MODESTY**
- M39: SilverLuma frame/frost (Full Modesty) - \$625
  - HM39: SilverLuma frame/frost (Half Modesty) - \$325



**FULL DOUBLE PEDESTAL DESK**

**STANDARD FEATURES**

- Box/Box/File (left)
- File/File (right)
- Legal/Letter filing
- Soft close suspension drawer(s)

**NOTES**

- All units are standard w/ flush ends
- Modesty is recessed 6"
- 36" units have 30" chassis
- 30" units have 24" chassis

[CLICK HERE TO VIEW PRODUCT INDEX](#)

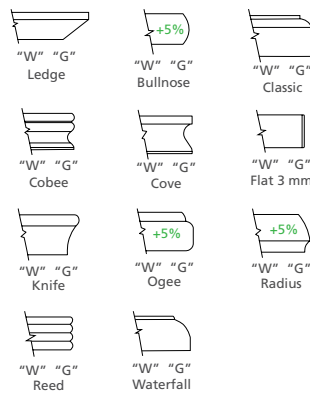
**1 SELECT A STYLE**

DIMENSIONS		STYLE NUMBER	LIST PRICE	STYLE NUMBER	LIST PRICE	STYLE NUMBER	LIST PRICE
W" x D" x H"	WGT	"W" Veneer Top Veneer Chassis		"G" High Pressure Laminate Top Veneer Chassis		"M" Thermally Fused Laminate Top Thermally Fused Laminate Chassis	
84 x 36 x 29	365	CPC8436DD032W	3495	CPC8436DD032G	3495	CPC8436DD032M	2200
72 x 36 x 29	330	CPC7236DD032W	3153	CPC7236DD032G	3153	CPC7236DD032M	1985
72 x 30 x 29	320	CPC7230DD032W	3045	CPC7230DD032G	3045	CPC7230DD032M	1880
66 x 36 x 29	315	CPC6636DD032W	3130	CPC6636DD032G	3130	CPC6636DD032M	1935
66 x 30 x 29	295	CPC6630DD032W	2929	CPC6630DD032G	2929	CPC6630DD032M	1855
60 x 30 x 29	275	CPC6030DD032W	2743	CPC6030DD032G	2743	CPC6030DD032M	1740

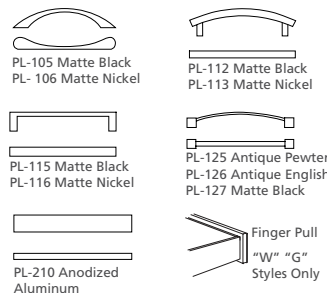
**2 SELECT A FINISH**

"W" Veneer	"G" HPL	"M" TFL	Finish
WAC	GAC	-	Amber Cherry
WRC	-	-	Caramel Cherry
WIC	GIC	-	Crimson Cherry
WEC	-	-	Ebony Cherry
WHC	GHC	MHC	Honey Cherry
WOC	GOC	MOC	KoKo Cherry
WSC	-	-	Scotch Cherry
WAM	GAM	-	Alabaster Maple
WCM	GCM	-	Clear Maple
WWM	GWM	-	Wheat Maple
WEW	GEW	-	Executive Walnut
WRW	GRW	-	Gray Luster Walnut
WGW	-	MGW	Gunstock Walnut
WJW	-	-	Judicial Walnut
WNW	GNW	-	Natural Walnut
WTW	GTW	MTW	Studio Teak Walnut
WWP	GWL	MWL	Designer White

**3 SELECT AN EDGE**



**4 SELECT HARDWARE**



**5 OPTIONS**

**ACCESSORIES**

- K28: Articulating Keyboard w/ Mouse - \$375
- K31: Center drawer w/o skirt - \$195

**DRAWER**

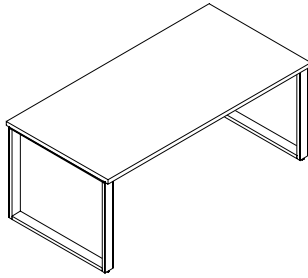
- P6: Modify File/File to Box/Box/File - \$50 per pedestal
- P33: Wood Drawer Upgrade - \$40 per drawer
- WPD3061: Full fill designer white - \$75 per pedestal

**GROMMETS (STANDARD LOCATION)**

- Specify Color and Left/Right - \$45 ea.
- Black: TM30-R (Right), TM30-L (Left)
- Silver: TM31-R (Right), TM31-L (Left)
- Antique Brass: TM33-R (Right), TM33-L (Left)

**GROMMETS (NON-STANDARD LOCATION)**

- Provide drawing w/ grommet location and specify color - \$90 ea.
- Black: TM30-NS
- Silver: TM31-NS
- Antique Brass: TM33-NS



**RECTANGLE WITH SLEIGH LEGS**

**STANDARD FEATURES**

- Metal sleigh base - standard silver finish

**NOTES**

- All units are standard w/ flush ends

[CLICK HERE TO VIEW PRODUCT INDEX](#)

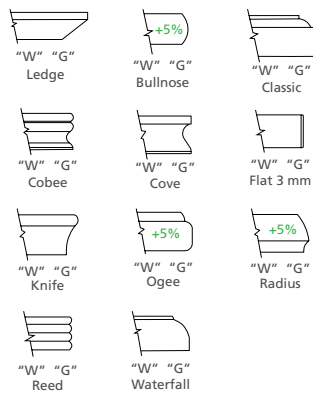
**1 SELECT A STYLE**

DIMENSIONS		STYLE NUMBER	LIST PRICE	STYLE NUMBER	LIST PRICE	STYLE NUMBER	LIST PRICE
W" x D" x H"	WGT	"W" Veneer Veneer Top Veneer Chassis		"G" HPL High Pressure Laminate Top Veneer Chassis		"M" TFL Thermally Fused Laminate Top Thermally Fused Laminate Chassis	
72 x 36 x 29	150	CPC7236DT099W	2575	CPC7236DT099G	2575	CPC7236DT099M	1620
72 x 30 x 29	135	CPC7230DT099W	2470	CPC7230DT099G	2470	CPC7230DT099M	1495
66 x 30 x 29	125	CPC6630DT099W	2435	CPC6630DT099G	2435	CPC6630DT099M	1475
60 x 30 x 29	115	CPC6030DT099W	2405	CPC6030DT099G	2405	CPC6030DT099M	1455

**2 SELECT A FINISH**

"W" Veneer	"G" HPL	"M" TFL	
WAC	GAC	-	Amber Cherry
WRC	-	-	Caramel Cherry
WIC	GIC	-	Crimson Cherry
WEC	-	-	Ebony Cherry
WHC	GHC	MHC	Honey Cherry
WOC	GOC	MOC	KoKo Cherry
WSC	-	-	Scotch Cherry
WAM	GAM	-	Alabaster Maple
WCM	GCM	-	Clear Maple
WWM	GWM	-	Wheat Maple
WEW	GEW	-	Executive Walnut
WRW	GRW	-	Gray Luster Walnut
WGW	-	MGW	Gunstock Walnut
WJW	-	-	Judicial Walnut
WNW	GNW	-	Natural Walnut
WTW	GTW	MTW	Studio Teak Walnut
WWP	GWL	MWL	Designer White
<b>METAL FINISHES</b>			
MFB	-	-	Black (Premium Finish)
MFS	-	-	Silver

**3 SELECT AN EDGE**

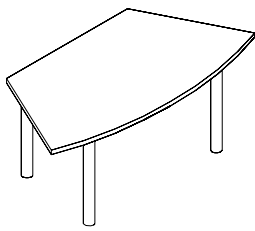


**5 OPTIONS**

- ACCESSORIES**
- K2: Center Drawer w/ Skirt - \$375
  - K28: Articulating Keyboard w/ Mouse - \$375
  - K31: Center drawer w/o skirt - \$195
- GROMMETS (STANDARD LOCATION)**  
Specify Color and Left/Right - \$45 ea.
- Black: TM30-R (Right), TM30-L (Left)
  - Silver: TM31-R (Right), TM31-L (Left)
  - Antique Brass: TM33-R (Right), TM33-L (Left)
- GROMMETS (NON-STANDARD LOCATION)**  
Provide drawing w/ grommet location and specify color - \$90 ea.
- Black: TM30-NS
  - Silver: TM31-NS
  - Antique Brass: TM33-NS
- MODESTY**
- HM45: SilverLuma frame/frost insert (half modesty) - \$395
  - MC51: Half veneer/laminate modesty - \$125
- PREMIUM FINISH OPTION**
- MFB: Black metal finish - \$95 per base

**4 SELECT HARDWARE**

Hardware Option Not Available



WEDGE TOP W/ ROUND LEGS

STANDARD FEATURES

- 3" Silver anodized aluminum round leg standard (Optional black leg - n/c)

[CLICK HERE TO VIEW PRODUCT INDEX](#)

**1 SELECT A STYLE**

DIMENSIONS		STYLE NUMBER	LIST PRICE	STYLE NUMBER	LIST PRICE	STYLE NUMBER	LIST PRICE
W" x D" x H"	WGT	"W" Veneer Top Veneer Chassis		"G" High Pressure Laminate Top Veneer Chassis		"M" Thermally Fused Laminate Top Thermally Fused Laminate Chassis	
72 x 36/42 x 29	150	CPC7242DT101W	2642	CPC7242DT101G	2642	CPC7242DT101M	1395
72 x 30/36 x 29	135	CPC7236DT101W	2578	CPC7236DT101G	2578	CPC7236DT101M	1265
66 x 30/36 x 29	125	CPC6636DT101W	2508	CPC6636DT101G	2508	CPC6636DT101M	1250

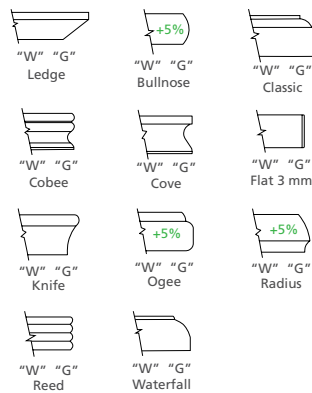
**2 SELECT A FINISH**

"W" Veneer	"G" HPL	"M" TFL	
WAC	GAC	-	Amber Cherry
WRC	-	-	Caramel Cherry
WIC	GIC	-	Crimson Cherry
WEC	-	-	Ebony Cherry
WHC	GHC	MHC	Honey Cherry
WOC	GOC	MOC	KoKo Cherry
WSC	-	-	Scotch Cherry
WAM	GAM	-	Alabaster Maple
WCM	GCM	-	Clear Maple
WWM	GWM	-	Wheat Maple
WEW	GEW	-	Executive Walnut
WRW	GRW	-	Gray Luster Walnut
WGW	-	MGW	Gunstock Walnut
WJW	-	-	Judicial Walnut
WNW	GNW	-	Natural Walnut
WTW	GTW	MTW	Studio Teak Walnut
WWP	GWL	MWL	Designer White

METAL FINISHES

MFB	-	-	Black
MFS	-	-	Silver

**3 SELECT AN EDGE**



**4 SELECT HARDWARE**

Hardware Option Not Available

**5 OPTIONS**

ACCESSORIES

- K2: Center Drawer w/ Skirt - \$375
- K28: Articulating Keyboard w/ Mouse - \$375
- W13: Vertical Wire Management Raceway for Round Table Legs - \$35 per piece

GROMMETS (STANDARD LOCATION)

- Specify Color and Left/Right - \$45 ea.
- Black: TM30-R (Right), TM30-L (Left)
- Silver: TM31-R (Right), TM31-L (Left)
- Antique Brass: TM33-R (Right), TM33-L (Left)

GROMMETS (NON-STANDARD LOCATION)

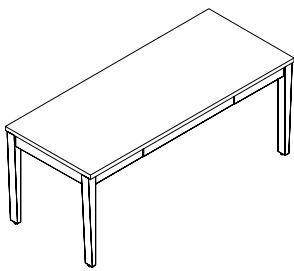
- Provide drawing w/ grommet location and specify color - \$90 ea.
- Black: TM30-NS
- Silver: TM31-NS
- Antique Brass: TM33-NS

LEG

- AL100P: Optional 3" square leg available (specify Black or Silver) - n/c

MODESTY

- CHM39W: Curved veneer panel w/ silver trim - \$395
- CHM39F: Curved frosted acrylic w/ silver trim - \$395



**RECTANGLE WITH CENTER DRAWER**

**STANDARD FEATURES**

- 3" Apron rail border
- Full extension drawers - locking
- Soft close suspension drawer(s)
- Solid hardwood legs w/ outside taper

[CLICK HERE TO VIEW PRODUCT INDEX](#)

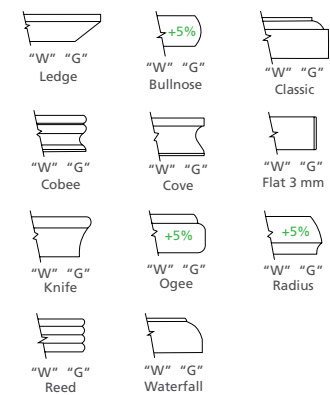
**1 SELECT A STYLE**

DIMENSIONS		STYLE NUMBER	LIST PRICE	STYLE NUMBER	LIST PRICE	STYLE NUMBER	LIST PRICE
W" x D" x H"	WGT	"W" Veneer Veneer Top Veneer Chassis		"G" HPL High Pressure Laminate Top Veneer Chassis		"M" TFL Thermally Fused Laminate Top Thermally Fused Laminate Chassis	
72 x 36 x 29	145	CPC7236DT107W	2374	CPC7236DT107G	2374	"M" Option N/A	
72 x 30 x 29	130	CPC7230DT107W	2310	CPC7230DT107G	2310	"M" Option N/A	
66 x 30 x 29	115	CPC6630DT107W	2240	CPC6630DT107G	2240	"M" Option N/A	
60 x 30 x 29	100	CPC6030DT107W	2176	CPC6030DT107G	2176	"M" Option N/A	

**2 SELECT A FINISH**

"W" Veneer	"G" HPL	"M" TFL	
WAC	GAC	-	Amber Cherry
WRC	-	-	Caramel Cherry
WIC	GIC	-	Crimson Cherry
WEC	-	-	Ebony Cherry
WHC	GHC	-	Honey Cherry
WOC	GOC	-	KoKo Cherry
WSC	-	-	Scotch Cherry
WAM	GAM	-	Alabaster Maple
WCM	GCM	-	Clear Maple
WWM	GWM	-	Wheat Maple
WEW	GEW	-	Executive Walnut
WRW	GRW	-	Gray Luster Walnut
GWG	-	MGW	Gunstock Walnut
WJW	-	-	Judicial Walnut
WNW	GNW	-	Natural Walnut
WTW	GTW	-	Studio Teak Walnut
WWP	GWL	-	Designer White

**3 SELECT AN EDGE**

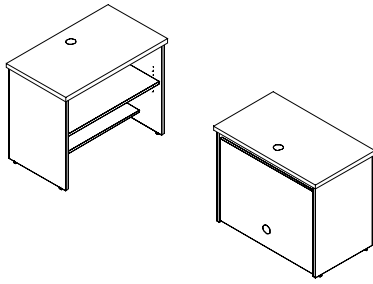


**4 SELECT HARDWARE**

Hardware Option Not Available

**5 OPTIONS**

- ACCESSORIES**
- W2A: Horizontal U-Channel Wire Management Raceway - \$75 per 4 foot section
- DRAWER**
- P33: Wood Drawer Upgrade - \$40 per drawer
  - WPD3061: Full fill designer white - \$75 per pedestal
- GROMMETS (STANDARD LOCATION)**
- Specify Color and Left/Right - \$45 ea.
- Black: TM30-R (Right), TM30-L (Left)
  - Silver: TM31-R (Right), TM31-L (Left)
  - Antique Brass: TM33-R (Right), TM33-L (Left)
- GROMMETS (NON-STANDARD LOCATION)**
- Provide drawing w/ grommet location and specify color - \$90 ea.
- Black: TM30-NS
  - Silver: TM31-NS
  - Antique Brass: TM33-NS



**CRT DESK / PRINTER**

**STANDARD FEATURES**

- 1 Standard grommet - matches pull finish or specify black TM30, silver TM31 or antique brass TM33
- 6" D Foot rest/adjustable storage shelf
- Paper/wire access back
- Vertical surface grommet - TM50 Black

**NOTES**

- All units are standard w/ flush ends

[CLICK HERE TO VIEW PRODUCT INDEX](#)

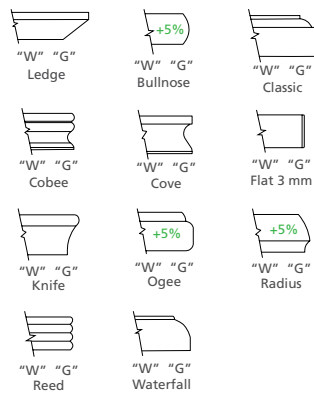
**1 SELECT A STYLE**

DIMENSIONS		STYLE NUMBER	LIST PRICE	STYLE NUMBER	LIST PRICE	STYLE NUMBER	LIST PRICE
W" x D" x H"	WGT	"W" Veneer Veneer Top Veneer Chassis		"G" HPL High Pressure Laminate Top Veneer Chassis		"M" TFL Thermally Fused Laminate Top Thermally Fused Laminate Chassis	
48 x 24 x 29	150	CPC4824AU225W	1366	CPC4824AU225G	1366	CPC4824AU225M	960
35 x 24 x 29	110	CPC3524AU225W	1277	CPC3524AU225G	1277	CPC3524AU225M	895
29 x 24 x 29	95	CPC2924AU225W	1187	CPC2924AU225G	1187	CPC2924AU225M	830

**2 SELECT A FINISH**

"W" Veneer	"G" HPL	"M" TFL	Finish
WAC	GAC	-	Amber Cherry
WRC	-	-	Caramel Cherry
WIC	GIC	-	Crimson Cherry
WEC	-	-	Ebony Cherry
WHC	GHC	MHC	Honey Cherry
WOC	GOC	MOC	KoKo Cherry
WSC	-	-	Scotch Cherry
WAM	GAM	-	Alabaster Maple
WCM	GCM	-	Clear Maple
WWM	GWM	-	Wheat Maple
WEW	GEW	-	Executive Walnut
WRW	GRW	-	Gray Luster Walnut
WGW	-	MGW	Gunstock Walnut
WJW	-	-	Judicial Walnut
WNW	GNW	-	Natural Walnut
WTW	GTW	MTW	Studio Teak Walnut
WWP	GWL	MWL	Designer White

**3 SELECT AN EDGE**



**4 SELECT HARDWARE**

Hardware Option Not Available

**5 OPTIONS**

**ACCESSORIES**

- K28: Articulating Keyboard w/ Mouse - \$375

**GROMMETS (NON-STANDARD LOCATION)**

Provide drawing w/ grommet location and specify color - \$90 ea.

- Black: TM30-NS
- Silver: TM31-NS
- Antique Brass: TM33-NS

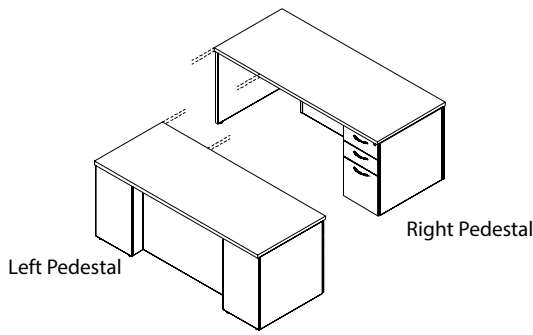
**GROMMETS (VERTICAL SURFACE)**

Non-Standard Location - \$90 ea.

- Black Plastic Vertical Surface: TM50-NS



DOUBLE BREAKFRONT / SINGLE PEDESTAL DESKS



SINGLE FULL PEDESTAL

STANDARD FEATURES

- Box/Box/File
- Full extension drawers - locking
- Hookup hardware
- Legal/Letter filing
- Soft close suspension drawer(s)

NOTES

- 6" Recessed Modesty
- All units are standard w/ flush ends

[CLICK HERE TO VIEW PRODUCT INDEX](#)

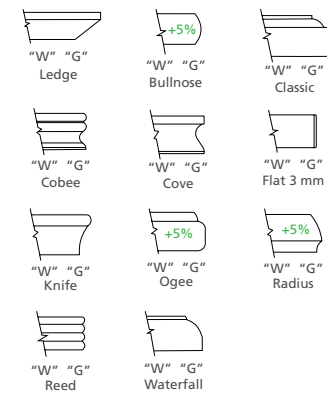
1 SELECT A STYLE

DIMENSIONS		STYLE NUMBER		LIST PRICE	STYLE NUMBER		LIST PRICE	STYLE NUMBER		LIST PRICE
W" x D" x H"	WGT	"W" Veneer	Veneer Top Veneer Chassis		"G" HPL	High Pressure Laminate Top Veneer Chassis		"M" TFL	Thermally Fused Laminate Top Thermally Fused Laminate Chassis	
<b>Left Pedestal</b>										
84 x 36 x 29	315	CPC8436DS009W		3350	CPC8436DS009G		3350	CPC8436DS009M		1970
72 x 36 x 29	275	CPC7236DS009W		3080	CPC7236DS009G		3080	CPC7236DS009M		1890
72 x 30 x 29	265	CPC7230DS009W		2974	CPC7230DS009G		2974	CPC7230DS009M		1665
66 x 36 x 29	265	CPC6636DS009W		3010	CPC6636DS009G		3010	CPC6636DS009M		1875
66 x 30 x 29	225	CPC6630DS009W		2904	CPC6630DS009G		2904	CPC6630DS009M		1625
60 x 30 x 29	200	CPC6030DS009W		2839	CPC6030DS009G		2839	CPC6030DS009M		1585
<b>Right Pedestal</b>										
84 x 36 x 29	315	CPC8436DS010W		3350	CPC8436DS010G		3350	CPC8436DS010M		1970
72 x 36 x 29	275	CPC7236DS010W		3080	CPC7236DS010G		3080	CPC7236DS010M		1890
72 x 30 x 29	265	CPC7230DS010W		2974	CPC7230DS010G		2974	CPC7230DS010M		1665
66 x 36 x 29	265	CPC6636DS010W		3010	CPC6636DS010G		3010	CPC6636DS010M		1875
66 x 30 x 29	225	CPC6630DS010W		2904	CPC6630DS010G		2904	CPC6630DS010M		1625
60 x 30 x 29	200	CPC6030DS010W		2839	CPC6030DS010G		2839	CPC6030DS010M		1585

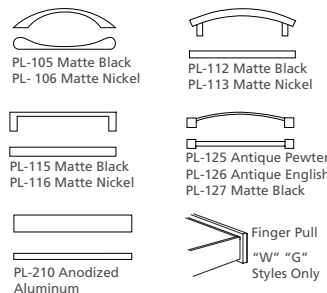
2 SELECT A FINISH

"W" Veneer	"G" HPL	"M" TFL	Finish
WAC	GAC	-	Amber Cherry
WRC	-	-	Caramel Cherry
WIC	GIC	-	Crimson Cherry
WEC	-	-	Ebony Cherry
WHC	GHC	MHC	Honey Cherry
WOC	GOC	MOC	KoKo Cherry
WSC	-	-	Scotch Cherry
WAM	GAM	-	Alabaster Maple
WCM	GCM	-	Clear Maple
WWM	GWM	-	Wheat Maple
WEW	GEW	-	Executive Walnut
WRW	GRW	-	Gray Luster Walnut
WGW	-	MGW	Gunstock Walnut
WJW	-	-	Judicial Walnut
WNW	GNW	-	Natural Walnut
WTW	GTW	MTW	Studio Teak Walnut
WWP	GWL	MWL	Designer White

3 SELECT AN EDGE



4 SELECT HARDWARE



5 OPTIONS

ACCESSORIES

- K28: Articulating Keyboard w/ Mouse - \$375
- K31: Center drawer w/o skirt - \$195

DRAWER

- P6: Modify Box/Box/File to File/File - \$50 per pedestal
- P33: Wood Drawer Upgrade - \$40 per drawer
- WPD3061: Full fill designer white - \$75 per pedestal

GROMMETS (STANDARD LOCATION)

- Specify Color and Left/Right - \$45 ea.
- Black: TM30-R (Right), TM30-L (Left)
- Silver: TM31-R (Right), TM31-L (Left)
- Antique Brass: TM33-R (Right), TM33-L (Left)

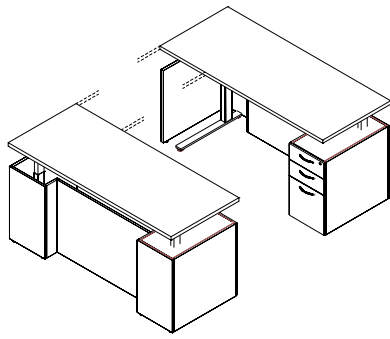
GROMMETS (NON-STANDARD LOCATION)

- Provide drawing w/ grommet location and specify color - \$90 ea.
- Black: TM30-NS
- Silver: TM31-NS
- Antique Brass: TM33-NS

MODESTY

- M39: SilverLuma frame/frost (Full Modesty) - \$625
- HM39: SilverLuma frame/frost (Half Modesty) - \$325

DOUBLE BREAKFRONT / SINGLE PEDESTAL DESKS



HEIGHT ADJUSTABLE SINGLE FULL PEDESTAL

STANDARD FEATURES

- Adjustable height from 29" to 47.5" with a maximum weight capacity of 250 lbs.
- Box/Box/File
- Electronic mechanism with programmable lift
- Full extension drawers - locking
- Height adjustable mechanism
- Hookup hardware
- Legal/Letter filing
- Soft close suspension drawer(s)

NOTES

- 6" Recessed Modesty
- All units are standard w/ flush ends

[CLICK HERE TO VIEW PRODUCT INDEX](#)

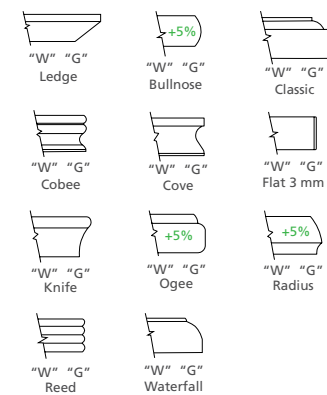
1 SELECT A STYLE

DIMENSIONS		STYLE NUMBER	LIST PRICE	STYLE NUMBER	LIST PRICE	STYLE NUMBER	LIST PRICE
"W" x D" x H"	WGT	"W" Veneer Veneer Top Veneer Chassis		"G" HPL High Pressure Laminate Top Veneer Chassis		"M" TFL Thermally Fused Laminate Top Thermally Fused Laminate Chassis	
<b>Left Pedestal</b>							
84 x 36 x 29-47.5	315	CPC8436DS742W	7635	CPC8436DS742G	7635	CPC8436DS742M	5825
72 x 36 x 29-47.5	275	CPC7236DS742W	7365	CPC7236DS742G	7365	CPC7236DS742M	5745
72 x 30 x 29-47.5	265	CPC7230DS742W	7085	CPC7230DS742G	7085	CPC7230DS742M	5345
66 x 36 x 29-47.5	265	CPC6636DS742W	7205	CPC6636DS742G	7205	CPC6636DS742M	5640
66 x 30 x 29-47.5	225	CPC6630DS742W	6930	CPC6630DS742G	6930	CPC6630DS742M	5220
60 x 30 x 29-47.5	200	CPC6030DS742W	6865	CPC6030DS742G	6865	CPC6030DS742M	5180
<b>Right Pedestal</b>							
84 x 36 x 29-47.5	315	CPC8436DS743W	7635	CPC8436DS743G	7635	CPC8436DS743M	5825
72 x 36 x 29-47.5	275	CPC7236DS743W	7365	CPC7236DS743G	7365	CPC7236DS743M	5745
72 x 30 x 29-47.5	265	CPC7230DS743W	7085	CPC7230DS743G	7085	CPC7230DS743M	5345
66 x 36 x 29-47.5	265	CPC6636DS743W	7205	CPC6636DS743G	7205	CPC6636DS743M	5640
66 x 30 x 29-47.5	225	CPC6630DS743W	6930	CPC6630DS743G	6930	CPC6630DS743M	5220
60 x 30 x 29-47.5	200	CPC6030DS743W	6865	CPC6030DS743G	6865	CPC6030DS743M	5180

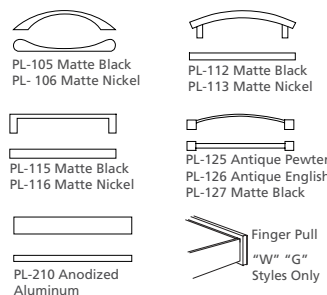
2 SELECT A FINISH

"W" Veneer	"G" HPL	"M" TFL	Finish
WAC	GAC	-	Amber Cherry
WRC	-	-	Caramel Cherry
WIC	GIC	-	Crimson Cherry
WEC	-	-	Ebony Cherry
WHC	GHC	MHC	Honey Cherry
WOC	GOC	MOC	KoKo Cherry
WSC	-	-	Scotch Cherry
WAM	GAM	-	Alabaster Maple
WCM	GCM	-	Clear Maple
WWM	GWM	-	Wheat Maple
WEW	GEW	-	Executive Walnut
WRW	GRW	-	Gray Luster Walnut
WGW	-	MGW	Gunstock Walnut
WJW	-	-	Judicial Walnut
WNW	GNW	-	Natural Walnut
WTW	GTW	MTW	Studio Teak Walnut
WWP	GWL	MWL	Designer White

3 SELECT AN EDGE



4 SELECT HARDWARE



5 OPTIONS

ACCESSORIES

- K28: Articulating Keyboard w/ Mouse - \$375
- K31: Center drawer w/o skirt - \$195

DRAWER

- P6: Modify Box/Box/File to File/File - \$50 per pedestal
- P33: Wood Drawer Upgrade - \$40 per drawer
- WPD3061: Full fill designer white - \$75 per pedestal

FLUSH FRONT CHASSIS

- MODCX: Breakfront chassis converted to flush front chassis - N/C

GROMMETS (STANDARD LOCATION)

- Specify Color and Left/Right - \$45 ea.
- Black: TM30-R (Right), TM30-L (Left)
- Silver: TM31-R (Right), TM31-L (Left)
- Antique Brass: TM33-R (Right), TM33-L (Left)

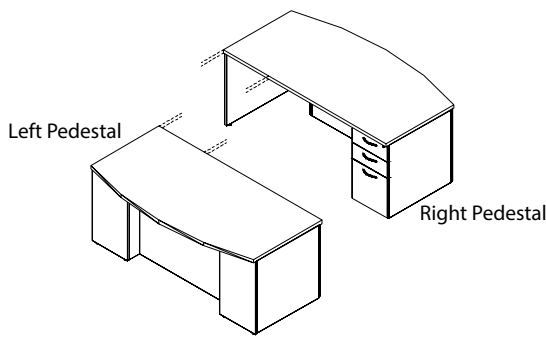
GROMMETS (NON-STANDARD LOCATION)

- Provide drawing w/ grommet location and specify color - \$90 ea.
- Black: TM30-NS
- Silver: TM31-NS
- Antique Brass: TM33-NS

MODESTY

- M39: SilverLuma Frame w/ Frost insert (full modesty) - \$625
- HM39: SilverLuma Frame w/ Frost insert (half modesty) - \$325

DOUBLE BREAKFRONT / SINGLE PEDESTAL DESKS



BOWFRONT SINGLE FULL PEDESTAL

STANDARD FEATURES

- Box/Box/File
- Full extension drawers - locking
- Hookup hardware
- Legal/Letter filing
- Soft close suspension drawer(s)

NOTES

- 12" Recessed Modesty
- All units are standard w/ flush ends

[CLICK HERE TO VIEW PRODUCT INDEX](#)

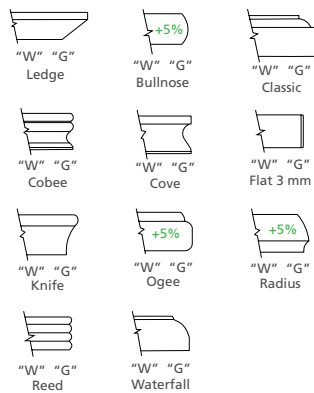
1 SELECT A STYLE

DIMENSIONS		STYLE NUMBER		LIST PRICE	STYLE NUMBER		LIST PRICE	STYLE NUMBER		LIST PRICE
W" x D" x H"	WGT	"W" Veneer	Veneer Top Veneer Chassis		"G" HPL	High Pressure Laminate Top Veneer Chassis		"M" TFL	Thermally Fused Laminate Top Thermally Fused Laminate Chassis	
<b>Left Pedestal</b>										
84 x 36/42 x 29	330	CPC8442DS017W		3715	CPC8442DS017G		3715	CPC8442DS017M		2045
72 x 36/42 x 29	295	CPC7242DS017W		3490	CPC7242DS017G		3490	CPC7242DS017M		1965
72 x 30/36 x 29	285	CPC7236DS017W		3440	CPC7236DS017G		3440	CPC7236DS017M		1740
66 x 30/36 x 29	270	CPC6636DS017W		3389	CPC6636DS017G		3389	CPC6636DS017M		1700
<b>Right Pedestal</b>										
84 x 36/42 x 29	330	CPC8442DS018W		3715	CPC8442DS018G		3715	CPC8442DS018M		2045
72 x 36/42 x 29	295	CPC7242DS018W		3490	CPC7242DS018G		3490	CPC7242DS018M		1965
72 x 30/36 x 29	285	CPC7236DS018W		3440	CPC7236DS018G		3440	CPC7236DS018M		1740
66 x 30/36 x 29	270	CPC6636DS018W		3389	CPC6636DS018G		3389	CPC6636DS018M		1700

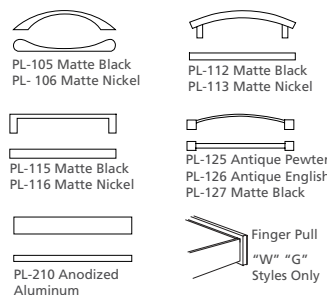
2 SELECT A FINISH

"W" Veneer	"G" HPL	"M" TFL	Finish
WAC	GAC	-	Amber Cherry
WRC	-	-	Caramel Cherry
WIC	GIC	-	Crimson Cherry
WEC	-	-	Ebony Cherry
WHC	GHC	MHC	Honey Cherry
WOC	GOC	MOC	KoKo Cherry
WSC	-	-	Scotch Cherry
WAM	GAM	-	Alabaster Maple
WCM	GCM	-	Clear Maple
WWM	GWM	-	Wheat Maple
WEW	GEW	-	Executive Walnut
WRW	GRW	-	Gray Luster Walnut
WGW	-	MGW	Gunstock Walnut
WJW	-	-	Judicial Walnut
WNW	GNW	-	Natural Walnut
WTW	GTW	MTW	Studio Teak Walnut
WWP	GWL	MWL	Designer White

3 SELECT AN EDGE



4 SELECT HARDWARE



5 OPTIONS

ACCESSORIES

- K28: Articulating Keyboard w/ Mouse - \$375
- K31: Center drawer w/o skirt - \$195

DRAWER

- P6: Modify Box/Box/File to File/File - \$50 per pedestal
- P33: Wood Drawer Upgrade - \$40 per drawer
- WPD3061: Full fill designer white - \$75 per pedestal

GROMMETS (STANDARD LOCATION)

- Specify Color and Left/Right - \$45 ea.
- Black: TM30-R (Right), TM30-L (Left)
- Silver: TM31-R (Right), TM31-L (Left)
- Antique Brass: TM33-R (Right), TM33-L (Left)

GROMMETS (NON-STANDARD LOCATION)

- Provide drawing w/ grommet location and specify color - \$90 ea.
- Black: TM30-NS
- Silver: TM31-NS
- Antique Brass: TM33-NS

MODESTY

- M39: SilverLuma Frame w/ Frost insert (full modesty) - \$625
- HM39: SilverLuma Frame w/ Frost insert (half modesty) - \$325

DOUBLE BREAKFRONT / SINGLE PEDESTAL DESKS

CONFERENCE OVERHANG SINGLE FULL PEDESTAL

STANDARD FEATURES

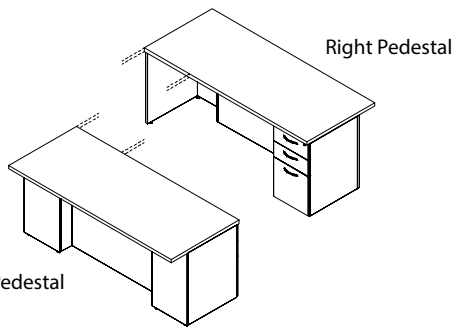
- Box/Box/File
- Full extension drawers - locking
- Hookup hardware
- Legal/Letter filing
- Soft close suspension drawer(s)

- All units are standard w/ flush ends

NOTES

- 12" Recessed Modesty
- 30"D Has 24"D Chassis
- 36"D Has 30"D Chassis

[CLICK HERE TO VIEW PRODUCT INDEX](#)



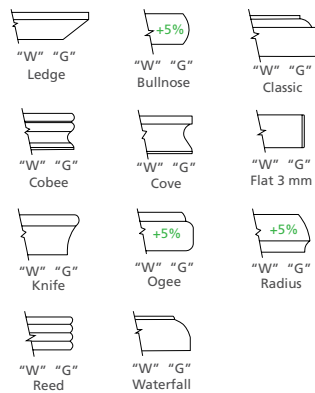
1 SELECT A STYLE

DIMENSIONS		STYLE NUMBER		LIST PRICE	STYLE NUMBER		LIST PRICE	STYLE NUMBER		LIST PRICE
W" x D" x H"	WGT	"W" Veneer	Veneer Top Veneer Chassis		"G" HPL	High Pressure Laminate Top Veneer Chassis		"M" TFL	Thermally Fused Laminate Top Thermally Fused Laminate Chassis	
<b>Left Pedestal</b>										
72 x 36 x 29	275	CPC7236DS634W		2980	CPC7236DS634G		2980	CPC7236DS634M		1740
72 x 30 x 29	255	CPC7230DS634W		2801	CPC7230DS634G		2801	CPC7230DS634M		1635
66 x 36 x 29	260	CPC6636DS634W		2910	CPC6636DS634G		2910	CPC6636DS634M		1700
66 x 30 x 29	225	CPC6630DS634W		2738	CPC6630DS634G		2738	CPC6630DS634M		1595
60 x 30 x 29	200	CPC6030DS634W		2642	CPC6030DS634G		2642	CPC6030DS634M		1555
<b>Right Pedestal</b>										
72 x 36 x 29	275	CPC7236DS633W		2980	CPC7236DS633G		2980	CPC7236DS633M		1740
72 x 30 x 29	255	CPC7230DS633W		2801	CPC7230DS633G		2801	CPC7230DS633M		1635
66 x 36 x 29	260	CPC6636DS633W		2910	CPC6636DS633G		2910	CPC6636DS633M		1700
66 x 30 x 29	225	CPC6630DS633W		2738	CPC6630DS633G		2738	CPC6630DS633M		1595
60 x 30 x 29	200	CPC6030DS633W		2642	CPC6030DS633G		2642	CPC6030DS633M		1555

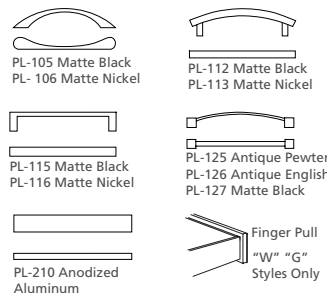
2 SELECT A FINISH

"W" Veneer	"G" HPL	"M" TFL	Finish
WAC	GAC	-	Amber Cherry
WRC	-	-	Caramel Cherry
WIC	GIC	-	Crimson Cherry
WEC	-	-	Ebony Cherry
WHC	GHC	MHC	Honey Cherry
WOC	GOC	MOC	KoKo Cherry
WSC	-	-	Scotch Cherry
WAM	GAM	-	Alabaster Maple
WCM	GCM	-	Clear Maple
WWM	GWM	-	Wheat Maple
WEW	GEW	-	Executive Walnut
WRW	GRW	-	Gray Luster Walnut
WGW	-	MGW	Gunstock Walnut
WJW	-	-	Judicial Walnut
WNW	GNW	-	Natural Walnut
WTW	GTW	MTW	Studio Teak Walnut
WWP	GWL	MWL	Designer White

3 SELECT AN EDGE



4 SELECT HARDWARE



5 OPTIONS

ACCESSORIES

- K28: Articulating Keyboard w/ Mouse - \$375
- K31: Center drawer w/o skirt - \$195

DRAWER

- P6: Modify Box/Box/File to File/File - \$50 per pedestal
- P33: Wood Drawer Upgrade - \$40 per drawer
- WPD3061: Full fill designer white - \$75 per pedestal

GROMMETS (STANDARD LOCATION)

- Specify Color and Left/Right - \$45 ea.
- Black: TM30-R (Right), TM30-L (Left)
- Silver: TM31-R (Right), TM31-L (Left)
- Antique Brass: TM33-R (Right), TM33-L (Left)

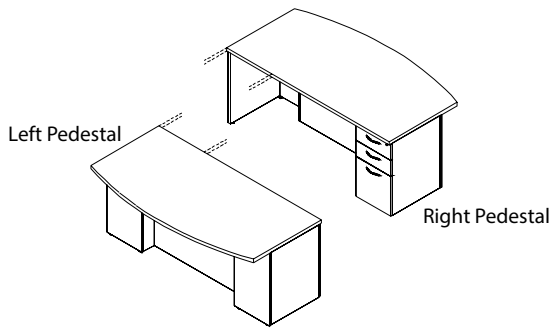
GROMMETS (NON-STANDARD LOCATION)

- Provide drawing w/ grommet location and specify color - \$90 ea.
- Black: TM30-NS
- Silver: TM31-NS
- Antique Brass: TM33-NS

MODESTY

- M39: SilverLuma Frame w/ Frost insert (full modesty) - \$625
- HM39: SilverLuma Frame w/ Frost insert (half modesty) - \$325

DOUBLE BREAKFRONT / SINGLE PEDESTAL DESKS



BOWFRONT CONFERENCE OVERHANG SINGLE FULL PEDESTAL

STANDARD FEATURES

- Box/Box/File
- Full extension drawers - locking
- Hookup hardware
- Legal/Letter filing
- Soft close suspension drawer(s)

- All units are standard w/ flush ends

NOTES

- 18" Recessed Modesty
- 36/42 has 30" D chassis
- 30/36 has 24" D chassis

[CLICK HERE TO VIEW PRODUCT INDEX](#)

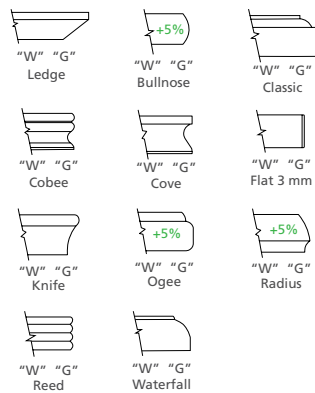
1 SELECT A STYLE

DIMENSIONS		STYLE NUMBER	LIST PRICE	STYLE NUMBER	LIST PRICE	STYLE NUMBER	LIST PRICE
W" x D" x H"	WGT	"W" Veneer Veneer Top Veneer Chassis		"G" HPL High Pressure Laminate Top Veneer Chassis		"M" TFL Thermally Fused Laminate Top Thermally Fused Laminate Chassis	
<b>Left Pedestal</b>							
72 x 36/42 x 29	285	CPC7242DS636W	3254	CPC7242DS636G	3254	CPC7242DS636M	1815
72 x 30/36 x 29	265	CPC7236DS636W	3185	CPC7236DS636G	3185	CPC7236DS636M	1710
66 x 30/36 x 29	245	CPC6636DS636W	3139	CPC6636DS636G	3139	CPC6636DS636M	1670
<b>Right Pedestal</b>							
72 x 36/42 x 29	285	CPC7242DS635W	3254	CPC7242DS635G	3254	CPC7242DS635M	1815
72 x 30/36 x 29	265	CPC7236DS635W	3185	CPC7236DS635G	3185	CPC7236DS635M	1710
66 x 30/36 x 29	245	CPC6636DS635W	3139	CPC6636DS635G	3139	CPC6636DS635M	1670

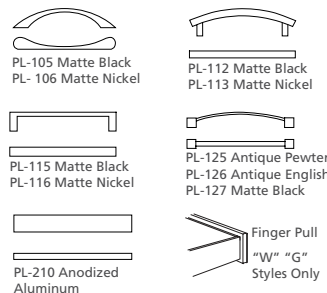
2 SELECT A FINISH

"W" Veneer	"G" HPL	"M" TFL	Finish
WAC	GAC	-	Amber Cherry
WRC	-	-	Caramel Cherry
WIC	GIC	-	Crimson Cherry
WEC	-	-	Ebony Cherry
WHC	GHC	MHC	Honey Cherry
WOC	GOC	MOC	KoKo Cherry
WSC	-	-	Scotch Cherry
WAM	GAM	-	Alabaster Maple
WCM	GCM	-	Clear Maple
WWM	GWM	-	Wheat Maple
WEW	GEW	-	Executive Walnut
WRW	GRW	-	Gray Luster Walnut
WGW	-	MGW	Gunstock Walnut
WJW	-	-	Judicial Walnut
WNW	GNW	-	Natural Walnut
WTW	GTW	MTW	Studio Teak Walnut
WWP	GWL	MWL	Designer White

3 SELECT AN EDGE



4 SELECT HARDWARE



5 OPTIONS

ACCESSORIES

- K28: Articulating Keyboard w/ Mouse - \$375
- K31: Center drawer w/o skirt - \$195

DRAWER

- P6: Modify Box/Box/File to File/File - \$50 per pedestal
- P33: Wood Drawer Upgrade - \$40 per drawer
- WPD3061: Full fill designer white - \$75 per pedestal

GROMMETS (STANDARD LOCATION)

- Specify Color and Left/Right - \$45 ea.
- Black: TM30-R (Right), TM30-L (Left)
- Silver: TM31-R (Right), TM31-L (Left)
- Antique Brass: TM33-R (Right), TM33-L (Left)

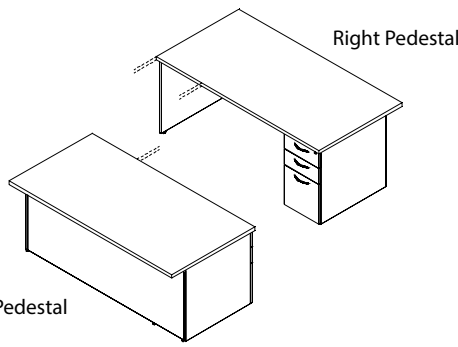
GROMMETS (NON-STANDARD LOCATION)

- Provide drawing w/ grommet location and specify color - \$90 ea.
- Black: TM30-NS
- Silver: TM31-NS
- Antique Brass: TM33-NS

MODESTY

- M39: SilverLuma Frame w/ Frost insert (full modesty) - \$625
- HM39: SilverLuma Frame w/ Frost insert (half modesty) - \$325

**FLUSH CHASSIS SINGLE PEDESTAL DESKS W/ OVERHANG TOP**



**SINGLE FULL PEDESTAL**

**STANDARD FEATURES**

- Box/Box/File
- Full extension drawers - locking
- Hookup hardware
- Soft close suspension drawer(s)

**NOTES**

- 30" D Has 24" D Chassis
- 36" D Has 30" D Chassis
- 6" Overhang
- All units are standard w/ flush ends

[CLICK HERE TO VIEW PRODUCT INDEX](#)

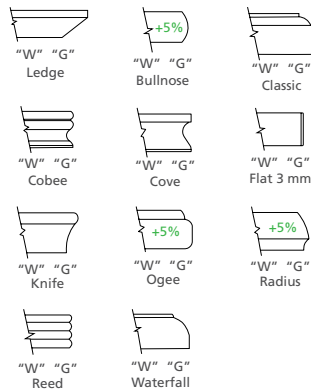
**1 SELECT A STYLE**

DIMENSIONS		STYLE NUMBER		LIST PRICE	STYLE NUMBER		LIST PRICE	STYLE NUMBER		LIST PRICE
W" x D" x H"	WGT	"W" Veneer	Veneer Top Veneer Chassis		"G" HPL	High Pressure Laminate Top Veneer Chassis		"M" TFL	Thermally Fused Laminate Top Thermally Fused Laminate Chassis	
<b>Left Pedestal</b>										
84 x 36 x 29	315	CPC8436DS640W		3115	CPC8436DS640G		3115	CPC8436DS640M		1955
72 x 36 x 29	275	CPC7236DS640W		2833	CPC7236DS640G		2833	CPC7236DS640M		1740
72 x 30 x 29	255	CPC7230DS640W		2801	CPC7230DS640G		2801	CPC7230DS640M		1635
66 x 36 x 29	255	CPC6636DS640W		2788	CPC6636DS640G		2788	CPC6636DS640M		1700
66 x 30 x 29	220	CPC6630DS640W		2738	CPC6630DS640G		2738	CPC6630DS640M		1595
60 x 30 x 29	200	CPC6030DS640W		2642	CPC6030DS640G		2642	CPC6030DS640M		1555
<b>Right Pedestal</b>										
84 x 36 x 29	315	CPC8436DS639W		3115	CPC8436DS639G		3115	CPC8436DS639M		1955
72 x 36 x 29	275	CPC7236DS639W		2833	CPC7236DS639G		2833	CPC7236DS639M		1740
72 x 30 x 29	255	CPC7230DS639W		2801	CPC7230DS639G		2801	CPC7230DS639M		1635
66 x 36 x 29	255	CPC6636DS639W		2788	CPC6636DS639G		2788	CPC6636DS639M		1700
66 x 30 x 29	220	CPC6630DS639W		2738	CPC6630DS639G		2738	CPC6630DS639M		1595
60 x 30 x 29	200	CPC6030DS639W		2642	CPC6030DS639G		2642	CPC6030DS639M		1555

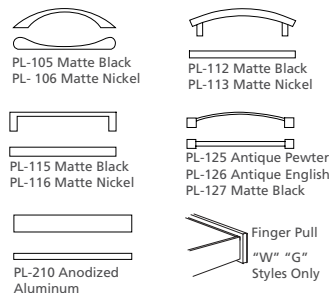
**2 SELECT A FINISH**

"W" Veneer	"G" HPL	"M" TFL	Finish
WAC	GAC	-	Amber Cherry
WRC	-	-	Caramel Cherry
WIC	GIC	-	Crimson Cherry
WEC	-	-	Ebony Cherry
WHC	GHC	MHC	Honey Cherry
WOC	GOC	MOC	KoKo Cherry
WSC	-	-	Scotch Cherry
WAM	GAM	-	Alabaster Maple
WCM	GCM	-	Clear Maple
WWM	GWM	-	Wheat Maple
WEW	GEW	-	Executive Walnut
WRW	GRW	-	Gray Luster Walnut
WGW	-	MGW	Gunstock Walnut
WJW	-	-	Judicial Walnut
WNW	GNW	-	Natural Walnut
WTW	GTW	MTW	Studio Teak Walnut
WWP	GWL	MWL	Designer White

**3 SELECT AN EDGE**



**4 SELECT HARDWARE**



**5 OPTIONS**

**ACCESSORIES**

- K28: Articulating Keyboard w/ Mouse - \$375
- K31: Center drawer w/o skirt - \$195

**DRAWER**

- P6: Modify Box/Box/File to File/File - \$50 per pedestal
- P33: Wood Drawer Upgrade - \$40 per drawer
- WPD3061: Full fill designer white - \$75 per pedestal

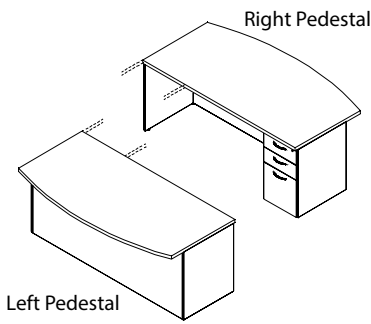
**GROMMETS (STANDARD LOCATION)**

- Specify Color and Left/Right - \$45 ea.
- Black: TM30-R (Right), TM30-L (Left)
- Silver: TM31-R (Right), TM31-L (Left)
- Antique Brass: TM33-R (Right), TM33-L (Left)

**GROMMETS (NON-STANDARD LOCATION)**

- Provide drawing w/ grommet location and specify color - \$90 ea.
- Black: TM30-NS
- Silver: TM31-NS
- Antique Brass: TM33-NS

FLUSH MODESTY SINGLE PEDESTAL DESKS



**BOWFRONT SINGLE FULL PEDESTAL**

**STANDARD FEATURES**

- Box/Box/File
- Full extension drawers - locking
- Hookup hardware
- Soft close suspension drawer(s)

**NOTES**

- Modesty is recessed 12"
- All units are standard w/ flush ends
- 36/42 has 30" D chassis
- 30/36 has 24" D chassis

[CLICK HERE TO VIEW PRODUCT INDEX](#)

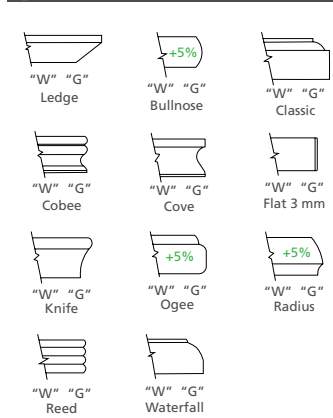
**1 SELECT A STYLE**

DIMENSIONS		STYLE NUMBER	LIST PRICE	STYLE NUMBER	LIST PRICE	STYLE NUMBER	LIST PRICE
W" x D" x H"	WGT	"W" Veneer Veneer Top Veneer Chassis		"G" HPL High Pressure Laminate Top Veneer Chassis		"M" TFL Thermally Fused Laminate Top Thermally Fused Laminate Chassis	
<b>Left Pedestal</b>							
84 x 36/42 x 29	330	CPC8442DS749W	3715	CPC8442DS749G	3715	CPC8442DS749M	2045
72 x 36/42 x 29	295	CPC7242DS749W	3490	CPC7242DS749G	3490	CPC7242DS749M	1965
72 x 30/36 x 29	295	CPC7236DS749W	3440	CPC7236DS749G	3440	CPC7236DS749M	1740
66 x 30/36 x 29	270	CPC6636DS749W	3389	CPC6636DS749G	3389	CPC6636DS749M	1700
<b>Right Pedestal</b>							
84 x 36/42 x 29	330	CPC8442DS748W	3715	CPC8442DS748G	3715	CPC8442DS748M	2045
72 x 36/42 x 29	295	CPC7242DS748W	3490	CPC7242DS748G	3490	CPC7242DS748M	1965
72 x 30/36 x 29	285	CPC7236DS748W	3440	CPC7236DS748G	3440	CPC7236DS748M	1740
66 x 30/36 x 29	270	CPC6636DS748W	3389	CPC6636DS748G	3389	CPC6636DS748M	1700

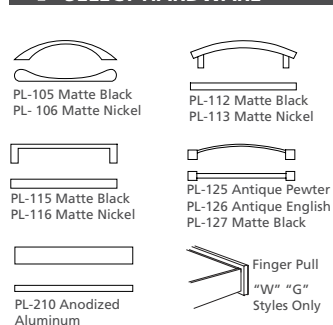
**2 SELECT A FINISH**

"W" Veneer	"G" HPL	"M" TFL	
WAC	GAC	-	Amber Cherry
WRC	-	-	Caramel Cherry
WIC	GIC	-	Crimson Cherry
WEC	-	-	Ebony Cherry
WHC	GHC	MHC	Honey Cherry
WOC	GOC	MOC	KoKo Cherry
WSC	-	-	Scotch Cherry
WAM	GAM	-	Alabaster Maple
WCM	GCM	-	Clear Maple
WWM	GWM	-	Wheat Maple
WEW	GEW	-	Executive Walnut
WRW	GRW	-	Gray Luster Walnut
WGW	-	MGW	Gunstock Walnut
WJW	-	-	Judicial Walnut
WNW	GNW	-	Natural Walnut
WTW	GTW	MTW	Studio Teak Walnut
WWP	GWL	MWL	Designer White

**3 SELECT AN EDGE**

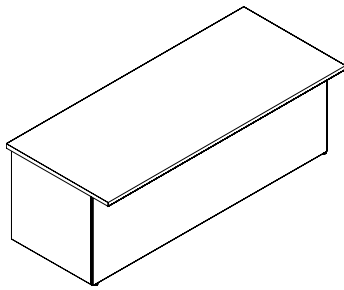


**4 SELECT HARDWARE**



**5 OPTIONS**

- ACCESSORIES**
- K28: Articulating Keyboard w/ Mouse - \$375
  - K31: Center drawer w/o skirt - \$195
- DRAWER**
- P6: Modify Box/Box/File to File/File - \$50 per pedestal
  - P33: Wood Drawer Upgrade - \$40 per drawer
  - WPD3061: Full fill designer white - \$75 per pedestal
- GROMMETS (STANDARD LOCATION)**
- Specify Color and Left/Right - \$45 ea.
- Black: TM30-R (Right), TM30-L (Left)
  - Silver: TM31-R (Right), TM31-L (Left)
  - Antique Brass: TM33-R (Right), TM33-L (Left)
- GROMMETS (NON-STANDARD LOCATION)**
- Provide drawing w/ grommet location and specify color - \$90 ea.
- Black: TM30-NS
  - Silver: TM31-NS
  - Antique Brass: TM33-NS



# CENTRAL PARK NON-HANDED DESK UNITS

## FLUSH MODESTY SHELL W/ OVERHANG TOP

### STANDARD FEATURES

- Fully Assembled
- Metal to metal fasteners

70%-80% vs. assembled units.

- Order freestanding pedestals under shell

### NOTES

- 6" Overhang
- All Top Edge Hookups Are Shape To Shape Only
- BUDGET TIP: Modular shell and non-attached pedestals reduce installation cost 50%-60% vs. pan/pedestal components requiring extensive assembly. Reconfiguration cost difference is

[CLICK HERE TO VIEW PRODUCT INDEX](#)

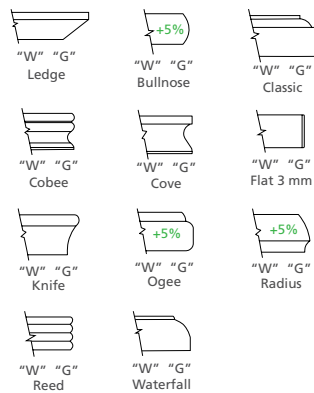
## 1 SELECT A STYLE

DIMENSIONS		STYLE NUMBER	LIST PRICE	STYLE NUMBER	LIST PRICE	STYLE NUMBER	LIST PRICE
W" x D" x H"	WGT	"W" Veneer Veneer Top Veneer Chassis		"G" HPL High Pressure Laminate Top Veneer Chassis		"M" TFL Thermally Fused Laminate Top Thermally Fused Laminate Chassis	
72 x 36 x 29	210	CPC7236DS896W	2132	CPC7236DS896G	2132	CPC7236DS896M	1180
72 x 30 x 29	200	CPC7230DS896W	2096	CPC7230DS896G	2096	CPC7230DS896M	990
66 x 30 x 29	190	CPC6630DS896W	2067	CPC6630DS896G	2067	CPC6630DS896M	960
60 x 30 x 29	175	CPC6030DS896W	2048	CPC6030DS896G	2048	CPC6030DS896M	930
54 x 30 x 29	150	CPC5430DS896W	2018	CPC5430DS896G	2018	CPC5430DS896M	900

## 2 SELECT A FINISH

"W" Veneer	"G" HPL	"M" TFL	Finish
WAC	GAC	-	Amber Cherry
WRC	-	-	Caramel Cherry
WIC	GIC	-	Crimson Cherry
WEC	-	-	Ebony Cherry
WHC	GHC	MHC	Honey Cherry
WOC	GOC	MOC	KoKo Cherry
WSC	-	-	Scotch Cherry
WAM	GAM	-	Alabaster Maple
WCM	GCM	-	Clear Maple
WWM	GWM	-	Wheat Maple
WEW	GEW	-	Executive Walnut
WRW	GRW	-	Gray Luster Walnut
WGW	-	MGW	Gunstock Walnut
WJW	-	-	Judicial Walnut
WNW	GNW	-	Natural Walnut
WTW	GTW	MTW	Studio Teak Walnut
WWP	GWL	MWL	Designer White

## 3 SELECT AN EDGE



## 4 SELECT HARDWARE

Hardware Option Not Available

## 5 OPTIONS

### ACCESSORIES

- K28: Articulating Keyboard w/ Mouse - \$375
- K31: Center drawer w/o skirt - \$195

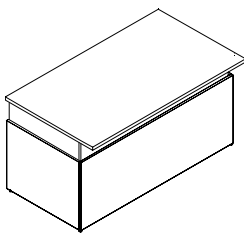
### GROMMETS (STANDARD LOCATION)

- Specify Color and Left/Right - \$45 ea.
- Black: TM30-R (Right), TM30-L (Left)
- Silver: TM31-R (Right), TM31-L (Left)
- Antique Brass: TM33-R (Right), TM33-L (Left)

### GROMMETS (NON-STANDARD LOCATION)

- Provide drawing w/ grommet location and specify color - \$90 ea.
- Black: TM30-NS
- Silver: TM31-NS
- Antique Brass: TM33-NS





**HEIGHT ADJUSTABLE OVERHANG**

**STANDARD FEATURES**

- Adjustable height from 29" to 47.5" with a maximum weight capacity of 250 lbs.
- All top edge hookups are shape to shape only
- Electronic mechanism with programmable lift
- Fully assembled
- Height adjustable shells are finished all sides - open plan
- Metal parts include 5 year warranty
- Motor includes 2 year warranty
- Order freestanding pedestals under shell

**NOTES**

- Center drawer n/a
- Free standing no hookup application
- Locator shelf w/ notched for positioning 8" D
- Lift mechanism is silver std
- Modesty surround lifts w/ work surface

[CLICK HERE TO VIEW PRODUCT INDEX](#)

**1 SELECT A STYLE**

DIMENSIONS		STYLE NUMBER	LIST PRICE	STYLE NUMBER	LIST PRICE	STYLE NUMBER	LIST PRICE
W" x D" x H"	WGT	"W" Veneer Top Veneer Chassis		"G" High Pressure Laminate Top Veneer Chassis		"M" Thermally Fused Laminate Top Thermally Fused Laminate Chassis	
72 x 36 x 29-47.5	225	CPC7236DS897W	6445	CPC7236DS897G	6445	CPC7236DS897M	5145
72 x 30 x 29-47.5	205	CPC7230DS897W	6320	CPC7230DS897G	6320	CPC7230DS897M	4870
66 x 36 x 29-47.5	205	CPC6636DS897W	6390	CPC6636DS897G	6390	CPC6636DS897M	5095
66 x 30 x 29-47.5	185	CPC6630DS897W	6290	CPC6630DS897G	6290	CPC6630DS897M	4876
60 x 30 x 29-47.5	165	CPC6030DS897W	6270	CPC6030DS897G	6270	CPC6030DS897M	4810

**2 SELECT A FINISH**

"W" Veneer	"G" HPL	"M" TFL	Finish
WAC	GAC	-	Amber Cherry
WRC	-	-	Caramel Cherry
WIC	GIC	-	Crimson Cherry
WEC	-	-	Ebony Cherry
WHC	GHC	MHC	Honey Cherry
WOC	GOC	MOC	KoKo Cherry
WSC	-	-	Scotch Cherry
WAM	GAM	-	Alabaster Maple
WCM	GCM	-	Clear Maple
WWM	GWM	-	Wheat Maple
WEW	GEW	-	Executive Walnut
WRW	GRW	-	Gray Luster Walnut
WGW	-	MGW	Gunstock Walnut
WJW	-	-	Judicial Walnut
WNW	GNW	-	Natural Walnut
WTW	GTW	MTW	Studio Teak Walnut
WWP	GWL	MWL	Designer White

**3 SELECT AN EDGE**

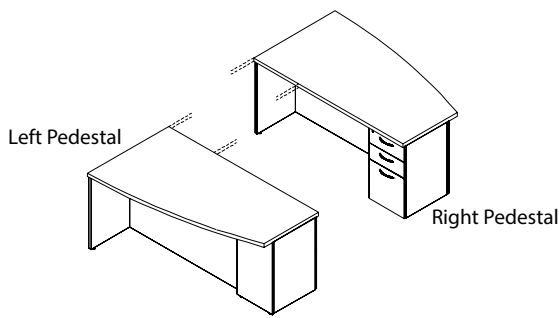
**4 SELECT HARDWARE**

Hardware Option Not Available

**5 OPTIONS**

**GROMMETS (STANDARD LOCATION)**  
Specify Color and Left/Right - \$45 ea.  
- Black: TM30-R (Right), TM30-L (Left)  
- Silver: TM31-R (Right), TM31-L (Left)  
- Antique Brass: TM33-R (Right), TM33-L (Left)

**GROMMETS (NON-STANDARD LOCATION)**  
Provide drawing w/ grommet location and specify color - \$90 ea.  
- Black: TM30-NS  
- Silver: TM31-NS  
- Antique Brass: TM33-NS



**ELLIPTICAL PEDESTAL DESK**

**STANDARD FEATURES**

- Box/Box/File
- Full extension drawers - locking
- Full fixed modesty
- Panel end
- Soft close suspension drawer(s)

**NOTES**

- All units are standard w/ flush ends
- Modesty recessed 5"/11"

[CLICK HERE TO VIEW PRODUCT INDEX](#)

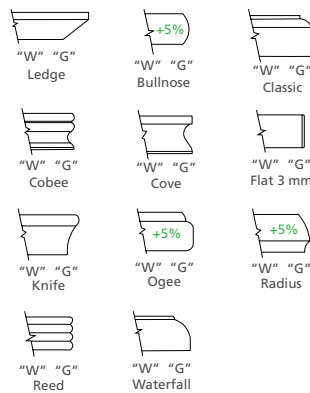
**1 SELECT A STYLE**

DIMENSIONS		STYLE NUMBER	LIST PRICE	STYLE NUMBER	LIST PRICE	STYLE NUMBER	LIST PRICE
W" x D" x H"	WGT	"W" Veneer Veneer Top Veneer Chassis		"G" HPL High Pressure Laminate Top Veneer Chassis		"M" TFL Thermally Fused Laminate Top Thermally Fused Laminate Chassis	
<b>Left Pedestal</b>							
72 x 36/24 x 29	245	CPC7236DS734W	3000	CPC7236DS734G	3000	CPC7236DS734M	1775
66 x 36/24 x 29	235	CPC6636DS734W	2839	CPC6636DS734G	2839	CPC6636DS734M	1750
60 x 30/24 x 29	185	CPC6030DS734W	2777	CPC6030DS734G	2777	CPC6030DS734M	1725
<b>Right Pedestal</b>							
72 x 36/24 x 29	245	CPC7236DS735W	3000	CPC7236DS735G	3000	CPC7236DS735M	1775
66 x 36/24 x 29	235	CPC6636DS735W	2839	CPC6636DS735G	2839	CPC6636DS735M	1750
60 x 30/24 x 29	185	CPC6030DS735W	2777	CPC6030DS735G	2777	CPC6030DS735M	1725

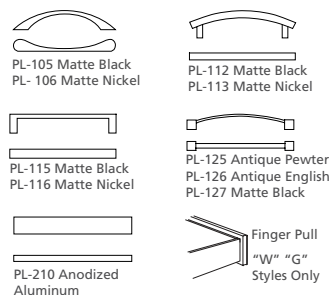
**2 SELECT A FINISH**

"W" Veneer	"G" HPL	"M" TFL	Finish
WAC	GAC	-	Amber Cherry
WRC	-	-	Caramel Cherry
WIC	GIC	-	Crimson Cherry
WEC	-	-	Ebony Cherry
WHC	GHC	MHC	Honey Cherry
WOC	GOC	MOC	KoKo Cherry
WSC	-	-	Scotch Cherry
WAM	GAM	-	Alabaster Maple
WCM	GCM	-	Clear Maple
WWM	GWM	-	Wheat Maple
WEW	GEW	-	Executive Walnut
WRW	GRW	-	Gray Luster Walnut
WGW	-	MGW	Gunstock Walnut
WJW	-	-	Judicial Walnut
WNW	GNW	-	Natural Walnut
WTW	GTW	MTW	Studio Teak Walnut
WWP	GWL	MWL	Designer White

**3 SELECT AN EDGE**



**4 SELECT HARDWARE**



**5 OPTIONS**

**ACCESSORIES**

- K28: Articulating Keyboard w/ Mouse - \$375
- K31: Center drawer w/o skirt - \$195

**DRAWER**

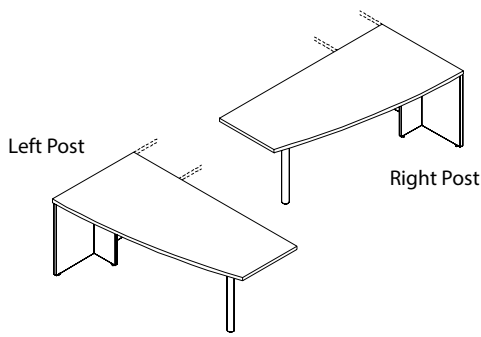
- P6: Modify Box/Box/File to File/File - \$50 per pedestal
- P33: Wood Drawer Upgrade - \$40 per drawer
- WPD3061: Full fill designer white - \$75 per pedestal

**GROMMETS (STANDARD LOCATION)**

- Specify Color and Left/Right - \$45 ea.
- Black: TM30-R (Right), TM30-L (Left)
- Silver: TM31-R (Right), TM31-L (Left)
- Antique Brass: TM33-R (Right), TM33-L (Left)

**GROMMETS (NON-STANDARD LOCATION)**

- Provide drawing w/ grommet location and specify color - \$90 ea.
- Black: TM30-NS
- Silver: TM31-NS
- Antique Brass: TM33-NS



**ELLIPTICAL CONFERENCE DESK**

**STANDARD FEATURES**

- 3" Silver anodized aluminum post leg standard (Optional black leg - n/c)
- Hookup hardware
- "T" Panel end

**NOTES**

- All units are standard w/ flush ends
- Not Recommended for Freestanding Use
- See Options Sections for Additional Bases Available.

[CLICK HERE TO VIEW PRODUCT INDEX](#)

**1 SELECT A STYLE**

DIMENSIONS		STYLE NUMBER	LIST PRICE	STYLE NUMBER	LIST PRICE	STYLE NUMBER	LIST PRICE
W" x D" x H"	WGT	"W" Veneer Veneer Top Veneer Chassis		"G" HPL High Pressure Laminate Top Veneer Chassis		"M" TFL Thermally Fused Laminate Top Thermally Fused Laminate Chassis	
<b>Left Post</b>							
84 x 36/24 x 29	170	CPC8436DC720W	2642	CPC8436DC720G	2642	CPC8436DC720M	1215
72 x 36/24 x 29	155	CPC7236DC720W	2431	CPC7236DC720G	2431	CPC7236DC720M	1180
66 x 36/24 x 29	145	CPC6636DC720W	2393	CPC6636DC720G	2393	CPC6636DC720M	1145
66 x 30/24 x 29	110	CPC6630DC720W	2310	CPC6630DC720G	2310	CPC6630DC720M	985
<b>Right Post</b>							
84 x 36/24 x 29	170	CPC8436DC719W	2642	CPC8436DC719G	2642	CPC8436DC719M	1215
72 x 36/24 x 29	155	CPC7236DC719W	2431	CPC7236DC719G	2431	CPC7236DC719M	1180
66 x 36/24 x 29	145	CPC6636DC719W	2393	CPC6636DC719G	2393	CPC6636DC719M	1145
66 x 30/24 x 29	110	CPC6630DC719W	2310	CPC6630DC719G	2310	CPC6630DC719M	985

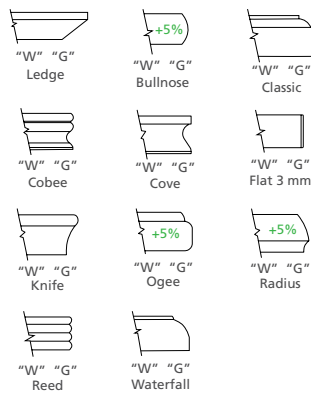
**2 SELECT A FINISH**

"W" Veneer	"G" HPL	"M" TFL	Finish
WAC	GAC	-	Amber Cherry
WRC	-	-	Caramel Cherry
WIC	GIC	-	Crimson Cherry
WEC	-	-	Ebony Cherry
WHC	GHC	MHC	Honey Cherry
WOC	GOC	MOC	KoKo Cherry
WSC	-	-	Scotch Cherry
WAM	GAM	-	Alabaster Maple
WCM	GCM	-	Clear Maple
WWM	GWM	-	Wheat Maple
WEW	GEW	-	Executive Walnut
WRW	GRW	-	Gray Luster Walnut
WGW	-	MGW	Gunstock Walnut
WJW	-	-	Judicial Walnut
WNW	GNW	-	Natural Walnut
WTW	GTW	MTW	Studio Teak Walnut
WWP	GWL	MWL	Designer White

**METAL FINISHES**

MFB	-	-	Black
MFS	-	-	Silver

**3 SELECT AN EDGE**



**4 SELECT HARDWARE**

Hardware Option Not Available

**5 OPTIONS**

**ACCESSORIES**

- K2: Center Drawer w/ Skirt - \$375
- K28: Articulating Keyboard w/ Mouse - \$375
- K31: Center drawer w/o skirt - \$195

**BASE**

- SSB24: 24" Silver metal sleigh base - \$450
- SSB30: 30" metal sleigh base - \$475

**GROMMETS (STANDARD LOCATION)**

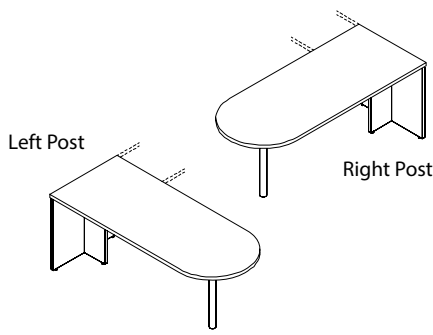
- Specify Color - \$45 ea.
- Black: TM30-C (Center)
- Silver: TM31-C (Center)
- Antique Brass: TM33-C (Center)

**GROMMETS (NON-STANDARD LOCATION)**

- Provide drawing w/ grommet location and specify color - \$90 ea.
- Black: TM30-NS
- Silver: TM31-NS
- Antique Brass: TM33-NS

**MODESTY**

- M45: SilverLuma frame/frost insert (Full Modesty) - \$725
- HM45: SilverLuma frame/frost insert (Half Modesty) - \$395
- MC50: Full veneer/Laminate modesty - \$175
- MC51: Half veneer/laminate modesty - \$125
- M56: Full curved Elliptical Wood modesty - \$475
- HM56: Half curved Elliptical wood Modesty - \$325



**BULLET CONFERENCE DESK**

**STANDARD FEATURES**

- 3" Silver anodized aluminum post leg standard (Optional black leg - n/c)
- Hookup hardware
- "T" Panel end

- See Options Sections for Additional Bases Available.

**NOTES**

- All units are standard w/ flush ends
- Not Recommended for Freestanding Use
- "P" Tops and Bullets are not intended to be freestanding

[CLICK HERE TO VIEW PRODUCT INDEX](#)

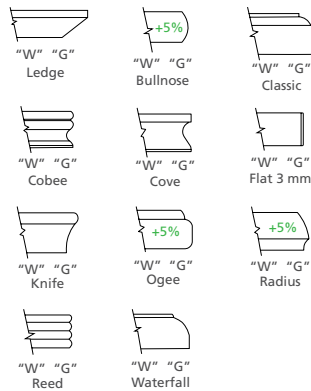
**1 SELECT A STYLE**

DIMENSIONS		STYLE NUMBER	LIST PRICE	STYLE NUMBER	LIST PRICE	STYLE NUMBER	LIST PRICE
W" x D" x H"	WGT	"W" Veneer Veneer Top Veneer Chassis		"G" HPL High Pressure Laminate Top Veneer Chassis		"M" TFL Thermally Fused Laminate Top Thermally Fused Laminate Chassis	
<b>Left Post</b>							
84 x 36 x 29	175	CPC8436DC716W	2777	CPC8436DC716G	2777	CPC8436DC716M	1215
72 x 36 x 29	160	CPC7236DC716W	2571	CPC7236DC716G	2571	CPC7236DC716M	1180
72 x 30 x 29	150	CPC7230DC716W	2470	CPC7230DC716G	2470	CPC7230DC716M	1020
66 x 36 x 29	155	CPC6636DC716W	2470	CPC6636DC716G	2470	CPC6636DC716M	1020
66 x 30 x 29	125	CPC6630DC716W	2431	CPC6630DC716G	2431	CPC6630DC716M	985
60 x 30 x 29	110	CPC6030DC716W	2393	CPC6030DC716G	2393	CPC6030DC716M	960
<b>Right Post</b>							
84 x 36 x 29	175	CPC8436DC715W	2777	CPC8436DC715G	2777	CPC8436DC715M	1215
72 x 36 x 29	160	CPC7236DC715W	2571	CPC7236DC715G	2571	CPC7236DC715M	1180
72 x 30 x 29	150	CPC7230DC715W	2470	CPC7230DC715G	2470	CPC7230DC715M	1020
66 x 36 x 29	155	CPC6636DC715W	2470	CPC6636DC715G	2470	CPC6636DC715M	1020
66 x 30 x 29	125	CPC6630DC715W	2431	CPC6630DC715G	2431	CPC6630DC715M	985
60 x 30 x 29	110	CPC6030DC715W	2393	CPC6030DC715G	2393	CPC6030DC715M	960

**2 SELECT A FINISH**

"W" Veneer	"G" HPL	"M" TFL	Finish
WAC	GAC	-	Amber Cherry
WRC	-	-	Caramel Cherry
WIC	GIC	-	Crimson Cherry
WEC	-	-	Ebony Cherry
WHC	GHC	MHC	Honey Cherry
WOC	GOC	MOC	KoKo Cherry
WSC	-	-	Scotch Cherry
WAM	GAM	-	Alabaster Maple
WCM	GCM	-	Clear Maple
WWM	GWM	-	Wheat Maple
WEW	GEW	-	Executive Walnut
WRW	GRW	-	Gray Luster Walnut
WGW	-	MGW	Gunstock Walnut
WJW	-	-	Judicial Walnut
WNW	GNW	-	Natural Walnut
WTW	GTW	MTW	Studio Teak Walnut
WWP	GWL	MWL	Designer White
<b>METAL FINISHES</b>			
MFB	-	-	Black
MFS	-	-	Silver

**3 SELECT AN EDGE**



**4 SELECT HARDWARE**

Hardware Option Not Available

**5 OPTIONS**

**ACCESSORIES**

- K2: Center Drawer w/ Skirt - \$375
- K28: Articulating Keyboard w/ Mouse - \$375
- K31: Center drawer w/o skirt - \$195

**GROMMETS (STANDARD LOCATION)**

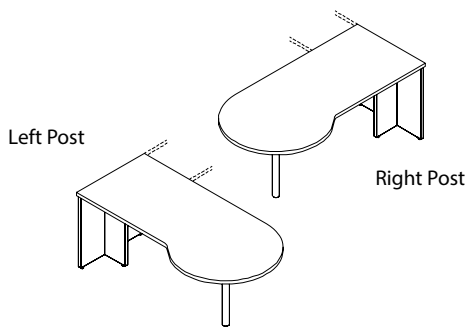
- Specify Color - \$45 ea.
- Black: TM30-C (Center)
- Silver: TM31-C (Center)
- Antique Brass: TM33-C (Center)

**GROMMETS (NON-STANDARD LOCATION)**

- Provide drawing w/ grommet location and specify color - \$90 ea.
- Black: TM30-NS
- Silver: TM31-NS
- Antique Brass: TM33-NS

**MODESTY**

- M45: SilverLuma frame/frost insert (Full Modesty) - \$725
- HM45: SilverLuma frame/frost insert (Half Modesty) - \$395
- MC50: Full veneer/Laminate modesty - \$175
- MC51: Half veneer/laminate modesty - \$125



**"P" CONFERENCE DESK**

**STANDARD FEATURES**

- 3" Silver anodized aluminum post leg standard (Optional black leg - n/c)
- Hookup hardware
- "T" Panel end

- See Options Sections for Additional Bases Available.

**NOTES**

- All units are standard w/ flush ends
- Not Recommended for Freestanding Use
- "P" Tops and Bullets are not intended to be freestanding

[CLICK HERE TO VIEW PRODUCT INDEX](#)

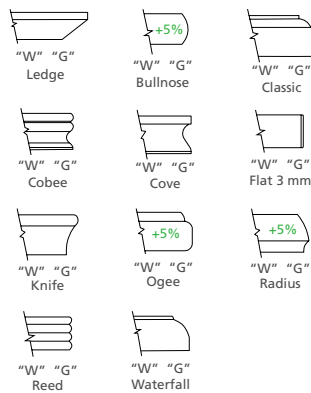
**1 SELECT A STYLE**

DIMENSIONS		STYLE NUMBER	LIST PRICE	STYLE NUMBER	LIST PRICE	STYLE NUMBER	LIST PRICE
W" x D" x H"	WGT	"W" Veneer Top Veneer Chassis		"G" High Pressure Laminate Top Veneer Chassis		"M" Thermally Fused Laminate Top Thermally Fused Laminate Chassis	
<b>Left Post</b>							
84 x 36/42 x 29	200	CPC8442DC028W	2910	CPC8442DC028G	2910	CPC8442DC028M	1290
72 x 36/42 x 29	185	CPC7242DC028W	2693	CPC7242DC028G	2693	CPC7242DC028M	1255
72 x 30/36 x 29	165	CPC7236DC028W	2617	CPC7236DC028G	2617	CPC7236DC028M	1095
66 x 36/42 x 29	170	CPC6642DC028W	2617	CPC6642DC028G	2617	CPC6642DC028M	1220
66 x 30/36 x 29	155	CPC6636DC028W	2546	CPC6636DC028G	2546	CPC6636DC028M	1060
<b>Right Post</b>							
84 x 36/42 x 29	200	CPC8442DC027W	2910	CPC8442DC027G	2910	CPC8442DC027M	1290
72 x 36/42 x 29	185	CPC7242DC027W	2693	CPC7242DC027G	2693	CPC7242DC027M	1255
72 x 30/36 x 29	165	CPC7236DC027W	2617	CPC7236DC027G	2617	CPC7236DC027M	1095
66 x 36/42 x 29	170	CPC6642DC027W	2617	CPC6642DC027G	2617	CPC6642DC027M	1220
66 x 30/36 x 29	155	CPC6636DC027W	2546	CPC6636DC027G	2546	CPC6636DC027M	1060

**2 SELECT A FINISH**

"W" Veneer	"G" HPL	"M" TFL	Finish
WAC	GAC	-	Amber Cherry
WRC	-	-	Caramel Cherry
WIC	GIC	-	Crimson Cherry
WEC	-	-	Ebony Cherry
WHC	GHC	MHC	Honey Cherry
WOC	GOC	MOC	KoKo Cherry
WSC	-	-	Scotch Cherry
WAM	GAM	-	Alabaster Maple
WCM	GCM	-	Clear Maple
WWM	GWM	-	Wheat Maple
WEW	GEW	-	Executive Walnut
WRW	GRW	-	Gray Luster Walnut
WGW	-	MGW	Gunstock Walnut
WJW	-	-	Judicial Walnut
WNW	GNW	-	Natural Walnut
WTW	GTW	MTW	Studio Teak Walnut
WWP	GWL	MWL	Designer White
<b>METAL FINISHES</b>			
MFB	-	-	Black
MFS	-	-	Silver

**3 SELECT AN EDGE**



**4 SELECT HARDWARE**

Hardware Option Not Available

**5 OPTIONS**

**ACCESSORIES**

- K2: Center Drawer w/ Skirt - \$375
- K28: Articulating Keyboard w/ Mouse - \$375
- K31: Center drawer w/o skirt - \$195

**GROMMETS (STANDARD LOCATION)**

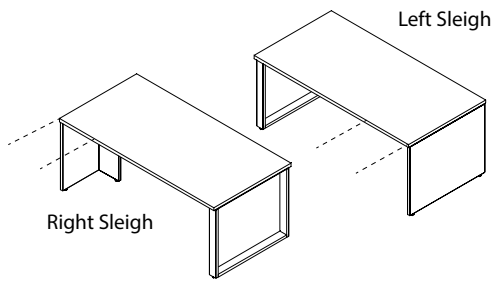
- Specify Color - \$45 ea.
- Black: TM30-C (Center)
- Silver: TM31-C (Center)
- Antique Brass: TM33-C (Center)

**GROMMETS (NON-STANDARD LOCATION)**

- Provide drawing w/ grommet location and specify color - \$90 ea.
- Black: TM30-NS
- Silver: TM31-NS
- Antique Brass: TM33-NS

**MODESTY**

- M45: SilverLuma frame/frost insert (Full Modesty) - \$725
- HM45: SilverLuma frame/frost insert (Half Modesty) - \$395
- ML50: Full veneer/Laminate modesty - \$175
- MC51: Half veneer/laminate modesty - \$125



**RECTANGLE CONFERENCE DESK WITH SLEIGH BASE**

**STANDARD FEATURES**

- Hookup hardware
- Metal sleigh base - standard silver finish
- "T" Panel end

**NOTES**

- All units are standard w/ flush ends

[CLICK HERE TO VIEW PRODUCT INDEX](#)

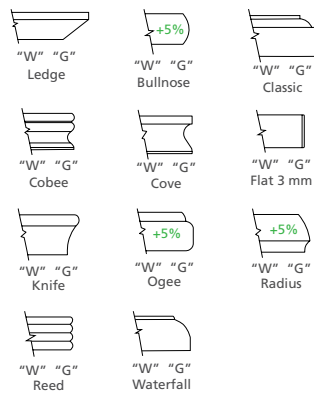
**1 SELECT A STYLE**

DIMENSIONS		STYLE NUMBER	LIST PRICE	STYLE NUMBER	LIST PRICE	STYLE NUMBER	LIST PRICE
W" x D" x H"	WGT	"W" Veneer Top Veneer Chassis		"G" High Pressure Laminate Top Veneer Chassis		"M" Thermally Fused Laminate Top Thermally Fused Laminate Chassis	
<b>Left Sleigh Leg</b>							
72 x 36 x 29	160	CPC7236DC767W	2553	CPC7236DC767G	2553	CPC7236DC767M	1390
72 x 30 x 29	150	CPC7230DC767W	2451	CPC7230DC767G	2451	CPC7230DC767M	1230
66 x 36 x 29	155	CPC6636DC767W	2451	CPC6636DC767G	2451	CPC6636DC767M	1230
66 x 30 x 29	125	CPC6630DC767W	2413	CPC6630DC767G	2413	CPC6630DC767M	1195
60 x 30 x 29	110	CPC6030DC767W	2374	CPC6030DC767G	2374	CPC6030DC767M	1170
<b>Right Sleigh Leg</b>							
72 x 36 x 29	160	CPC7236DC766W	2553	CPC7236DC766G	2553	CPC7236DC766M	1390
72 x 30 x 29	150	CPC7230DC766W	2451	CPC7230DC766G	2451	CPC7230DC766M	1230
66 x 36 x 29	155	CPC6636DC766W	2451	CPC6636DC766G	2451	CPC6636DC766M	1230
66 x 30 x 29	125	CPC6630DC766W	2413	CPC6630DC766G	2413	CPC6630DC766M	1195
60 x 30 x 29	110	CPC6030DC766W	2374	CPC6030DC766G	2374	CPC6030DC766M	1170

**2 SELECT A FINISH**

"W" Veneer	"G" HPL	"M" TFL	
WAC	GAC	-	Amber Cherry
WRC	-	-	Caramel Cherry
WIC	GIC	-	Crimson Cherry
WEC	-	-	Ebony Cherry
WHC	GHC	MHC	Honey Cherry
WOC	GOC	MOC	KoKo Cherry
WSC	-	-	Scotch Cherry
WAM	GAM	-	Alabaster Maple
WCM	GCM	-	Clear Maple
WWM	GWM	-	Wheat Maple
WEW	GEW	-	Executive Walnut
WRW	GRW	-	Gray Luster Walnut
WGW	-	MGW	Gunstock Walnut
WJW	-	-	Judicial Walnut
WNW	GNW	-	Natural Walnut
WTW	GTW	MTW	Studio Teak Walnut
WWP	GWL	MWL	Designer White
<b>METAL FINISHES</b>			
MFB	-	-	Black (Premium Finish)
MFS	-	-	Silver

**3 SELECT AN EDGE**



**4 SELECT HARDWARE**

Hardware Option Not Available

**5 OPTIONS**

**ACCESSORIES**

- K2: Center Drawer w/ Skirt - \$375
- K28: Articulating Keyboard w/ Mouse - \$375
- K31: Center drawer w/o skirt - \$195

**BASE**

- RDL-S: Silver round post leg - deduct \$250
- RDL-B: Black round post leg - deduct \$250
- SQL-S: Silver square post leg - deduct \$250
- SQL-B: Black square post leg - deduct \$250

**GROMMETS (STANDARD LOCATION)**

- Specify Color and Left/Right - \$45 ea.
- Black: TM30-R (Right), TM30-L (Left)
- Silver: TM31-R (Right), TM31-L (Left)
- Antique Brass: TM33-R (Right), TM33-L (Left)

**GROMMETS (NON-STANDARD LOCATION)**

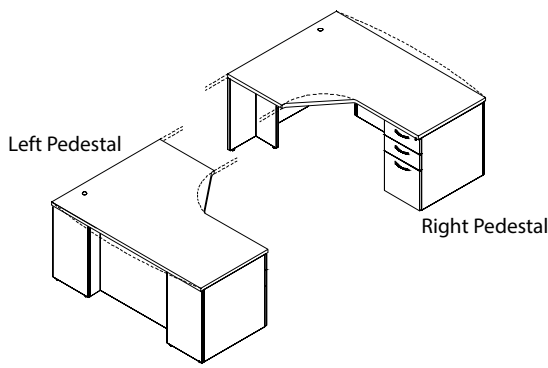
- Provide drawing w/ grommet location and specify color - \$90 ea.
- Black: TM30-NS
- Silver: TM31-NS
- Antique Brass: TM33-NS

**MODESTY**

- HM45: SilverLuma frame/frost insert (Half Modesty) - \$395
- MC51: Half veneer/laminate modesty - \$125

**PREMIUM FINISH OPTION**

- MFB: Black metal finish - \$95 per base



**BREAKFRONT MODESTY FULL PEDESTAL**

**STANDARD FEATURES**

- 1 Standard grommet - matches pull finish or specify black TM30, silver TM31 or antique brass TM33
- Box/Box/File
- Full extension drawers - locking
- Soft close suspension drawer(s)

**NOTES**

- All units are standard w/ flush ends
- Modesty is recessed 6"

[CLICK HERE TO VIEW PRODUCT INDEX](#)

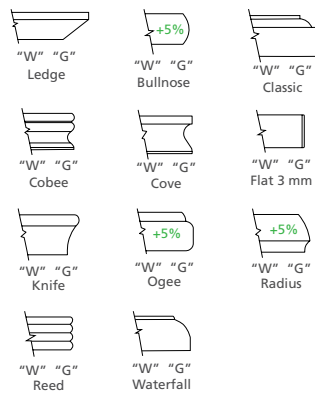
**1 SELECT A STYLE**

DIMENSIONS		STYLE NUMBER	LIST PRICE	STYLE NUMBER	LIST PRICE	STYLE NUMBER	LIST PRICE
W" x D" x H"	WGT	"W" Veneer Veneer Top Veneer Chassis		"G" HPL High Pressure Laminate Top Veneer Chassis		"M" TFL Thermally Fused Laminate Top Thermally Fused Laminate Chassis	
<b>Left Pedestal</b>							
72 x 30/48 x 29	310	CPC7248DS754W	3605	CPC7248DS754G	3605	CPC7248DS754M	1955
66 x 30/48 x 29	290	CPC6648DS754W	3534	CPC6648DS754G	3534	CPC6648DS754M	1915
66 x 24/42 x 29	260	CPC6642DS754W	3191	CPC6642DS754G	3191	CPC6642DS754M	1885
<b>Right Pedestal</b>							
72 x 30/48 x 29	310	CPC7248DS753W	3605	CPC7248DS753G	3605	CPC7248DS753M	1955
66 x 30/48 x 29	290	CPC6648DS753W	3534	CPC6648DS753G	3534	CPC6648DS753M	1915
66 x 24/42 x 29	260	CPC6642DS753W	3191	CPC6642DS753G	3191	CPC6642DS753M	1885

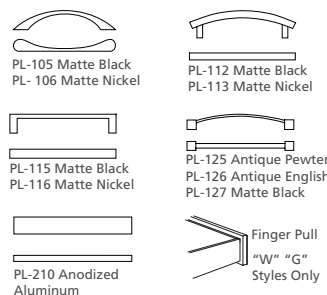
**2 SELECT A FINISH**

"W" Veneer	"G" HPL	"M" TFL	Finish
WAC	GAC	-	Amber Cherry
WRC	-	-	Caramel Cherry
WIC	GIC	-	Crimson Cherry
WEC	-	-	Ebony Cherry
WHC	GHC	MHC	Honey Cherry
WOC	GOC	MOC	KoKo Cherry
WSC	-	-	Scotch Cherry
WAM	GAM	-	Alabaster Maple
WCM	GCM	-	Clear Maple
WWM	GWM	-	Wheat Maple
WEW	GEW	-	Executive Walnut
WRW	GRW	-	Gray Luster Walnut
WGW	-	MGW	Gunstock Walnut
WJW	-	-	Judicial Walnut
WNW	GNW	-	Natural Walnut
WTW	GTW	MTW	Studio Teak Walnut
WWP	GWL	MWL	Designer White

**3 SELECT AN EDGE**



**4 SELECT HARDWARE**



**5 OPTIONS**

**ACCESSORIES**

- K28: Articulating Keyboard w/ Mouse - \$375
- K31: Center drawer w/o skirt - \$195
- N/A with T80 or T90 options

**DRAWER**

- P6: Modify Box/Box/File to File/File - \$50 per pedestal
- P33: Wood Drawer Upgrade - \$40 per drawer
- WPD3061: Full fill designer white - \$75 per pedestal

**GROMMETS (NON-STANDARD LOCATION)**

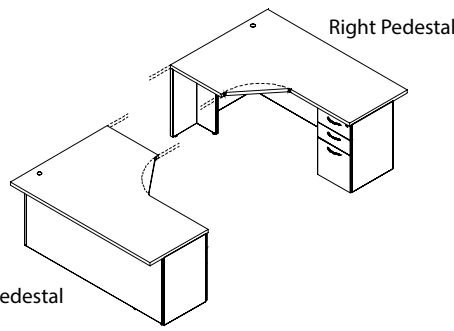
- Provide drawing w/ grommet location and specify color - \$90 ea.
- Black: TM30-NS
- Silver: TM31-NS
- Antique Brass: TM33-NS

**MODESTY**

- M39: SilverLuma Frame w/ Frost insert (full modesty) - \$625
- HM39: SilverLuma Frame w/ Frost insert (half modesty) - \$325

**SERVICE DESKS**

- For Ledge, Classic, Cobee, Cove, Flat, Knife, Reed, and Waterfall edges, specify T80 or T81
- T80: Edge Curve User Side - n/c
- T81: Edge Approach Side Bowfront Edge - \$75
- For Bullnose, Ogee and Radius edges, Specify T90 or T91
- T90: Hardwood Edge Curve User Side - \$595
- T91: Hardwood Edge Approach Side Bowfront Edge - \$295



**FLUSH MODESTY FULL PEDESTAL W/ OVERHANG TOP**

**STANDARD FEATURES**

- 1 Standard grommet - matches pull finish or specify black TM30, silver TM31 or antique brass TM33
- Box/Box/File
- Full extension drawers - locking
- Soft close suspension drawer(s)

- 6" Overhang on Approach
- All units are standard w/ flush ends

**NOTES**

- 24"/42" D Have 18" Pedestal
- 30"/48" D Have 24" Pedestal

[CLICK HERE TO VIEW PRODUCT INDEX](#)

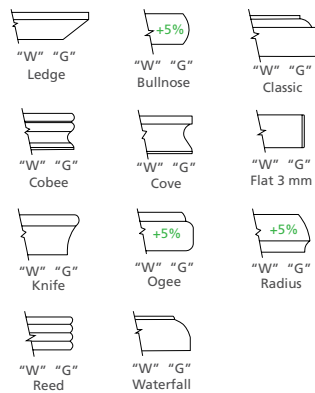
**1 SELECT A STYLE**

DIMENSIONS		STYLE NUMBER	LIST PRICE	STYLE NUMBER	LIST PRICE	STYLE NUMBER	LIST PRICE
W" x D" x H"	WGT	"W" Veneer Veneer Top Veneer Chassis		"G" HPL High Pressure Laminate Top Veneer Chassis		"M" TFL Thermally Fused Laminate Top Thermally Fused Laminate Chassis	
<b>Left Pedestal</b>							
72 x 30/48 x 29	300	CPC7248DS760W	3500	CPC7248DS760G	3500	CPC7248DS760M	1880
66 x 30/48 x 29	280	CPC6648DS760W	3430	CPC6648DS760G	3430	CPC6648DS760M	1840
66 x 24/42 x 29	250	CPC6642DS760W	3100	CPC6642DS760G	3100	CPC6642DS760M	1810
<b>Right Pedestal</b>							
72 x 30/48 x 29	300	CPC7248DS759W	3500	CPC7248DS759G	3500	CPC7248DS759M	1880
66 x 30/48 x 29	280	CPC6648DS759W	3430	CPC6648DS759G	3430	CPC6648DS759M	1840
66 x 24/42 x 29	250	CPC6642DS759W	3100	CPC6642DS759G	3100	CPC6642DS759M	1810

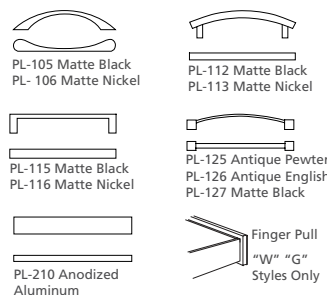
**2 SELECT A FINISH**

"W" Veneer	"G" HPL	"M" TFL	Finish
WAC	GAC	-	Amber Cherry
WRC	-	-	Caramel Cherry
WIC	GIC	-	Crimson Cherry
WEC	-	-	Ebony Cherry
WHC	GHC	MHC	Honey Cherry
WOC	GOC	MOC	KoKo Cherry
WSC	-	-	Scotch Cherry
WAM	GAM	-	Alabaster Maple
WCM	GCM	-	Clear Maple
WWM	GWM	-	Wheat Maple
WEW	GEW	-	Executive Walnut
WRW	GRW	-	Gray Luster Walnut
WGW	-	MGW	Gunstock Walnut
WJW	-	-	Judicial Walnut
WNW	GNW	-	Natural Walnut
WTW	GTW	MTW	Studio Teak Walnut
WWP	GWL	MWL	Designer White

**3 SELECT AN EDGE**



**4 SELECT HARDWARE**



**5 OPTIONS**

**ACCESSORIES**

- K28: Articulating Keyboard w/ Mouse - \$375
- K31: Center drawer w/o skirt - \$195

**DRAWER**

- P6: Modify Box/Box/File to File/File - \$50 per pedestal
- P33: Wood Drawer Upgrade - \$40 per drawer
- WPD3061: Full fill designer white - \$75 per pedestal

**GROMMETS (NON-STANDARD LOCATION)**

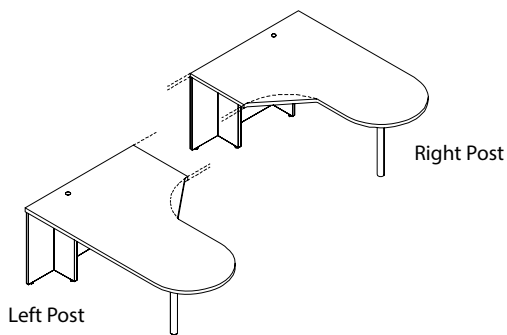
Provide drawing w/ grommet location and specify color - \$90 ea.

- Black: TM30-NS
- Silver: TM31-NS
- Antique Brass: TM33-NS

**SERVICE DESKS**

- For Ledge, Classic, Cobee, Cove, Flat, Knife, Reed, and Waterfall edges, specify T80 or T81
- T80: Edge Curve User Side - n/c
- T81: Edge Approach Side Bowfront Edge - \$75
- For Bullnose, Ogee and Radius edges, Specify T90 or T91
- T90: Hardwood Edge Curve User Side - \$595
- T91: Hardwood Edge Approach Side Bowfront Edge - \$295





**BULLET SERVICE DESK**

**STANDARD FEATURES**

- 1 Standard grommet - matches pull finish or specify black TM30, silver TM31 or antique brass TM33
- 3" Silver anodized aluminum post leg standard (Optional black leg - n/c)

**NOTES**

- All units are standard w/ flush ends
- See Options Sections For Additional Support Legs Available.

[CLICK HERE TO VIEW PRODUCT INDEX](#)

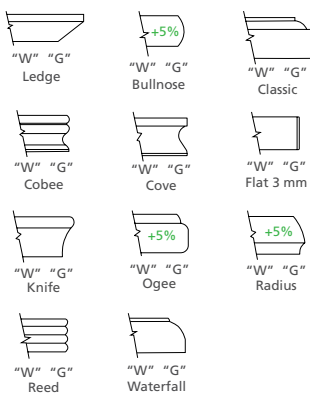
**1 SELECT A STYLE**

DIMENSIONS		STYLE NUMBER	LIST PRICE	STYLE NUMBER	LIST PRICE	STYLE NUMBER	LIST PRICE
W" x D" x H"	WGT	"W" Veneer Veneer Top Veneer Chassis		"G" HPL High Pressure Laminate Top Veneer Chassis		"M" TFL Thermally Fused Laminate Top Thermally Fused Laminate Chassis	
<b>Left Post</b>							
72 x 30/48 x 29	200	CPC7248DS737W	2992	CPC7248DS737G	2992	CPC7248DS737M	1265
66 x 30/48 x 29	190	CPC6648DS737W	2910	CPC6648DS737G	2910	CPC6648DS737M	1245
66 x 24/42 x 29	160	CPC6642DS737W	2777	CPC6642DS737G	2777	CPC6642DS737M	1225
<b>Right Post</b>							
72 x 30/48 x 29	200	CPC7248DS736W	2992	CPC7248DS736G	2992	CPC7248DS736M	1265
66 x 30/48 x 29	190	CPC6648DS736W	2910	CPC6648DS736G	2910	CPC6648DS736M	1245
66 x 24/42 x 29	160	CPC6642DS736W	2777	CPC6642DS736G	2777	CPC6642DS736M	1225

**2 SELECT A FINISH**

"W" Veneer	"G" HPL	"M" TFL	Finish
WAC	GAC	-	Amber Cherry
WRC	-	-	Caramel Cherry
WIC	GIC	-	Crimson Cherry
WEC	-	-	Ebony Cherry
WHC	GHC	MHC	Honey Cherry
WOC	GOC	MOC	KoKo Cherry
WSC	-	-	Scotch Cherry
WAM	GAM	-	Alabaster Maple
WCM	GCM	-	Clear Maple
WWM	GWM	-	Wheat Maple
WEW	GEW	-	Executive Walnut
WRW	GRW	-	Gray Luster Walnut
WGW	-	MGW	Gunstock Walnut
WJW	-	-	Judicial Walnut
WNW	GNW	-	Natural Walnut
WTW	GTW	MTW	Studio Teak Walnut
WWP	GWL	MWL	Designer White
<b>METAL FINISHES</b>			
MFB	-	-	Black
MFS	-	-	Silver

**3 SELECT AN EDGE**



**4 SELECT HARDWARE**

Hardware Option Not Available

**5 OPTIONS**

**ACCESSORIES**

- K2: Center Drawer w/ Skirt - \$375
- N/A with T80 or T90 options
- K28: Articulating Keyboard w/ Mouse - \$375
- K31: Center drawer w/o skirt - \$195
- N/A with T80 or T90 options

**GROMMETS (NON-STANDARD LOCATION)**

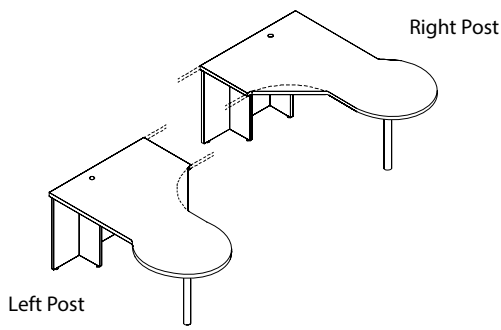
- Provide drawing w/ grommet location and specify color - \$90 ea.
- Black: TM30-NS
- Silver: TM31-NS
- Antique Brass: TM33-NS

**MODESTY**

- M45: SilverLuma frame/frost insert (Full Modesty) - \$725
- HM45: SilverLuma frame/frost insert (Half Modesty) - \$395
- MC50: Full veneer/Laminate modesty - \$175
- MC51: Half veneer/laminate modesty - \$125

**SERVICE DESKS**

- For Ledge, Classic, Cobee, Cove, Flat, Knife, Reed, and Waterfall edges, specify T80 or T81
- T80: Edge Curve User Side - n/c
- T81: Edge Approach Side Bowfront Edge - \$75
- For Bullnose, Ogee and Radius edges, Specify T90 or T91
- T90: Hardwood Edge Curve User Side - \$595
- T91: Hardwood Edge Approach Side Bowfront Edge - \$295



"P" SERVICE DESK

STANDARD FEATURES

- 1 Standard grommet - matches pull finish or specify black TM30, silver TM31 or antique brass TM33
- 3" Silver anodized aluminum post leg standard (Optional black leg - n/c)

NOTES

- All units are standard w/ flush ends
- See Options Sections for Additional Support Legs Available.

[CLICK HERE TO VIEW PRODUCT INDEX](#)

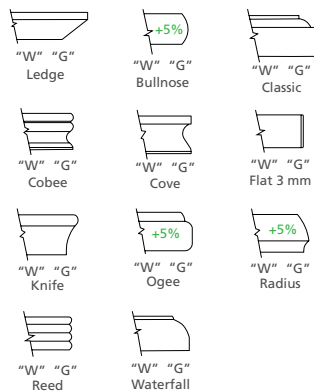
1 SELECT A STYLE

DIMENSIONS		STYLE NUMBER	LIST PRICE	STYLE NUMBER	LIST PRICE	STYLE NUMBER	LIST PRICE
W" x D" x H"	WGT	"W" Veneer Veneer Top Veneer Chassis		"G" HPL High Pressure Laminate Top Veneer Chassis		"M" TFL Thermally Fused Laminate Top Thermally Fused Laminate Chassis	
<b>Left Post</b>							
72 x 36/54 x 29	210	CPC7254DS756W	3178	CPC7254DS756G	3178	CPC7254DS756M	1340
72 x 30/48 x 29	200	CPC7248DS756W	3114	CPC7248DS756G	3114	CPC7248DS756M	1330
66 x 36/54 x 29	200	CPC6654DS756W	3102	CPC6654DS756G	3102	CPC6654DS756M	1320
66 x 30/48 x 29	170	CPC6648DS756W	2967	CPC6648DS756G	2967	CPC6648DS756M	1300
<b>Right Post</b>							
72 x 36/54 x 29	210	CPC7254DS755W	3178	CPC7254DS755G	3178	CPC7254DS755M	1340
72 x 30/48 x 29	200	CPC7248DS755W	3114	CPC7248DS755G	3114	CPC7248DS755M	1330
66 x 36/54 x 29	200	CPC6654DS755W	3102	CPC6654DS755G	3102	CPC6654DS755M	1320
66 x 30/48 x 29	170	CPC6648DS755W	2967	CPC6648DS755G	2967	CPC6648DS755M	1300

2 SELECT A FINISH

"W" Veneer	"G" HPL	"M" TFL	Finish
WAC	GAC	-	Amber Cherry
WRC	-	-	Caramel Cherry
WIC	GIC	-	Crimson Cherry
WEC	-	-	Ebony Cherry
WHC	GHC	MHC	Honey Cherry
WOC	GOC	MOC	KoKo Cherry
WSC	-	-	Scotch Cherry
WAM	GAM	-	Alabaster Maple
WCM	GCM	-	Clear Maple
WWM	GWM	-	Wheat Maple
WEW	GEW	-	Executive Walnut
WRW	GRW	-	Gray Luster Walnut
WGW	-	MGW	Gunstock Walnut
WJW	-	-	Judicial Walnut
WNW	GNW	-	Natural Walnut
WTW	GTW	MTW	Studio Teak Walnut
WWP	GWL	MWL	Designer White
<b>METAL FINISHES</b>			
MFB	-	-	Black
MFS	-	-	Silver

3 SELECT AN EDGE



4 SELECT HARDWARE

Hardware Option Not Available

5 OPTIONS

ACCESSORIES

- K2: Center Drawer w/ Skirt - \$375
- N/A with T80 or T90 options
- K28: Articulating Keyboard w/ Mouse - \$375
- K31: Center drawer w/o skirt - \$195
- N/A with T80 or T90 options

GROMMETS (NON-STANDARD LOCATION)

- Provide drawing w/ grommet location and specify color - \$90 ea.
- Black: TM30-NS
- Silver: TM31-NS
- Antique Brass: TM33-NS

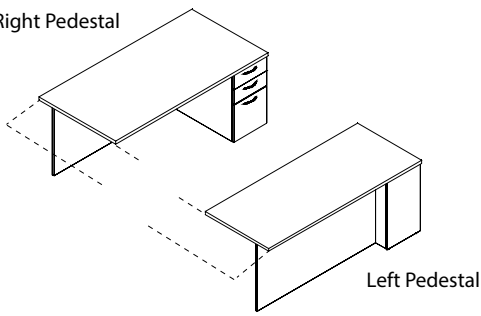
MODESTY

- M45: SilverLuma frame/frost insert (Full Modesty) - \$725
- HM45: SilverLuma frame/frost insert (Half Modesty) - \$395
- MC50: Full veneer/Laminate modesty - \$175
- MC51: Half veneer/laminate modesty - \$125

SERVICE DESKS

- For Ledge, Classic, Cobee, Cove, Flat, Knife, Reed, and Waterfall edges, specify T80 or T81
- T80: Edge Curve User Side - n/c
- For Bullnose, Ogee and Radius edges, Specify T90 or T91
- T90: Hardwood Edge Curve User Side - \$595

Right Pedestal



Left Pedestal

**WORKSTATION RUNOFF DESKS SINGLE FULL PEDESTAL**

**BREAKFRONT RUNOFF**

**STANDARD FEATURES**

- Box/Box/File
- Full fixed modesty w/ "L" support end
- Full extension drawers - locking
- Hookup hardware
- Soft close suspension drawer(s)

- See Bench Runoff Supports when using with Bench Credenza

**NOTES**

- 6" Recessed Modesty
- All units are standard w/ flush ends
- Hooks to credenzas

[CLICK HERE TO VIEW PRODUCT INDEX](#)

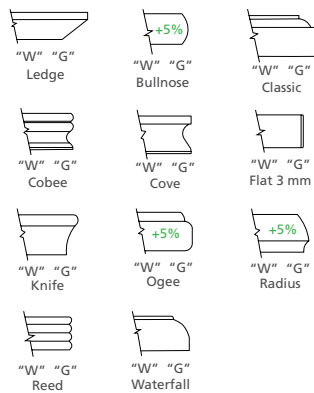
**1 SELECT A STYLE**

DIMENSIONS		STYLE NUMBER	LIST PRICE	STYLE NUMBER	LIST PRICE	STYLE NUMBER	LIST PRICE
W" x D" x H"	WGT	"W" Veneer Veneer Top Veneer Chassis		"G" HPL High Pressure Laminate Top Veneer Chassis		"M" TFL Thermally Fused Laminate Top Thermally Fused Laminate Chassis	
<b>Left Pedestal</b>							
84 x 36 x 29	260	CPC8436DR019W	3114	CPC8436DR019G	3114	CPC8436DR019M	1790
78 x 36 x 29	245	CPC7836DR019W	2846	CPC7836DR019G	2846	CPC7836DR019M	1775
72 x 36 x 29	250	CPC7236DR019W	2648	CPC7236DR019G	2648	CPC7236DR019M	1760
72 x 30 x 29	230	CPC7230DR019W	2578	CPC7230DR019G	2578	CPC7230DR019M	1560
66 x 30 x 29	210	CPC6630DR019W	2470	CPC6630DR019G	2470	CPC6630DR019M	1535
60 x 30 x 29	200	CPC6030DR019W	2393	CPC6030DR019G	2393	CPC6030DR019M	1510
54 x 30 x 29	180	CPC5430DR019W	2322	CPC5430DR019G	2322	CPC5430DR019M	1485
<b>Right Pedestal</b>							
84 x 36 x 29	260	CPC8436DR020W	3114	CPC8436DR020G	3114	CPC8436DR020M	1790
78 x 36 x 29	245	CPC7836DR020W	2846	CPC7836DR020G	2846	CPC7836DR020M	1775
72 x 36 x 29	250	CPC7236DR020W	2648	CPC7236DR020G	2648	CPC7236DR020M	1760
72 x 30 x 29	230	CPC7230DR020W	2578	CPC7230DR020G	2578	CPC7230DR020M	1560
66 x 30 x 29	210	CPC6630DR020W	2470	CPC6630DR020G	2470	CPC6630DR020M	1535
60 x 30 x 29	200	CPC6030DR020W	2393	CPC6030DR020G	2393	CPC6030DR020M	1510
54 x 30 x 29	180	CPC5430DR020W	2322	CPC5430DR020G	2322	CPC5430DR020M	1485

**2 SELECT A FINISH**

"W" Veneer	"G" HPL	"M" TFL	Finish
WAC	GAC	-	Amber Cherry
WRC	-	-	Caramel Cherry
WIC	GIC	-	Crimson Cherry
WEC	-	-	Ebony Cherry
WHC	GHC	MHC	Honey Cherry
WOC	GOC	MOC	KoKo Cherry
WSC	-	-	Scotch Cherry
WAM	GAM	-	Alabaster Maple
WCM	GCM	-	Clear Maple
WWM	GWM	-	Wheat Maple
WEW	GEW	-	Executive Walnut
WRW	GRW	-	Gray Luster Walnut
WGW	-	MGW	Gunstock Walnut
WJW	-	-	Judicial Walnut
WNW	GNW	-	Natural Walnut
WTW	GTW	MTW	Studio Teak Walnut
WWP	GWL	MWL	Designer White

**3 SELECT AN EDGE**



**5 OPTIONS**

**ACCESSORIES**

- K28: Articulating Keyboard w/ Mouse - \$375
- K31: Center drawer w/o skirt - \$195

**DRAWER**

- P6: Modify Box/Box/File to File/File - \$50 per pedestal
- P33: Wood Drawer Upgrade - \$40 per drawer
- WPD3061: Full fill designer white - \$75 per pedestal

**GROMMETS (STANDARD LOCATION)**

- Specify Color and Left/Right - \$45 ea.
- Black: TM30-R (Right), TM30-L (Left)
- Silver: TM31-R (Right), TM31-L (Left)
- Antique Brass: TM33-R (Right), TM33-L (Left)

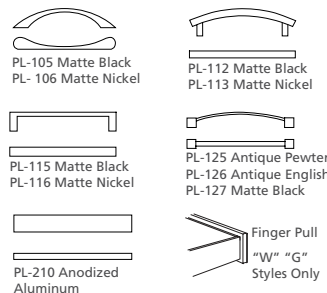
**GROMMETS (NON-STANDARD LOCATION)**

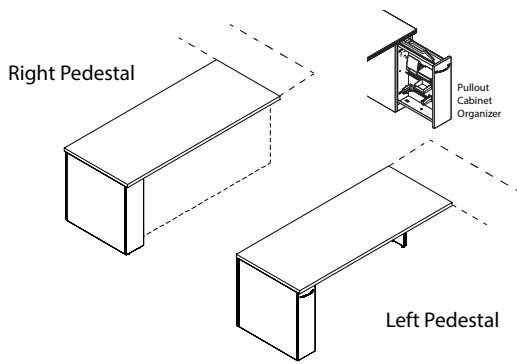
- Provide drawing w/ grommet location and specify color - \$90 ea.
- Black: TM30-NS
- Silver: TM31-NS
- Antique Brass: TM33-NS

**MODESTY**

- DM55: Delete Modesty Panel - Deduct \$ 75

**4 SELECT HARDWARE**





**ORGANIZER RUNOFF DESK**

**STANDARD FEATURES**

- 8" W Pullout cabinet standard with pencil trays, CD trays, hanging folder rack and utility trays
- Soft close suspension drawer(s)

**NOTES**

- All units are standard w/ flush ends
- Verify Desk Kneespace On Sizes Under 66"W
- See Bench Runoff Supports when using with Bench Credenza

[CLICK HERE TO VIEW PRODUCT INDEX](#)

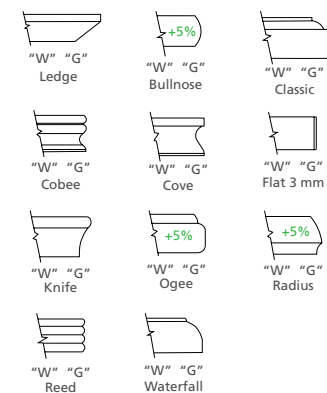
**1 SELECT A STYLE**

DIMENSIONS		STYLE NUMBER		LIST PRICE	STYLE NUMBER		LIST PRICE	STYLE NUMBER		LIST PRICE
W" x D" x H"	WGT	"W" Veneer Veneer Top Veneer Chassis	"G" HPL High Pressure Laminate Top Veneer Chassis		"M" TFL Thermally Fused Laminate Top Thermally Fused Laminate Chassis					
<b>Left Pedestal</b>										
84 x 30 x 29	220	CPC8430DR708W	CPC8430DR708G	3102	CPC8430DR708M	3102	2065			
78 x 30 x 29	190	CPC7830DR708W	CPC7830DR708G	2910	CPC7830DR708M	2910	2030			
72 x 30 x 29	160	CPC7230DR708W	CPC7230DR708G	2777	CPC7230DR708M	2777	1995			
66 x 30 x 29	150	CPC6630DR708W	CPC6630DR708G	2642	CPC6630DR708M	2642	1960			
60 x 30 x 29	140	CPC6030DR708W	CPC6030DR708G	2508	CPC6030DR708M	2508	1925			
54 x 30 x 29	130	CPC5430DR708W	CPC5430DR708G	2374	CPC5430DR708M	2374	1890			
<b>Right Pedestal</b>										
84 x 30 x 29	220	CPC8430DR707W	CPC8430DR707G	3102	CPC8430DR707M	3102	2065			
78 x 30 x 29	190	CPC7830DR707W	CPC7830DR707G	2910	CPC7830DR707M	2910	2030			
72 x 30 x 29	160	CPC7230DR707W	CPC7230DR707G	2777	CPC7230DR707M	2777	1995			
66 x 30 x 29	150	CPC6630DR707W	CPC6630DR707G	2642	CPC6630DR707M	2642	1960			
60 x 30 x 29	140	CPC6030DR707W	CPC6030DR707G	2508	CPC6030DR707M	2508	1925			
54 x 30 x 29	130	CPC5430DR707W	CPC5430DR707G	2374	CPC5430DR707M	2374	1890			

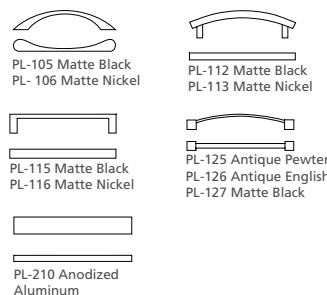
**2 SELECT A FINISH**

"W" Veneer	"G" HPL	"M" TFL	Finish
WAC	GAC	-	Amber Cherry
WRC	-	-	Caramel Cherry
WIC	GIC	-	Crimson Cherry
WEC	-	-	Ebony Cherry
WHC	GHC	MHC	Honey Cherry
WOC	GOC	MOC	KoKo Cherry
WSC	-	-	Scotch Cherry
WAM	GAM	-	Alabaster Maple
WCM	GCM	-	Clear Maple
WWM	GWM	-	Wheat Maple
WEW	GEW	-	Executive Walnut
WRW	GRW	-	Gray Luster Walnut
WGW	-	MGW	Gunstock Walnut
WJW	-	-	Judicial Walnut
WNW	GNW	-	Natural Walnut
WTW	GTW	MTW	Studio Teak Walnut
WWP	GWL	MWL	Designer White

**3 SELECT AN EDGE**



**4 SELECT HARDWARE**



**5 OPTIONS**

**ACCESSORIES**

- K28: Articulating Keyboard w/ Mouse - \$375
- K31: Center drawer w/o skirt - \$195

**GROMMETS (STANDARD LOCATION)**

- Specify Color and Left/Right - \$45 ea.
- Black: TM30-R (Right), TM30-L (Left)
  - Silver: TM31-R (Right), TM31-L (Left)
  - Antique Brass: TM33-R (Right), TM33-L (Left)

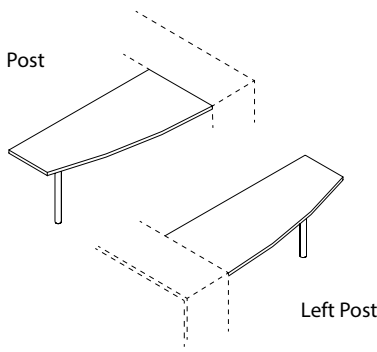
**GROMMETS (STANDARD LOCATION)**

- Specify Color and Left/Right - \$45 ea.
- Black: TM30-R (Right), TM30-L (Left)
  - Silver: TM31-R (Right), TM31-L (Left)
  - Antique Brass: TM33-R (Right), TM33-L (Left)

**MODESTY**

- M45: SilverLuma frame/frost insert (Full Modesty) - \$725
- HM45: SilverLuma frame/frost insert (Half Modesty) - \$395
- ML50: Full veneer/Laminate modesty - \$195
- ML51: Half Veneer/ Laminate Modesty - \$175

Right Post



Left Post

**ELLIPTICAL RUNOFF DESK**

**STANDARD FEATURES**

- 3" Silver anodized aluminum post leg standard (Optional black leg - n/c)
- Hookup hardware

**NOTES**

- Verify Desk Kneespace On Sizes Under 66"W
- See Bench Runoff Supports when using with Bench Credenza

[CLICK HERE TO VIEW PRODUCT INDEX](#)

**1 SELECT A STYLE**

DIMENSIONS		STYLE NUMBER	LIST PRICE	STYLE NUMBER	LIST PRICE	STYLE NUMBER	LIST PRICE
W" x D" x H"	WGT	"W" Veneer Veneer Top Veneer Chassis		"G" HPL High Pressure Laminate Top Veneer Chassis		"M" TFL Thermally Fused Laminate Top Thermally Fused Laminate Chassis	
<b>Left Post</b>							
72 x 30/24 x 29	165	CPC7230DR706W	2170	CPC7230DR706G	2170	CPC7230DR706M	935
66 x 30/24 x 29	145	CPC6630DR706W	2080	CPC6630DR706G	2080	CPC6630DR706M	905
60x 30/24 x 29	135	CPC6030DR706W	2017	CPC6030DR706G	2017	CPC6030DR706M	875
54 x 30/24 x 29	125	CPC5430DR706W	1972	CPC5430DR706G	1972	CPC5430DR706M	845
<b>Right Post</b>							
72 x 30/24 x 29	165	CPC7230DR705W	2170	CPC7230DR705G	2170	CPC7230DR705M	935
66 x 30/24 x 29	145	CPC6630DR705W	2080	CPC6630DR705G	2080	CPC6630DR705M	905
60 x 30/24 x 29	135	CPC6030DR705W	2017	CPC6030DR705G	2017	CPC6030DR705M	875
54 x 30/24 x 29	125	CPC5430DR705W	1972	CPC5430DR705G	1972	CPC5430DR705M	845

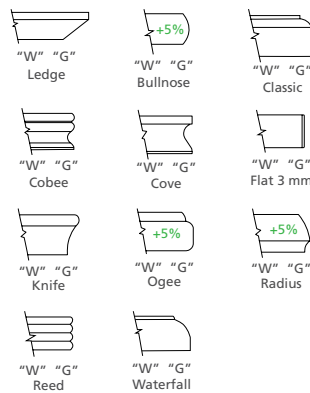
**2 SELECT A FINISH**

"W" Veneer	"G" HPL	"M" TFL	Finish
WAC	GAC	-	Amber Cherry
WRC	-	-	Caramel Cherry
WIC	GIC	-	Crimson Cherry
WEC	-	-	Ebony Cherry
WHC	GHC	MHC	Honey Cherry
WOC	GOC	MOC	KoKo Cherry
WSC	-	-	Scotch Cherry
WAM	GAM	-	Alabaster Maple
WCM	GCM	-	Clear Maple
WWM	GWM	-	Wheat Maple
WEW	GEW	-	Executive Walnut
WRW	GRW	-	Gray Luster Walnut
WGW	-	MGW	Gunstock Walnut
WJW	-	-	Judicial Walnut
WNW	GNW	-	Natural Walnut
WTW	GTW	MTW	Studio Teak Walnut
WWP	GWL	MWL	Designer White

METAL FINISHES

MFB	-	-	Black
MFS	-	-	Silver

**3 SELECT AN EDGE**



**4 SELECT HARDWARE**

Hardware Option Not Available

**5 OPTIONS**

**ACCESSORIES**

- K2: Center Drawer w/ Skirt - \$375
- K28: Articulating Keyboard w/ Mouse - \$375
- K31: Center drawer w/o skirt - \$195
- W13: Vertical Wire Management Raceway for Round Table Legs - \$35 per piece

**BASE**

- SSB24: 24" Silver metal sleigh base - \$450
- SQL-S: Silver square post leg - deduct \$250
- SQL-B: Black square post leg - deduct \$250

**GROMMETS (STANDARD LOCATION)**

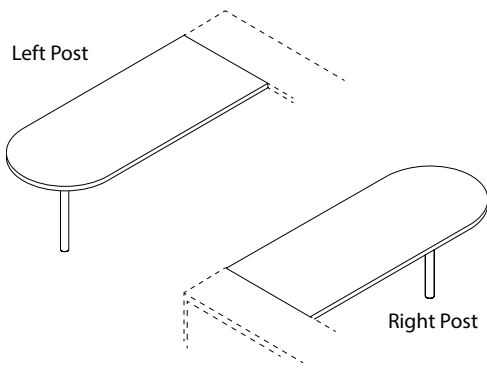
- Specify Color - \$45 ea.
- Black: TM30-C (Center)
- Silver: TM31-C (Center)
- Antique Brass: TM33-C (Center)

**GROMMETS (NON-STANDARD LOCATION)**

- Provide drawing w/ grommet location and specify color - \$90 ea.
- Black: TM30-NS
- Silver: TM31-NS
- Antique Brass: TM33-NS

**MODESTY**

- M45L: Silver Luma frame/frost insert (Full Modesty) - \$795
- HM45L: SilverLuma frame/frost insert (Half Modesty) - \$495
- ML50: Full veneer/Laminate modesty - \$195
- ML51: Half Veneer/ Laminate Modesty - \$175



**BULLET RUNOFF DESK**

**STANDARD FEATURES**

- 3" Silver anodized aluminum post leg standard (Optional black leg - n/c)
- Hookup hardware

**NOTES**

- "P" Tops and Bullets are not intended to be freestanding
- Verify Desk Kneespace On Sizes Under 66"W
- See Bench Runoff Supports when using with Bench Credenza

[CLICK HERE TO VIEW PRODUCT INDEX](#)

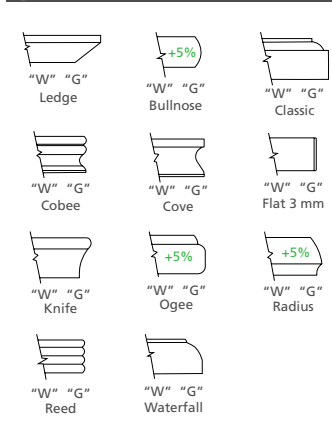
**1 SELECT A STYLE**

DIMENSIONS		STYLE NUMBER		LIST PRICE	STYLE NUMBER		LIST PRICE	STYLE NUMBER		LIST PRICE
W" x D" x H"	WGT	"W" Veneer Veneer Top Veneer Chassis	"G" HPL High Pressure Laminate Top Veneer Chassis		"M" TFL Thermally Fused Laminate Top Thermally Fused Laminate Chassis					
<b>Left Post</b>										
96 x 30 x 29	210	CPC9630DR745W	CPC9630DR745G	2240	CPC9630DR745M		2240		1070	
84 x 30 x 29	195	CPC8430DR745W	CPC8430DR745G	1972	CPC8430DR745M		1972		1035	
78 x 30 x 29	175	CPC7830DR745W	CPC7830DR745G	1934	CPC7830DR745M		1934		970	
72 x 30 x 29	155	CPC7230DR745W	CPC7230DR745G	1800	CPC7230DR745M		1800		935	
66 x 30 x 29	145	CPC6630DR745W	CPC6630DR745G	1710	CPC6630DR745M		1710		905	
60 x 30 x 29	135	CPC6030DR745W	CPC6030DR745G	1653	CPC6030DR745M		1653		875	
54 x 30 x 29	125	CPC5430DR745W	CPC5430DR745G	1595	CPC5430DR745M		1595		845	
<b>Right Post</b>										
96 x 30 x 29	210	CPC9630DR744W	CPC9630DR744G	2240	CPC9630DR744M		2240		1070	
84 x 30 x 29	195	CPC8430DR744W	CPC8430DR744G	1972	CPC8430DR744M		1972		1035	
78 x 30 x 29	175	CPC7830DR744W	CPC7830DR744G	1934	CPC7830DR744M		1934		970	
72 x 30 x 29	155	CPC7230DR744W	CPC7230DR744G	1800	CPC7230DR744M		1800		935	
66 x 30 x 29	145	CPC6630DR744W	CPC6630DR744G	1710	CPC6630DR744M		1710		905	
60 x 30 x 29	135	CPC6030DR744W	CPC6030DR744G	1653	CPC6030DR744M		1653		875	
54 x 30 x 29	125	CPC5430DR744W	CPC5430DR744G	1595	CPC5430DR744M		1595		845	

**2 SELECT A FINISH**

"W" Veneer	"G" HPL	"M" TFL	Finish
WAC	GAC	-	Amber Cherry
WRC	-	-	Caramel Cherry
WIC	GIC	-	Crimson Cherry
WEC	-	-	Ebony Cherry
WHC	GHC	MHC	Honey Cherry
WOC	GOC	MOC	KoKo Cherry
WSC	-	-	Scotch Cherry
WAM	GAM	-	Alabaster Maple
WCM	GCM	-	Clear Maple
WWM	GWM	-	Wheat Maple
WEW	GEW	-	Executive Walnut
WRW	GRW	-	Gray Luster Walnut
WGW	-	MGW	Gunstock Walnut
WJW	-	-	Judicial Walnut
WNW	GNW	-	Natural Walnut
WTW	GTW	MTW	Studio Teak Walnut
WWP	GWL	MWL	Designer White
<b>METAL FINISHES</b>			
MFB	-	-	Black
MFS	-	-	Silver

**3 SELECT AN EDGE**

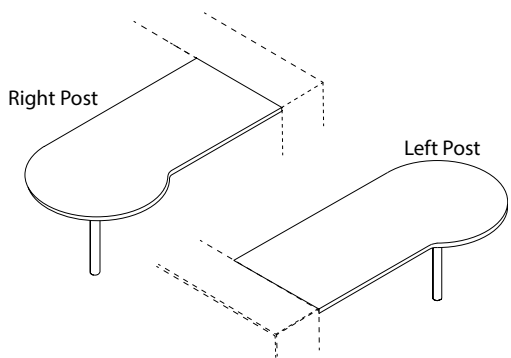


**4 SELECT HARDWARE**

Hardware Option Not Available

**5 OPTIONS**

- ACCESSORIES**
- K2: Center Drawer w/ Skirt - \$375
  - K28: Articulating Keyboard w/ Mouse - \$375
  - K31: Center drawer w/o skirt - \$195
- GROMMETS (STANDARD LOCATION)**
- Specify Color - \$45 ea.
- Black: TM30-C (Center)
  - Silver: TM31-C (Center)
  - Antique Brass: TM33-C (Center)
- GROMMETS (NON-STANDARD LOCATION)**
- Provide drawing w/ grommet location and specify color - \$90 ea.
- Black: TM30-NS
  - Silver: TM31-NS
  - Antique Brass: TM33-NS
- MODESTY**
- M45L: Silver Luma frame/frost insert (Full Modesty) - \$795
  - HM45L: SilverLuma frame/frost insert (Half Modesty) - \$495
  - ML50: Full veneer/Laminate modesty - \$195
  - ML51: Half Veneer/ Laminate Modesty - \$175



**"P" RUNOFF DESK**

**STANDARD FEATURES**

- 3" Silver anodized aluminum post leg standard (Optional black leg - n/c)
- Hookup hardware

**NOTES**

- "P" Tops and Bullets are not intended to be freestanding
- Verify Desk Kneespace On Sizes Under 66"W
- See Bench Runoff Supports when using with Bench Credenza

[CLICK HERE TO VIEW PRODUCT INDEX](#)

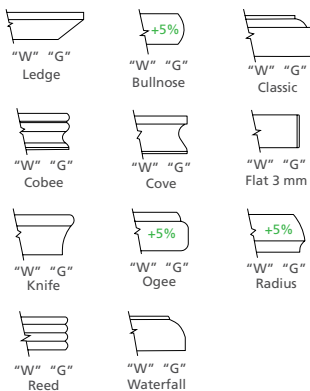
**1 SELECT A STYLE**

DIMENSIONS		STYLE NUMBER	LIST PRICE	STYLE NUMBER	LIST PRICE	STYLE NUMBER	LIST PRICE
W" x D" x H"	WGT	"W" Veneer Veneer Top Veneer Chassis		"G" HPL High Pressure Laminate Top Veneer Chassis		"M" TFL Thermally Fused Laminate Top Thermally Fused Laminate Chassis	
<b>Left Post</b>							
96 x 30/36 x 29	225	CPC9636DR747W	2591	CPC9636DR747G	2591	CPC9636DR747M	1145
84 x 30/36 x 29	225	CPC8436DR747W	2322	CPC8436DR747G	2322	CPC8436DR747M	1110
78 x 30/36 x 29	185	CPC7836DR747W	2150	CPC7836DR747G	2150	CPC7836DR747M	1045
72 x 30/36 x 29	165	CPC7236DR747W	2017	CPC7236DR747G	2017	CPC7236DR747M	1010
66 x 30/36 x 29	150	CPC6636DR747W	1928	CPC6636DR747G	1928	CPC6636DR747M	980
60 x 30/36 x 29	140	CPC6036DR747W	1857	CPC6036DR747G	1857	CPC6036DR747M	950
54 x 30/36 x 29	130	CPC5436DR747W	1812	CPC5436DR747G	1812	CPC5436DR747M	920
<b>Right Post</b>							
96 x 30/36 x 29	225	CPC9636DR746W	2591	CPC9636DR746G	2591	CPC9636DR746M	1145
84 x 30/36 x 29	225	CPC8436DR746W	2322	CPC8436DR746G	2322	CPC8436DR746M	1110
78 x 30/36 x 29	185	CPC7836DR746W	2150	CPC7836DR746G	2150	CPC7836DR746M	1045
72 x 30/36 x 29	165	CPC7236DR746W	2017	CPC7236DR746G	2017	CPC7236DR746M	1010
66 x 30/36 x 29	150	CPC6636DR746W	1928	CPC6636DR746G	1928	CPC6636DR746M	980
60 x 30/36 x 29	140	CPC6036DR746W	1857	CPC6036DR746G	1857	CPC6036DR746M	950
54 x 30/36 x 29	130	CPC5436DR746W	1812	CPC5436DR746G	1812	CPC5436DR746M	920

**2 SELECT A FINISH**

"W" Veneer	"G" HPL	"M" TFL	Finish
WAC	GAC	-	Amber Cherry
WRC	-	-	Caramel Cherry
WIC	GIC	-	Crimson Cherry
WEC	-	-	Ebony Cherry
WHC	GHC	MHC	Honey Cherry
WOC	GOC	MOC	KoKo Cherry
WSC	-	-	Scotch Cherry
WAM	GAM	-	Alabaster Maple
WCM	GCM	-	Clear Maple
WWM	GWM	-	Wheat Maple
WEW	GEW	-	Executive Walnut
WRW	GRW	-	Gray Luster Walnut
WGW	-	MGW	Gunstock Walnut
WJW	-	-	Judicial Walnut
WNW	GNW	-	Natural Walnut
WTW	GTW	MTW	Studio Teak Walnut
WWP	GWL	MWL	Designer White
<b>METAL FINISHES</b>			
MFB	-	-	Black
MFS	-	-	Silver

**3 SELECT AN EDGE**

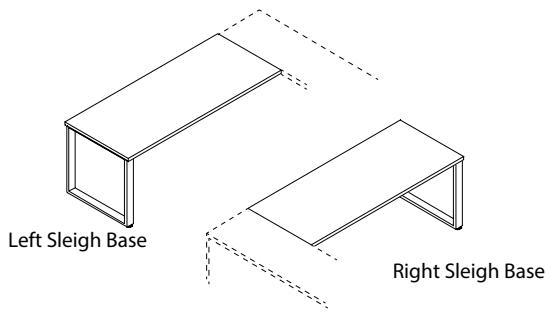


**5 OPTIONS**

- ACCESSORIES**
- K2: Center Drawer w/ Skirt - \$375
  - K28: Articulating Keyboard w/ Mouse - \$375
  - K31: Center drawer w/o skirt - \$195
- GROMMETS (STANDARD LOCATION)**
- Specify Color - \$45 ea.
- Black: TM30-C (Center)
  - Silver: TM31-C (Center)
  - Antique Brass: TM33-C (Center)
- GROMMETS (NON-STANDARD LOCATION)**
- Provide drawing w/ grommet location and specify color - \$90 ea.
- Black: TM30-NS
  - Silver: TM31-NS
  - Antique Brass: TM33-NS
- MODESTY**
- M45L: Silver Luma frame/frost insert (Full Modesty) - \$795
  - HM45L: SilverLuma frame/frost insert (Half Modesty) - \$495
  - ML50: Full veneer/Laminate modesty - \$195
  - ML51: Half Veneer/ Laminate Modesty - \$175

**4 SELECT HARDWARE**

Hardware Option Not Available



**RECTANGLE RUNOFF DESK**

**STANDARD FEATURES**

- Hookup hardware
- Metal sleigh base - standard silver finish

**NOTES**

- See Bench Runoff Supports when using with Bench Credenza

[CLICK HERE TO VIEW PRODUCT INDEX](#)

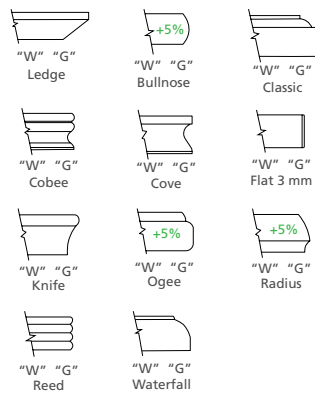
**1 SELECT A STYLE**

DIMENSIONS		STYLE NUMBER		LIST PRICE	STYLE NUMBER		LIST PRICE	STYLE NUMBER		LIST PRICE
W" x D" x H"	WGT	"W" Veneer	Veneer Top Veneer Chassis		"G" HPL	High Pressure Laminate Top Veneer Chassis		"M" TFL	Thermally Fused Laminate Top Thermally Fused Laminate Chassis	
<b>Left Sleigh</b>										
96 x 30 x 29	210	CPC9630DR771W		2356	CPC9630DR771G		2356	CPC9630DR771M		1280
84 x 30 x 29	195	CPC8430DR771W		2087	CPC8430DR771G		2087	CPC8430DR771M		1245
78 x 30 x 29	175	CPC7830DR771W		2050	CPC7830DR771G		2050	CPC7830DR771M		1180
72 x 30 x 29	155	CPC7230DR771W		1954	CPC7230DR771G		1954	CPC7230DR771M		1145
66 x 30 x 29	145	CPC6630DR771W		1889	CPC6630DR771G		1889	CPC6630DR771M		1115
60 x 30 x 29	135	CPC6030DR771W		1821	CPC6030DR771G		1821	CPC6030DR771M		1085
54 x 30 x 29	125	CPC5430DR771W		1756	CPC5430DR771G		1756	CPC5430DR771M		1055
<b>Right Sleigh</b>										
96 x 30 x 29	210	CPC9630DR770W		2356	CPC9630DR770G		2356	CPC9630DR770M		1280
84 x 30 x 29	195	CPC8430DR770W		2087	CPC8430DR770G		2087	CPC8430DR770M		1245
78 x 30 x 29	175	CPC7830DR770W		2050	CPC7830DR770G		2050	CPC7830DR770M		1180
72 x 30 x 29	155	CPC7230DR770W		1954	CPC7230DR770G		1954	CPC7230DR770M		1145
66 x 30 x 29	145	CPC6630DR770W		1889	CPC6630DR770G		1889	CPC6630DR770M		1115
60 x 30 x 29	135	CPC6030DR770W		1821	CPC6030DR770G		1821	CPC6030DR770M		1085
54 x 30 x 29	125	CPC5430DR770W		1756	CPC5430DR770G		1756	CPC5430DR770M		1055

**2 SELECT A FINISH**

"W" Veneer	"G" HPL	"M" TFL	Finish
WAC	GAC	-	Amber Cherry
WRC	-	-	Caramel Cherry
WIC	GIC	-	Crimson Cherry
WEC	-	-	Ebony Cherry
WHC	GHC	MHC	Honey Cherry
WOC	GOC	MOC	KoKo Cherry
WSC	-	-	Scotch Cherry
WAM	GAM	-	Alabaster Maple
WCM	GCM	-	Clear Maple
WWM	GWM	-	Wheat Maple
WEW	GEW	-	Executive Walnut
WRW	GRW	-	Gray Luster Walnut
WGW	-	MGW	Gunstock Walnut
WJW	-	-	Judicial Walnut
WNW	GNW	-	Natural Walnut
WTW	GTW	MTW	Studio Teak Walnut
WWP	GWL	MWL	Designer White
<b>METAL FINISHES</b>			
MFB	-	-	Black (Premium Finish)
MFS	-	-	Silver

**3 SELECT AN EDGE**



**4 SELECT HARDWARE**

Hardware Option Not Available

**5 OPTIONS**

**ACCESSORIES**

- K2: Center Drawer w/ Skirt - \$375
- K28: Articulating Keyboard w/ Mouse - \$375
- K31: Center drawer w/o skirt - \$195

**BASE**

- RDL-S: Silver round post leg - deduct \$250
- RDL-B: Black round post leg - deduct \$250
- SQL-S: Silver square post leg - deduct \$250
- SQL-B: Black square post leg - deduct \$250

**GROMMETS (STANDARD LOCATION)**

- Specify Color and Left/Right/Center - \$45 ea.
- Black: TM30-R (Right), TM30-L (Left), TM30-C (Center)
- Silver: TM31-R (Right), TM31-L (Left), TM31-C (Center)
- Antique Brass: TM33-R (Right), TM33-L (Left), TM33-C (Center)

**GROMMETS (NON-STANDARD LOCATION)**

- Provide drawing w/ grommet location and specify color - \$90 ea.
- Black: TM30-NS
- Silver: TM31-NS
- Antique Brass: TM33-NS

**MODESTY**

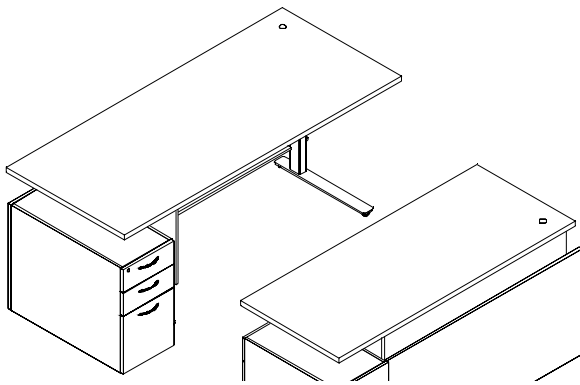
- M45L: Silver Luma frame/frost insert (Full Modesty) - \$795
- HM45L: SilverLuma frame/frost insert (Half Modesty) - \$495
- ML50: Full veneer/Laminate modesty - \$195
- ML51: Half Veneer/ Laminate Modesty - \$175

**PREMIUM FINISH OPTION**

- MFB: Black metal finish - \$95 per base



HEIGHT ADJUSTABLE WORKSTATION RUNOFF DESKS



HEIGHT ADJUSTABLE BREAKFAST RUNOFF DESK

STANDARD FEATURES

- 1 Standard grommet - matches pull finish or specify black TM30, silver TM31 or antique brass TM33
- Adjustable height from 29" to 47.5" with a maximum weight capacity of 250 lbs.
- Box/Box/File
- Electronic mechanism with programmable lift
- Fully assembled
- Full fixed modesty w/ "L" support end
- Hookup hardware

- Metal parts include 5 year warranty
- Motor includes 2 year warranty

NOTES

- No Center Drawer available
- Modesty surround lifts w/ work surface

[CLICK HERE TO VIEW PRODUCT INDEX](#)

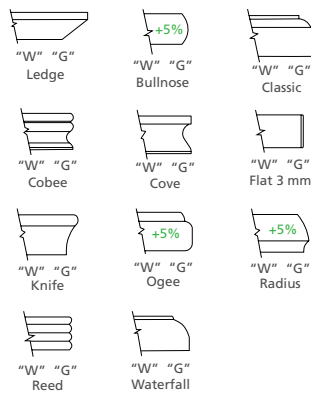
1 SELECT A STYLE

DIMENSIONS		STYLE NUMBER		LIST PRICE	STYLE NUMBER		LIST PRICE	STYLE NUMBER		LIST PRICE
"W" x D" x H"	WGT	"W" Veneer Veneer Top Veneer Chassis	"G" HPL High Pressure Laminate Top Veneer Chassis		"M" TFL Thermally Fused Laminate Top Thermally Fused Laminate Chassis					
<b>Left Pedestal</b>										
84 x 36 x 29-47.5	315	CPC8436DR710W		7400	CPC8436DR710G		7400	CPC8436DR710M		5645
72 x 36 x 29-47.5	275	CPC7236DR710W		6935	CPC7236DR710G		6935	CPC7236DR710M		5615
72 x 30 x 29-47.5	255	CPC7230DR710W		6690	CPC7230DR710G		6690	CPC7230DR710M		5245
66 x 36 x 29-47.5	255	CPC6636DR710W		6795	CPC6636DR710G		6795	CPC6636DR710M		5510
66 x 30 x 29-47.5	235	CPC6630DR710W		6495	CPC6630DR710G		6495	CPC6630DR710M		5130
60 x 30 x 29-47.5	215	CPC6030DR710W		6420	CPC6030DR710G		6420	CPC6030DR710M		5105
<b>Right Pedestal</b>										
84 x 36 x 29-47.5	315	CPC8436DR709W		7400	CPC8436DR709G		7400	CPC8436DR709M		5645
72 x 36 x 29-47.5	275	CPC7236DR709W		6935	CPC7236DR709G		6935	CPC7236DR709M		5615
72 x 30 x 29-47.5	255	CPC7230DR709W		6690	CPC7230DR709G		6690	CPC7230DR709M		5245
66 x 36 x 29-47.5	255	CPC6636DR709W		6795	CPC6636DR709G		6795	CPC6636DR709M		5510
66 x 30 x 29-47.5	235	CPC6630DR709W		6495	CPC6630DR709G		6495	CPC6630DR709M		5130
60 x 30 x 29-47.5	215	CPC6030DR709W		6420	CPC6030DR709G		6420	CPC6030DR709M		5105

2 SELECT A FINISH

"W" Veneer	"G" HPL	"M" TFL	Finish
WAC	GAC	-	Amber Cherry
WRC	-	-	Caramel Cherry
WIC	GIC	-	Crimson Cherry
WEC	-	-	Ebony Cherry
WHC	GHC	MHC	Honey Cherry
WOC	GOC	MOC	KoKo Cherry
WSC	-	-	Scotch Cherry
WAM	GAM	-	Alabaster Maple
WCM	GCM	-	Clear Maple
WWM	GWM	-	Wheat Maple
WEW	GEW	-	Executive Walnut
WRW	GRW	-	Gray Luster Walnut
WGW	-	MGW	Gunstock Walnut
WJW	-	-	Judicial Walnut
WNW	GNW	-	Natural Walnut
WTW	GTW	MTW	Studio Teak Walnut
WWP	GWL	MWL	Designer White

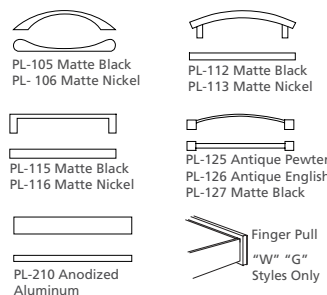
3 SELECT AN EDGE



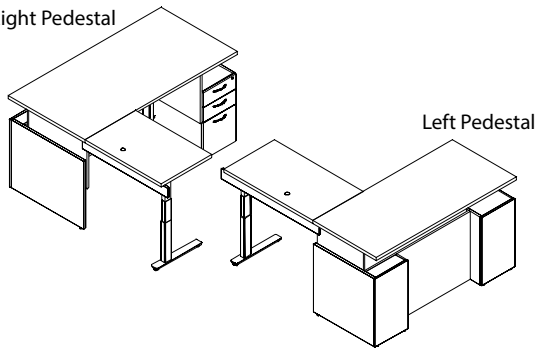
5 OPTIONS

- DRAWER**
- P6: Modify Box/Box/File to File/File - \$50 per pedestal
  - P33: Wood Drawer Upgrade - \$40 per drawer
  - WPD3061: Full fill designer white - \$75 per pedestal
- GROMMETS (STANDARD LOCATION)**
- Specify Color - \$45 ea.
- Black: TM30-C (Center)
  - Silver: TM31-C (Center)
  - Antique Brass: TM33-C (Center)
- GROMMETS (NON-STANDARD LOCATION)**
- Provide drawing w/ grommet location and specify color - \$90 ea.
- Black: TM30-NS
  - Silver: TM31-NS
  - Antique Brass: TM33-NS

4 SELECT HARDWARE



Right Pedestal



**HEIGHT ADJUSTABLE BOX/BOX/FILE PEDESTAL WITH BRIDGE**

**"L" DOUBLE BREAKFONT / SINGLE PEDESTAL DESKS WITH 42" BRIDGE**

**STANDARD FEATURES**

- 1 Standard grommet - matches pull finish or specify black TM30, silver TM31 or antique brass TM33
- Adjustable height from 29" to 47.5" with a maximum weight capacity of 375 lbs.
- Box/Box/File
- Electronic mechanism with programmable lift
- Height adjustable bridge
- Metal parts include 5 year warranty
- Motor includes 2 year warranty

**NOTES**

- No Center Drawer available
- Modesty surround lifts w/ work surface

[CLICK HERE TO VIEW PRODUCT INDEX](#)

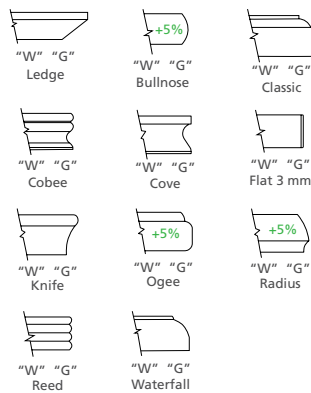
**1 SELECT A STYLE**

DIMENSIONS		STYLE NUMBER	LIST PRICE	STYLE NUMBER	LIST PRICE	STYLE NUMBER	LIST PRICE
W" x D" x H"	WGT	"W" Veneer Veneer Top Veneer Chassis		"G" HPL High Pressure Laminate Top Veneer Chassis		"M" TFL Thermally Fused Laminate Top Thermally Fused Laminate Chassis	
<b>Left Pedestal</b>							
84 x 36/78 x 29-47.5	415	CPC8436DS739W	9365	CPC8436DS739G	9365	CPC8436DS739M	7450
72 x 30/72 x 29-47.5	355	CPC7230DS739W	8900	CPC7230DS739G	8900	CPC7230DS739M	7055
66 x 30/72 x 29-47.5	335	CPC6630DS739W	8825	CPC6630DS739G	8825	CPC6630DS739M	6590
<b>Right Pedestal</b>							
84 x 36/78 x 29-47.5	415	CPC8436DS738W	9365	CPC8436DS738G	9365	CPC8436DS738M	7450
72 x 30/72 x 29-47.5	355	CPC7230DS738W	8900	CPC7230DS738G	8900	CPC7230DS738M	7055
66 x 30/72 x 29-47.5	335	CPC6630DS738W	8825	CPC6630DS738G	8825	CPC6630DS738M	6590

**2 SELECT A FINISH**

"W" Veneer	"G" HPL	"M" TFL	
WAC	GAC	-	Amber Cherry
WRC	-	-	Caramel Cherry
WIC	GIC	-	Crimson Cherry
WEC	-	-	Ebony Cherry
WHC	GHC	MHC	Honey Cherry
WOC	GOC	MOC	KoKo Cherry
WSC	-	-	Scotch Cherry
WAM	GAM	-	Alabaster Maple
WCM	GCM	-	Clear Maple
WWM	GWM	-	Wheat Maple
WEW	GEW	-	Executive Walnut
WRW	GRW	-	Gray Luster Walnut
WGW	-	MGW	Gunstock Walnut
WJW	-	-	Judicial Walnut
WNW	GNW	-	Natural Walnut
WTW	GTW	MTW	Studio Teak Walnut
WWP	GWL	MWL	Designer White

**3 SELECT AN EDGE**



**5 OPTIONS**

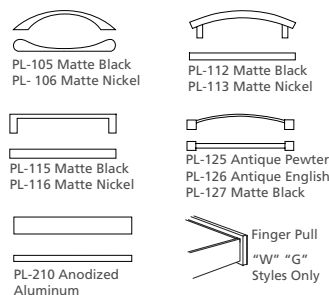
**DRAWER**

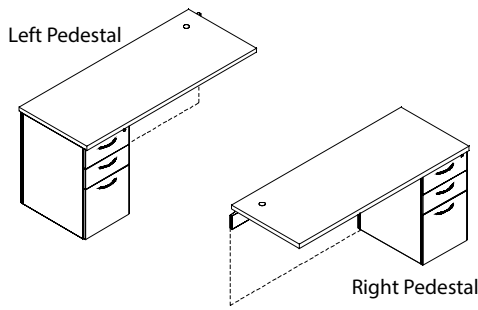
- P6: Modify Box/Box/File to File/File - \$50 per pedestal
- P33: Wood Drawer Upgrade - \$40 per drawer
- WPD3061: Full fill designer white - \$75 per pedestal

**GROMMETS (NON-STANDARD LOCATION)**

- Provide drawing w/ grommet location and specify color - \$90 ea.
- Black: TM30-NS
- Silver: TM31-NS
- Antique Brass: TM33-NS

**4 SELECT HARDWARE**





"L" WORKSTATION RETURN - BOX/BOX/FILE

STANDARD FEATURES

42"/48"/60" Sizes

- 1 Standard grommet - matches pull finish or specify black TM30, silver TM31 or antique brass TM33
- 4" H back rail - open back
- Full extension drawers - locking
- Soft close suspension drawer(s)

NOTES

- All units are standard w/ flush ends
- Grain Direction Runs Front To Back On

[CLICK HERE TO VIEW PRODUCT INDEX](#)

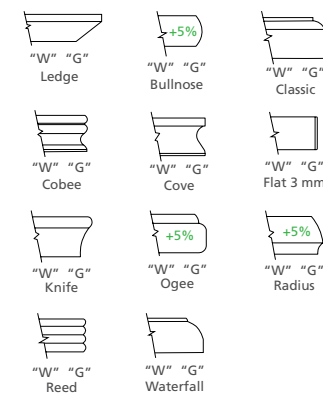
1 SELECT A STYLE

DIMENSIONS		STYLE NUMBER	LIST PRICE	STYLE NUMBER	LIST PRICE	STYLE NUMBER	LIST PRICE
W" x D" x H"	WGT	"W" Veneer Veneer Top Veneer Chassis		"G" HPL High Pressure Laminate Top Veneer Chassis		"M" TFL Thermally Fused Laminate Top Thermally Fused Laminate Chassis	
<b>Left Pedestal</b>							
60 x 24 x 29	135	CPC6024RE175W	1997	CPC6024RE175G	1997	CPC6024RE175M	1195
48 x 24 x 29	125	CPC4824RE175W	1889	CPC4824RE175G	1889	CPC4824RE175M	1175
42 x 24 x 29	120	CPC4224RE175W	1837	CPC4224RE175G	1837	CPC4224RE175M	1160
48 x 19 x 29	120	CPC4819RE175W	1837	CPC4819RE175G	1837	CPC4819RE175M	1160
42 x 19 x 29	115	CPC4219RE175W	1775	CPC4219RE175G	1775	CPC4219RE175M	1145
<b>Right Pedestal</b>							
60 x 24 x 29	135	CPC6024RE176W	1997	CPC6024RE176G	1997	CPC6024RE176M	1195
48 x 24 x 29	125	CPC4824RE176W	1889	CPC4824RE176G	1889	CPC4824RE176M	1175
42 x 24 x 29	120	CPC4224RE176W	1837	CPC4224RE176G	1837	CPC4224RE176M	1160
48 x 19 x 29	120	CPC4819RE176W	1837	CPC4819RE176G	1837	CPC4819RE176M	1160
42 x 19 x 29	115	CPC4219RE176W	1775	CPC4219RE176G	1775	CPC4219RE176M	1145

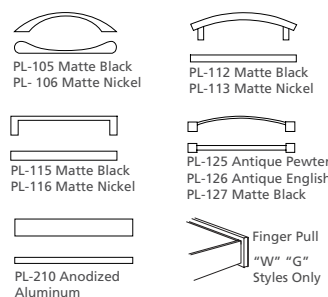
2 SELECT A FINISH

"W" Veneer	"G" HPL	"M" TFL	Finish
WAC	GAC	-	Amber Cherry
WRC	-	-	Caramel Cherry
WIC	GIC	-	Crimson Cherry
WEC	-	-	Ebony Cherry
WHC	GHC	MHC	Honey Cherry
WOC	GOC	MOC	KoKo Cherry
WSC	-	-	Scotch Cherry
WAM	GAM	-	Alabaster Maple
WCM	GCM	-	Clear Maple
WWM	GWM	-	Wheat Maple
WEW	GEW	-	Executive Walnut
WRW	GRW	-	Gray Luster Walnut
WGW	-	MGW	Gunstock Walnut
WJW	-	-	Judicial Walnut
WNW	GNW	-	Natural Walnut
WTW	GTW	MTW	Studio Teak Walnut
WWP	GWL	MWL	Designer White

3 SELECT AN EDGE



4 SELECT HARDWARE



5 OPTIONS

ACCESSORIES

- K28: Articulating Keyboard w/ Mouse - \$375

DRAWER

- P33: Wood Drawer Upgrade - \$40 per drawer
- P40W: extra Box/Box/File or File/File to Kneespace - \$875 ("W", "G")
- P40M: extra Box/Box/File or File/File to Kneespace - \$688 ("M")
- WPD3061: Full fill designer white - \$75 per pedestal

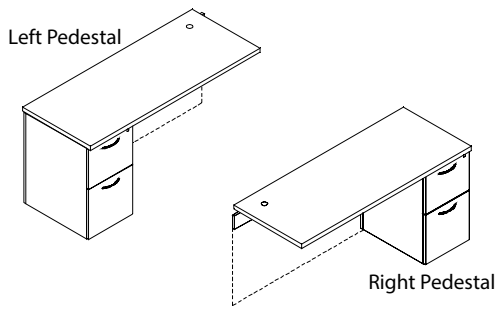
GROMMETS (NON-STANDARD LOCATION)

Provide drawing w/ grommet location and specify color - \$90 ea.

- Black: TM30-NS
- Silver: TM31-NS
- Antique Brass: TM33-NS

MODESTY

- M34T-O: "W" "G" Style Drop Door Tech Modesty - \$295
- M34TM-O: "M" Style Drop Door Tech Modesty - \$225
- M37: "W" "G" Style Fixed Full Modesty - \$125
- M37M: "M" Style Fixed Full Modesty - \$75



"L" WORKSTATION RETURN - FILE/FILE

STANDARD FEATURES

- 1 Standard grommet - matches pull finish or specify black TM30, silver TM31 or antique brass TM33
- 4" H back rail - open back
- Full extension drawers - locking
- Soft close suspension drawer(s)

42"/48"/60" Sizes

NOTES

- All units are standard w/ flush ends
- Grain Direction Runs Front To Back On

[CLICK HERE TO VIEW PRODUCT INDEX](#)

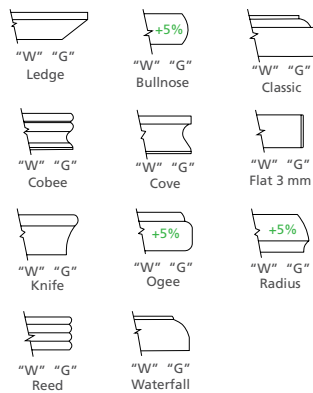
1 SELECT A STYLE

DIMENSIONS		STYLE NUMBER	LIST PRICE	STYLE NUMBER	LIST PRICE	STYLE NUMBER	LIST PRICE
W" x D" x H"	WGT	"W" Veneer Veneer Top Veneer Chassis		"G" HPL High Pressure Laminate Top Veneer Chassis		"M" TFL Thermally Fused Laminate Top Thermally Fused Laminate Chassis	
<b>Left Pedestal</b>							
60 x 24 x 29	130	CPC6024RE222W	1997	CPC6024RE222G	1997	CPC6024RE222M	1195
48 x 24 x 29	125	CPC4824RE222W	1889	CPC4824RE222G	1889	CPC4824RE222M	1175
42 x 24 x 29	120	CPC4224RE222W	1837	CPC4224RE222G	1837	CPC4224RE222M	1160
48 x 19 x 29	120	CPC4819RE222W	1837	CPC4819RE222G	1837	CPC4819RE222M	1160
42 x 19 x 29	115	CPC4219RE222W	1775	CPC4219RE222G	1775	CPC4219RE222M	1145
<b>Right Pedestal</b>							
60 x 24 x 29	130	CPC6024RE223W	1997	CPC6024RE223G	1997	CPC6024RE223M	1195
48 x 24 x 29	125	CPC4824RE223W	1889	CPC4824RE223G	1889	CPC4824RE223M	1175
42 x 24 x 29	120	CPC4224RE223W	1837	CPC4224RE223G	1837	CPC4224RE223M	1160
48 x 19 x 29	120	CPC4819RE223W	1837	CPC4819RE223G	1837	CPC4819RE223M	1160
42 x 19 x 29	115	CPC4219RE223W	1775	CPC4219RE223G	1775	CPC4219RE223M	1145

2 SELECT A FINISH

"W" Veneer	"G" HPL	"M" TFL	Finish
WAC	GAC	-	Amber Cherry
WRC	-	-	Caramel Cherry
WIC	GIC	-	Crimson Cherry
WEC	-	-	Ebony Cherry
WHC	GHC	MHC	Honey Cherry
WOC	GOC	MOC	KoKo Cherry
WSC	-	-	Scotch Cherry
WAM	GAM	-	Alabaster Maple
WCM	GCM	-	Clear Maple
WWM	GWM	-	Wheat Maple
WEW	GEW	-	Executive Walnut
WRW	GRW	-	Gray Luster Walnut
WGW	-	MGW	Gunstock Walnut
WJW	-	-	Judicial Walnut
WNW	GNW	-	Natural Walnut
WTW	GTW	MTW	Studio Teak Walnut
WWP	GWL	MWL	Designer White

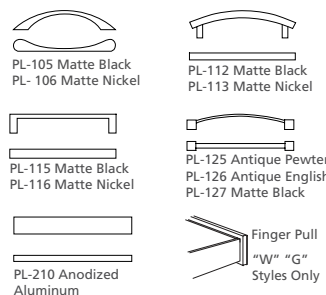
3 SELECT AN EDGE

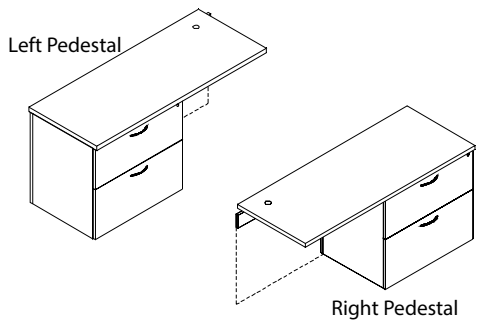


5 OPTIONS

- ACCESSORIES**
- K28: Articulating Keyboard w/ Mouse - \$375
- DRAWER**
- P33: Wood Drawer Upgrade - \$40 per drawer
  - P40W: extra Box/Box/File or File/File to Kneespace - \$875 (W,G)
  - P40M: extra Box/Box/File or File/File to Kneespace - \$688 (M)
  - WPD3061: Full fill designer white - \$75 per pedestal
- GROMMETS (NON-STANDARD LOCATION)**
- Provide drawing w/ grommet location and specify color - \$90 ea.
- Black: TM30-NS
  - Silver: TM31-NS
  - Antique Brass: TM33-NS
- MODESTY**
- M34T-O: "W" "G" Style Drop Door Tech Modesty - \$295
  - M34TM-O: "M" Style Drop Door Tech Modesty - \$225
  - M37: "W" "G" Style Fixed Full Modesty - \$125
  - M37M: "M" Style Fixed Full Modesty - \$75

4 SELECT HARDWARE





"L" WORKSTATION RETURN - LATERAL FILE

STANDARD FEATURES

- 1 Standard grommet - matches pull finish or specify black TM30, silver TM31 or antique brass TM33
- 4"H back rail - open back
- Full extension drawers - locking
- Legal/Double letter filing
- Soft close suspension drawer(s)

- Grain Direction Runs Front To Back On 42"/48"/60" Sizes on "G" and "M" styles and all "W" styles
- Grain Runs End To End On 66"/72" Sizes on "G" and "M" styles
- Keyboard N/A on 48" return

NOTES

- All units are standard w/ flush ends

[CLICK HERE TO VIEW PRODUCT INDEX](#)

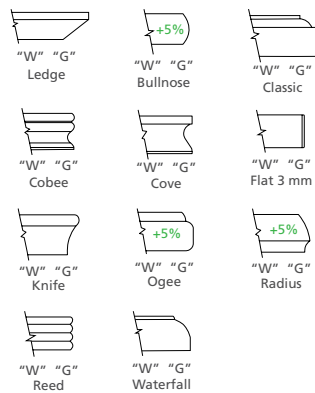
1 SELECT A STYLE

DIMENSIONS		STYLE NUMBER	LIST PRICE	STYLE NUMBER	LIST PRICE	STYLE NUMBER	LIST PRICE
W" x D" x H"	WGT	"W" Veneer Veneer Top Veneer Chassis		"G" HPL High Pressure Laminate Top Veneer Chassis		"M" TFL Thermally Fused Laminate Top Thermally Fused Laminate Chassis	
<b>Left Pedestal</b>							
72 x 24 x 29	200	CPC7224RE206W	2603	CPC7224RE206G	2603	CPC7224RE206M	1395
66 x 24 x 29	190	CPC6624RE206W	2476	CPC6624RE206G	2476	CPC6624RE206M	1365
60 x 24 x 29	175	CPC6024RE206W	2361	CPC6024RE206G	2361	CPC6024RE206M	1300
48 x 24 x 29	165	CPC4824RE206W	2240	CPC4824RE206G	2240	CPC4824RE206M	1270
<b>Right Pedestal</b>							
72 x 24 x 29	200	CPC7224RE208W	2603	CPC7224RE208G	2603	CPC7224RE208M	1395
66 x 24 x 29	190	CPC6624RE208W	2476	CPC6624RE208G	2476	CPC6624RE208M	1365
60 x 24 x 29	175	CPC6024RE208W	2361	CPC6024RE208G	2361	CPC6024RE208M	1300
48 x 24 x 29	165	CPC4824RE208W	2240	CPC4824RE208G	2240	CPC4824RE208M	1270

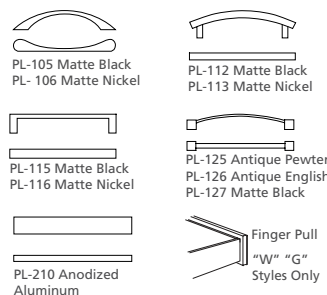
2 SELECT A FINISH

"W" Veneer	"G" HPL	"M" TFL	Finish
WAC	GAC	-	Amber Cherry
WRC	-	-	Caramel Cherry
WIC	GIC	-	Crimson Cherry
WEC	-	-	Ebony Cherry
WHC	GHC	MHC	Honey Cherry
WOC	GOC	MOC	KoKo Cherry
WSC	-	-	Scotch Cherry
WAM	GAM	-	Alabaster Maple
WCM	GCM	-	Clear Maple
WWM	GWM	-	Wheat Maple
WEW	GEW	-	Executive Walnut
WRW	GRW	-	Gray Luster Walnut
WGW	-	MGW	Gunstock Walnut
WJW	-	-	Judicial Walnut
WNW	GNW	-	Natural Walnut
WTW	GTW	MTW	Studio Teak Walnut
WWP	GWL	MWL	Designer White

3 SELECT AN EDGE



4 SELECT HARDWARE



5 OPTIONS

ACCESSORIES

- K28: Articulating Keyboard w/ Mouse - \$375

DRAWER

- P33: Wood Drawer Upgrade - \$40 per drawer
- P40W: extra Box/Box/File or File/File to Kneespace - \$875 (N/A on 48") (W,G)
- P40M: extra Box/Box/File or File/File to Kneespace - \$688 (N/A on 48") (M)
- WPD3061: Full fill designer white - \$75 per pedestal

GROMMETS (NON-STANDARD LOCATION)

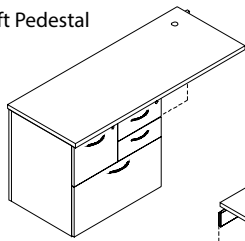
Provide drawing w/ grommet location and specify color - \$90 ea.

- Black: TM30-NS
- Silver: TM31-NS
- Antique Brass: TM33-NS

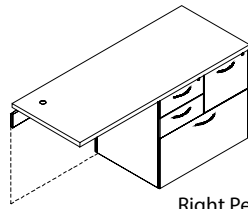
MODESTY

- M34T-O: "W" "G" Style Drop Door Tech Modesty - \$295
- M34TM-O: "M" Style Drop Door Tech Modesty - \$225
- M37: "W" "G" Style Fixed Full Modesty - \$125
- M37M: "M" Style Fixed Full Modesty - \$75

Left Pedestal



Right Pedestal



"L" WORKSTATION RETURN - MULTI-FILE

STANDARD FEATURES

- 1 Standard grommet - matches pull finish or specify black TM30, silver TM31 or antique brass TM33
- 4"H back rail - open back
- Full extension drawers - locking
- Legal/Double letter filing
- Soft close suspension drawer(s)

- Grain Direction Runs Front To Back On 42"/48"/60" Sizes on "G" and "M" styles and all "W" styles
- Grain Runs End To End On 66"/72" Sizes on "G" and "M" styles
- Keyboard N/A on 48" return

NOTES

- All units are standard w/ flush ends

[CLICK HERE TO VIEW PRODUCT INDEX](#)

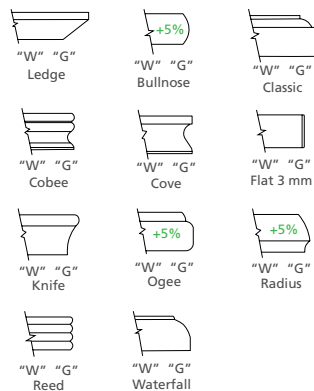
1 SELECT A STYLE

DIMENSIONS		STYLE NUMBER	LIST PRICE	STYLE NUMBER	LIST PRICE	STYLE NUMBER	LIST PRICE
W" x D" x H"	WGT	"W" Veneer Veneer Top Veneer Chassis		"G" HPL High Pressure Laminate Top Veneer Chassis		"M" TFL Thermally Fused Laminate Top Thermally Fused Laminate Chassis	
<b>Left Pedestal</b>							
72 x 24 x 29	200	CPC7224RE197W	2756	CPC7224RE197G	2756	CPC7224RE197M	1470
66 x 24 x 29	190	CPC6624RE197W	2635	CPC6624RE197G	2635	CPC6624RE197M	1440
60 x 24 x 29	175	CPC6024RE197W	2520	CPC6024RE197G	2520	CPC6024RE197M	1395
48 x 24 x 29	165	CPC4824RE197W	2393	CPC4824RE197G	2393	CPC4824RE197M	1345
<b>Right Pedestal</b>							
72 x 24 x 29	200	CPC7224RE198W	2756	CPC7224RE198G	2756	CPC7224RE198M	1470
66 x 24 x 29	190	CPC6624RE198W	2635	CPC6624RE198G	2635	CPC6624RE198M	1440
60 x 24 x 29	175	CPC6024RE198W	2520	CPC6024RE198G	2520	CPC6024RE198M	1395
48 x 24 x 29	165	CPC4824RE198W	2393	CPC4824RE198G	2393	CPC4824RE198M	1345

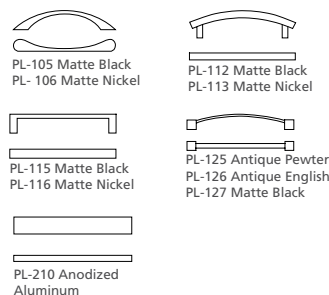
2 SELECT A FINISH

"W" Veneer	"G" HPL	"M" TFL	
WAC	GAC	-	Amber Cherry
WRC	-	-	Caramel Cherry
WIC	GIC	-	Crimson Cherry
WEC	-	-	Ebony Cherry
WHC	GHC	MHC	Honey Cherry
WOC	GOC	MOC	KoKo Cherry
WSC	-	-	Scotch Cherry
WAM	GAM	-	Alabaster Maple
WCM	GCM	-	Clear Maple
WWM	GWM	-	Wheat Maple
WEW	GEW	-	Executive Walnut
WRW	GRW	-	Gray Luster Walnut
WGW	-	MGW	Gunstock Walnut
WJW	-	-	Judicial Walnut
WNW	GNW	-	Natural Walnut
WTW	GTW	MTW	Studio Teak Walnut
WWP	GWL	MWL	Designer White

3 SELECT AN EDGE



4 SELECT HARDWARE



5 OPTIONS

ACCESSORIES

- K28: Articulating Keyboard w/ Mouse - \$375

DRAWER

- P33: Wood Drawer Upgrade - \$40 per drawer
- P40W: extra Box/Box/File or File/File to Kneespace - \$875 (N/A on 48")
- P40M: extra Box/Box/File or File/File to Kneespace - \$688 (N/A on 48")
- WPD3061: Full fill designer white - \$75 per pedestal

GROMMETS (NON-STANDARD LOCATION)

Provide drawing w/ grommet location and specify color - \$90 ea.

- Black: TM30-NS
- Silver: TM31-NS
- Antique Brass: TM33-NS

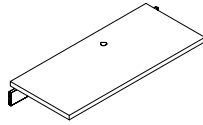
MODESTY

- M34T-O: "W" "G" Style Drop Door Tech Modesty - \$295
- M34TM-O: "M" Style Drop Door Tech Modesty - \$225
- M37: "W" "G" Style Fixed Full Modesty - \$125
- M37M: "M" Style Fixed Full Modesty - \$75

**OPEN BACK WITH 4" H WIRE MANAGEMENT RAIL**

**STANDARD FEATURES**

- 1 Standard grommet - matches pull finish or specify black TM30, silver TM31 or antique brass TM33



[CLICK HERE TO VIEW PRODUCT INDEX](#)



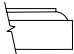








**1 SELECT A STYLE**

DIMENSIONS		STYLE NUMBER	LIST PRICE	STYLE NUMBER	LIST PRICE	STYLE NUMBER	LIST PRICE
W" x D" x H"	WGT	"W" Veneer Top Veneer Chassis		"G" HPL High Pressure Laminate Top Veneer Chassis		"M" TFL Thermally Fused Laminate Top Thermally Fused Laminate Chassis	
<b>24"D</b>							
60 x 24 x 29	65	CPC6024BR151W	740	CPC6024BR151G	740	CPC6024BR151M	480
54 x 24 x 29	60	CPC5424BR151W	644	CPC5424BR151G	644	CPC5424BR151M	460
48 x 24 x 29	55	CPC4824BR151W	556	CPC4824BR151G	556	CPC4824BR151M	440
42 x 24 x 29	50	CPC4224BR151W	524	CPC4224BR151G	524	CPC4224BR151M	420
36 x 24 x 29	45	CPC3624BR151W	498	CPC3624BR151G	498	CPC3624BR151M	400
<b>19"D</b>							
48 x 19 x 29	50	CPC4819BR151W	524	CPC4819BR151G	524	CPC4819BR151M	420
42 x 19 x 29	45	CPC4219BR151W	498	CPC4219BR151G	498	CPC4219BR151M	400

**2 SELECT A FINISH**

"W" Veneer	"G" HPL	"M" TFL	Finish
WAC	GAC	-	Amber Cherry
WRC	-	-	Caramel Cherry
WIC	GIC	-	Crimson Cherry
WEC	-	-	Ebony Cherry
WHC	GHC	MHC	Honey Cherry
WOC	GOC	MOC	KoKo Cherry
WSC	-	-	Scotch Cherry
WAM	GAM	-	Alabaster Maple
WCM	GCM	-	Clear Maple
WWM	GWM	-	Wheat Maple
WEW	GEW	-	Executive Walnut
WRW	GRW	-	Gray Luster Walnut
WGW	-	MGW	Gunstock Walnut
WJW	-	-	Judicial Walnut
WNW	GNW	-	Natural Walnut
WTW	GTW	MTW	Studio Teak Walnut
WWP	GWL	MWL	Designer White

**3 SELECT AN EDGE**

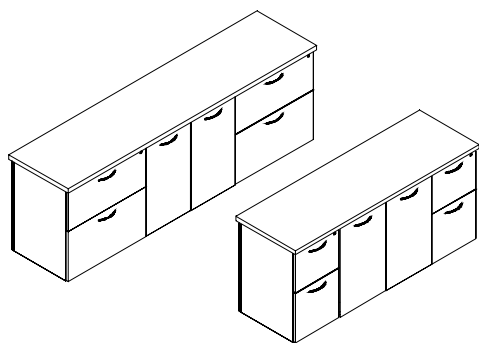
 "W" "G" Ledge	 "W" "G" Bullnose	 "W" "G" Classic
 "W" "G" Cobee	 "W" "G" Cove	 "W" "G" Flat 3 mm
 "W" "G" Knife	 "W" "G" Ogee	 "W" "G" Radius
 "W" "G" Reed	 "W" "G" Waterfall	

**4 SELECT HARDWARE**

Hardware Option Not Available

**5 OPTIONS**

- ACCESSORIES**
- K28: Articulating Keyboard w/ Mouse - \$375
  - K31: Center drawer w/o skirt - \$195
- CURVED BRIDGE**
- CBT1: Modify to Curved Bridge - \$50
- GROMMETS (NON-STANDARD LOCATION)**
- Provide drawing w/ grommet location and specify color - \$90 ea.
- Black: TM30-NS
  - Silver: TM31-NS
  - Antique Brass: TM33-NS
- MODESTY**
- M34T-O: "W" "G" Style Drop Door Tech Modesty - \$295
  - M34TM-O: "M" Style Drop Door Tech Modesty - \$225
  - M37: "W" "G" Style Fixed Full Modesty - \$125
  - M37M: "M" Style Fixed Full Modesty - \$75



**FILE STORAGE CREDENZA**

**STANDARD FEATURES**

- Black adjustable shelf behind door set
- File/File
- Full extension drawers - locking
- Lateral File anti-tilt
- Soft close suspension drawer(s)

OPB Option for Open Plan application

**NOTES**

- "M" Styles have matching "M" Finish Shelf
- All units are standard w/ flush ends
- Unit not designed for open plan use. Select

[CLICK HERE TO VIEW PRODUCT INDEX](#)

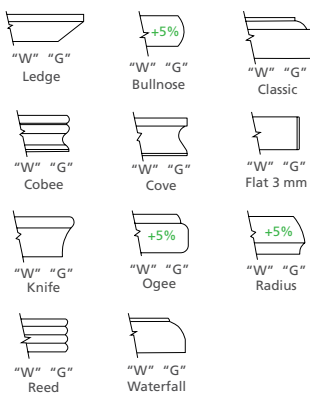
**1 SELECT A STYLE**

DIMENSIONS		STYLE NUMBER	LIST PRICE	STYLE NUMBER	LIST PRICE	STYLE NUMBER	LIST PRICE
W" x D" x H"	WGT	"W" Veneer Top Veneer Chassis		"G" High Pressure Laminate Top Veneer Chassis		"M" Thermally Fused Laminate Top Thermally Fused Laminate Chassis	
<b>Lateral File Storage Credenza</b>							
93 x 24 x 29	320	CPC9324CA651W	4301	CPC9324CA651G	4301	CPC9324CA651M	2630
87 x 24 x 29	310	CPC8724CA651W	4033	CPC8724CA651G	4033	CPC8724CA651M	2570
<b>File/ File Storage Credenza</b>							
70 x 24 x 29	270	CPC7024CA050W	3056	CPC7024CA050G	3056	CPC7024CA050M	1995
64 x 24 x 29	255	CPC6424CA050W	2762	CPC6424CA050G	2762	CPC6424CA050M	1970
58 x 24 x 29	240	CPC5824CA050W	2725	CPC5824CA050G	2725	CPC5824CA050M	1945

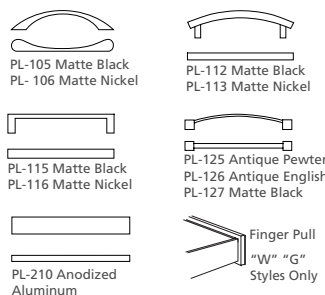
**2 SELECT A FINISH**

"W" Veneer	"G" HPL	"M" TFL	
WAC	GAC	-	Amber Cherry
WRC	-	-	Caramel Cherry
WIC	GIC	-	Crimson Cherry
WEC	-	-	Ebony Cherry
WHC	GHC	MHC	Honey Cherry
WOC	GOC	MOC	KoKo Cherry
WSC	-	-	Scotch Cherry
WAM	GAM	-	Alabaster Maple
WCM	GCM	-	Clear Maple
WWM	GWM	-	Wheat Maple
WEW	GEW	-	Executive Walnut
WRW	GRW	-	Gray Luster Walnut
WGW	-	MGW	Gunstock Walnut
WJW	-	-	Judicial Walnut
WNW	GNW	-	Natural Walnut
WTW	GTW	MTW	Studio Teak Walnut
WWP	GWL	MWL	Designer White

**3 SELECT AN EDGE**



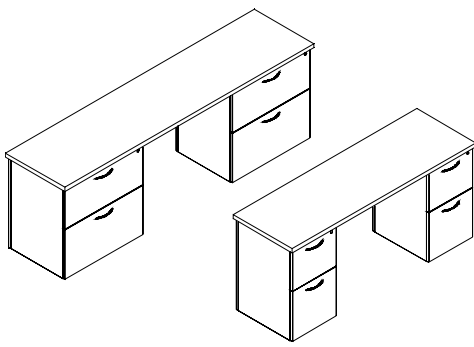
**4 SELECT HARDWARE**



**5 OPTIONS**

- DOOR**
- D2: Wood Door Lock - \$95 per Door Set
  - D6A: "W"/"G" Styles - Delete Doors and replace black laminate shelf with finished shelf - n/c
  - D9SC: Soft Close Door Hinges - \$15 per Door
  - WPD3061: Full fill designer white - \$75 per door
- DRAWER**
- P6: Modify File/File to Box/Box/File - \$50 per pedestal (CA050 only)
  - P33: Wood Drawer Upgrade - \$40 per drawer
  - WPD3061: Full fill designer white - \$75 per pedestal
- GROMMETS (STANDARD LOCATION)**
- Specify Color and Left/Right/Center - \$45 ea.
- Black: TM30-R (Right), TM30-L (Left), TM30-C (Center)
  - Silver: TM31-R (Right), TM31-L (Left), TM31-C (Center)
  - Antique Brass: TM33-R (Right), TM33-L (Left), TM33-C (Center)
- GROMMETS (NON-STANDARD LOCATION)**
- Provide drawing w/ grommet location and specify color - \$90 ea.
- Black: TM30-NS
  - Silver: TM31-NS
  - Antique Brass: TM33-NS
- GROMMETS (VERTICAL SURFACE)**
- Standard Location - \$45 ea.
- Black Plastic Vertical Surface: TM50-C (Bottom Center)
- Non-Standard Location - \$90 ea.
- Black Plastic Vertical Surface: TM50-NS
- OPEN PLAN**
- OPB: "W" "G" Style - Modify Unit for Open Plan Application - \$195
  - OPBM: "M" Style - Modify Unit for Open Plan Application - \$95
- SHELF**
- S25: Replace Black Laminate Shelf with Finished Shelf - \$75 per Shelf ("W" and "G" styles only)





**KNEESPACE CREDENZA**

**STANDARD FEATURES**

- Anti-tilt safety feature
- Full extension drawers - locking
- Kneespace w/ 4" H wire management rail channel - Open back
- Lateral file
- Soft close suspension drawer(s)

OPB Option for Open Plan application

**NOTES**

- All units are standard w/ flush ends
- Unit not designed for open plan use. Select

[CLICK HERE TO VIEW PRODUCT INDEX](#)






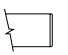





**1 SELECT A STYLE**

DIMENSIONS		STYLE NUMBER	LIST PRICE	STYLE NUMBER	LIST PRICE	STYLE NUMBER	LIST PRICE
W" x D" x H"	WGT	"W" Veneer Top Veneer Chassis		"G" High Pressure Laminate Top Veneer Chassis		"M" Thermally Fused Laminate Top Thermally Fused Laminate Chassis	
<b>Lateral File Knee space Credenza</b>							
93 x 24 x 29	300	CPC9324CA052W	3516	CPC9324CA052G	3516	CPC9324CA052M	2150
87 x 24 x 29	290	CPC8724CA052W	3446	CPC8724CA052G	3446	CPC8724CA052M	2130
<b>File/File Knee space Credenza</b>							
70 x 24 x 29	220	CPC7024CA054W	2821	CPC7024CA054G	2821	CPC7024CA054M	1780
64 x 24 x 29	210	CPC6424CA054W	2751	CPC6424CA054G	2751	CPC6424CA054M	1755
58 x 24 x 29	200	CPC5824CA054W	2680	CPC5824CA054G	2680	CPC5824CA054M	1720





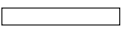
**2 SELECT A FINISH**

"W" Veneer	"G" HPL	"M" TFL	Finish
WAC	GAC	-	Amber Cherry
WRC	-	-	Caramel Cherry
WIC	GIC	-	Crimson Cherry
WEC	-	-	Ebony Cherry
WHC	GHC	MHC	Honey Cherry
WOC	GOC	MOC	KoKo Cherry
WSC	-	-	Scotch Cherry
WAM	GAM	-	Alabaster Maple
WCM	GCM	-	Clear Maple
WWM	GWM	-	Wheat Maple
WEW	GEW	-	Executive Walnut
WRW	GRW	-	Gray Luster Walnut
WGW	-	MGW	Gunstock Walnut
WJW	-	-	Judicial Walnut
WNW	GNW	-	Natural Walnut
WTW	GTW	MTW	Studio Teak Walnut
WWP	GWL	MWL	Designer White

**3 SELECT AN EDGE**

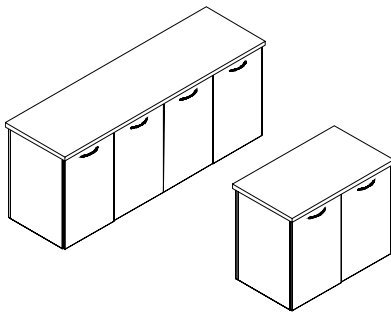
 "W" "G" Ledge	 "W" "G" Bullnose	 "W" "G" Classic
 "W" "G" Cobee	 "W" "G" Cove	 "W" "G" Flat 3 mm
 "W" "G" Knife	 "W" "G" Ogee	 "W" "G" Radius
 "W" "G" Reed	 "W" "G" Waterfall	

**4 SELECT HARDWARE**

 PL-105 Matte Black PL-106 Matte Nickel	 PL-112 Matte Black PL-113 Matte Nickel
 PL-115 Matte Black PL-116 Matte Nickel	 PL-125 Antique Pewter PL-126 Antique English PL-127 Matte Black
 PL-210 Anodized Aluminum	

**5 OPTIONS**

- ACCESSORIES**
- K28: Articulating Keyboard w/ Mouse - \$375
- DRAWER**
- P6: Modify File/File to Box/Box/File - \$50 per pedestal (CA054 only)
  - P33: Wood Drawer Upgrade - \$40 per drawer
  - WPD3061: Full fill designer white - \$75 per pedestal
- GROMMETS (STANDARD LOCATION)**
- Specify Color - \$45 ea.
- Black: TM30-C (Center)
  - Silver: TM31-C (Center)
  - Antique Brass: TM33-C (Center)
- GROMMETS (NON-STANDARD LOCATION)**
- Provide drawing w/ grommet location and specify color - \$90 ea.
- Black: TM30-NS
  - Silver: TM31-NS
  - Antique Brass: TM33-NS
- MODESTY**
- M34T-O: "W" "G" Style Drop Door Tech Modesty - \$295
  - M34TM-O: "M" Style Drop Door Tech Modesty - \$225
  - M37: "W" "G" Style Fixed Full Modesty - \$125
  - M37M: "M" Style Fixed Full Modesty - \$75
- OPEN PLAN**
- OPB: "W" "G" Style - Modify Unit for Open Plan Application - \$250 (includes modesty)
  - OPBM: "M" Style - Modify Unit for Open Plan Application - \$195 (includes modesty)



**STORAGE CREDENZA**

**STANDARD FEATURES**

- Black adjustable shelf behind door set

**NOTES**

- "M" Styles have matching "M" Finish Shelf
- All units are standard w/ flush ends
- Unit not designed for open plan use. Select OPB Option for Open Plan application

[CLICK HERE TO VIEW PRODUCT INDEX](#)

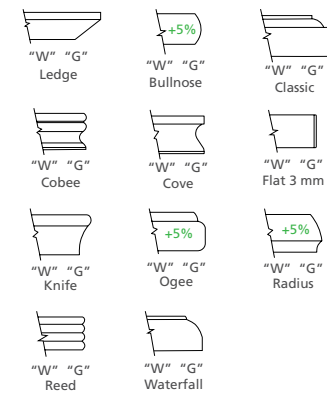
**1 SELECT A STYLE**

DIMENSIONS		STYLE NUMBER	LIST PRICE	STYLE NUMBER	LIST PRICE	STYLE NUMBER	LIST PRICE
W" x D" x H"	WGT	"W" Veneer Top Veneer Chassis		"G" High Pressure Laminate Top Veneer Chassis		"M" Thermally Fused Laminate Top Thermally Fused Laminate Chassis	
70 x 24 x 29	225	CPC7024CA125W	2935	CPC7024CA125G	2935	CPC7024CA125M	1800
58 x 24 x 29	195	CPC5824CA125W	2635	CPC5824CA125G	2635	CPC5824CA125M	1695
35 x 24 x 29	130	CPC3524CA125W	1633	CPC3524CA125G	1633	CPC3524CA125M	1090
29 x 24 x 29	115	CPC2924CA125W	1520	CPC2924CA125G	1520	CPC2924CA125M	1015

**2 SELECT A FINISH**

"W" Veneer	"G" HPL	"M" TFL	Finish
WAC	GAC	-	Amber Cherry
WRC	-	-	Caramel Cherry
WIC	GIC	-	Crimson Cherry
WEC	-	-	Ebony Cherry
WHC	GHC	MHC	Honey Cherry
WOC	GOC	MOC	KoKo Cherry
WSC	-	-	Scotch Cherry
WAM	GAM	-	Alabaster Maple
WCM	GCM	-	Clear Maple
WWM	GWM	-	Wheat Maple
WEW	GEW	-	Executive Walnut
WRW	GRW	-	Gray Luster Walnut
WGW	-	MGW	Gunstock Walnut
WJW	-	-	Judicial Walnut
WNW	GNW	-	Natural Walnut
WTW	GTW	MTW	Studio Teak Walnut
WWP	GWL	MWL	Designer White

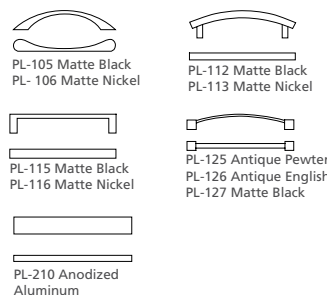
**3 SELECT AN EDGE**



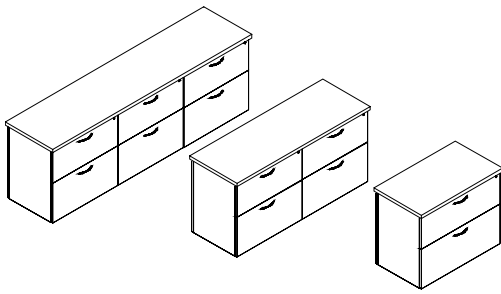
**5 OPTIONS**

- DOOR**
- D2: Wood Door Lock - \$95 per Door Set
  - D6A: "W"/"G" Styles - Delete Doors and replace black laminate shelf with finished shelf - n/c
  - D9SC: Soft Close Door Hinges - \$15 per Door
  - WPD3061: Full fill designer white - \$75 per door
- GROMMETS (STANDARD LOCATION)**
- Specify Color and Left/Right/Center - \$45 ea.
- Black: TM30-R (Right), TM30-L (Left), TM30-C (Center)
  - Silver: TM31-R (Right), TM31-L (Left), TM31-C (Center)
- GROMMETS (NON-STANDARD LOCATION)**
- Provide drawing w/ grommet location and specify color - \$90 ea.
- Black: TM30-NS
  - Silver: TM31-NS
  - Antique Brass: TM33-NS
- GROMMETS (VERTICAL SURFACE)**
- Standard Location - \$45 ea.
- Black Plastic Vertical Surface: TM50-C (Bottom Center)
  - Non-Standard Location - \$90 ea.
  - Black Plastic Vertical Surface: TM50-NS

**4 SELECT HARDWARE**



- OPEN PLAN**
- OPB: "W" "G" Style - Modify Unit for Open Plan Application - \$195
  - OPB: "M" Style - Modify Unit for Open Plan Application - \$95
- SHELF**
- S25: Replace Black Laminate Shelf with Finished Shelf - \$75 per Shelf ("W" styles only)



**HORIZONTAL LATERAL FILE**

**STANDARD FEATURES**

- Anti-tilt safety feature
- Full extension drawers - locking
- Legal/Double letter filing
- Soft close suspension drawer(s)

**NOTES**

- All units are standard w/ flush ends
- Unit not designed for open plan use. Select OPB Option for Open Plan application

[CLICK HERE TO VIEW PRODUCT INDEX](#)

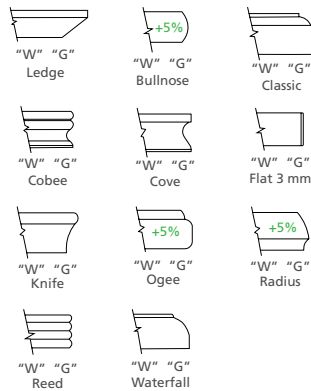
**1 SELECT A STYLE**

DIMENSIONS		STYLE NUMBER	LIST PRICE	STYLE NUMBER	LIST PRICE	STYLE NUMBER	LIST PRICE
"W" x D" x H"	WGT	"W" Veneer Top Veneer Chassis		"G" HPL High Pressure Laminate Top Veneer Chassis		"M" TFL Thermally Fused Laminate Top Thermally Fused Laminate Chassis	
93 x 24 x 29	415	CPC9324CA104W	4741	CPC9324CA104G	4741	CPC9324CA104M	2825
87 x 24 x 29	400	CPC8724CA104W	4472	CPC8724CA104G	4472	CPC8724CA104M	2770
70 x 24 x 29	310	CPC7024CA104W	3395	CPC7024CA104G	3395	CPC7024CA104M	2150
58 x 24 x 29	280	CPC5824CA104W	3312	CPC5824CA104G	3312	CPC5824CA104M	2010
41 x 24 x 29	180	CPC4124CA104W	2018	CPC4124CA104G	2018	CPC4124CA104M	1420
35 x 24 x 29	160	CPC3524CA104W	1800	CPC3524CA104G	1800	CPC3524CA104M	1250
29 x 24 x 29	145	CPC2924CA104W	1639	CPC2924CA104G	1639	CPC2924CA104M	1160

**2 SELECT A FINISH**

"W" Veneer	"G" HPL	"M" TFL	Finish
WAC	GAC	-	Amber Cherry
WRC	-	-	Caramel Cherry
WIC	GIC	-	Crimson Cherry
WEC	-	-	Ebony Cherry
WHC	GHC	MHC	Honey Cherry
WOC	GOC	MOC	KoKo Cherry
WSC	-	-	Scotch Cherry
WAM	GAM	-	Alabaster Maple
WCM	GCM	-	Clear Maple
WWM	GWM	-	Wheat Maple
WEW	GEW	-	Executive Walnut
WRW	GRW	-	Gray Luster Walnut
WGW	-	MGW	Gunstock Walnut
WJW	-	-	Judicial Walnut
WNW	GNW	-	Natural Walnut
WTW	GTW	MTW	Studio Teak Walnut
WWP	GWL	MWL	Designer White

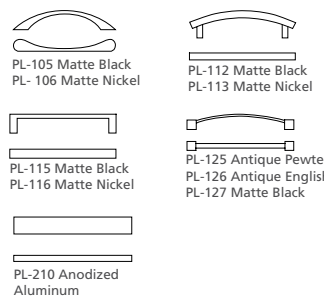
**3 SELECT AN EDGE**

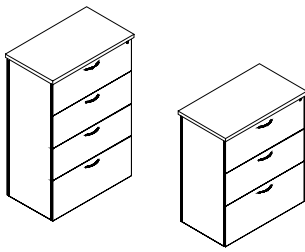


**5 OPTIONS**

- DRAWER**
- P33: Wood Drawer Upgrade - \$40 per drawer
  - WPD3061: Full fill designer white - \$75 per pedestal
- OPEN PLAN**
- OPB: "W" "G" Style - Modify Unit for Open Plan Application - \$195
  - OPB: "M" Style - Modify Unit for Open Plan Application - \$95

**4 SELECT HARDWARE**





**VERTICAL LATERAL FILE**

**STANDARD FEATURES**

- Anti-tilt safety feature
- Full extension drawers - locking
- Legal/Double letter filing
- Soft close suspension drawer(s)

**NOTES**

- All units are standard w/ flush ends
- Unit not designed for open plan use. Select OPB Option for Open Plan application

[CLICK HERE TO VIEW PRODUCT INDEX](#)

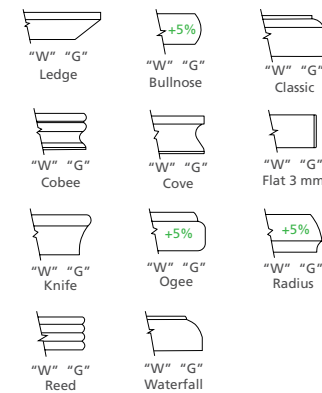
**1 SELECT A STYLE**

DIMENSIONS		STYLE NUMBER	LIST PRICE	STYLE NUMBER	LIST PRICE	STYLE NUMBER	LIST PRICE
W" x D" x H"	WGT	"W" Veneer Veneer Top Veneer Chassis		"G" HPL High Pressure Laminate Top Veneer Chassis		"M" TFL Thermally Fused Laminate Top Thermally Fused Laminate Chassis	
<b>4 Drawer</b>							
35 x 24 x 54	270	CPC3524FL111W	2981	CPC3524FL111G	2981	CPC3524FL111M	2025
29 x 24 x 54	245	CPC2924FL111W	2565	CPC2924FL111G	2565	CPC2924FL111M	1730
<b>3 Drawer</b>							
35 x 24 x 42	205	CPC3524FL112W	2662	CPC3524FL112G	2662	CPC3524FL112M	1880
29 x 24 x 42	185	CPC2924FL112W	2321	CPC2924FL112G	2321	CPC2924FL112M	1615

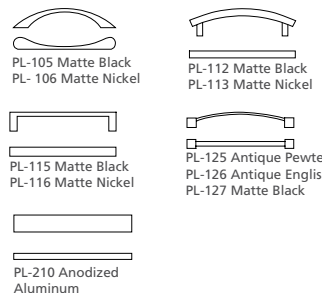
**2 SELECT A FINISH**

"W" Veneer	"G" HPL	"M" TFL	
WAC	GAC	-	Amber Cherry
WRC	-	-	Caramel Cherry
WIC	GIC	-	Crimson Cherry
WEC	-	-	Ebony Cherry
WHC	GHC	MHC	Honey Cherry
WOC	GOC	MOC	KoKo Cherry
WSC	-	-	Scotch Cherry
WAM	GAM	-	Alabaster Maple
WCM	GCM	-	Clear Maple
WWM	GWM	-	Wheat Maple
WEW	GEW	-	Executive Walnut
WRW	GRW	-	Gray Luster Walnut
WGW	-	MGW	Gunstock Walnut
WJW	-	-	Judicial Walnut
WNW	GNW	-	Natural Walnut
WTW	GTW	MTW	Studio Teak Walnut
WWP	GWL	MWL	Designer White

**3 SELECT AN EDGE**

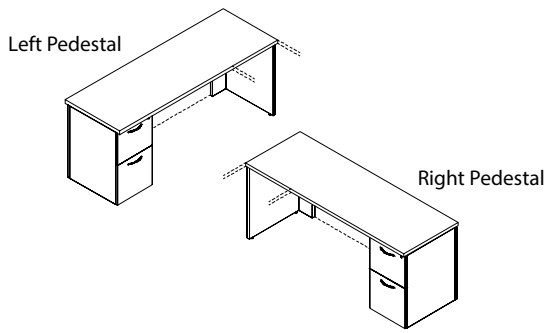


**4 SELECT HARDWARE**



**5 OPTIONS**

- DRAWER**
- P33: Wood Drawer Upgrade - \$40 per drawer
  - WPD3061: Full fill designer white - \$75 per pedestal
- OPEN PLAN**
- OPB: "W" "G" Style - Modify Unit for Open Plan Application - \$195
  - OPB: "M" Style - Modify Unit for Open Plan Application - \$95



**"U" WORKSTATION CREDENZA - FILE / FILE**

**STANDARD FEATURES**

- 4"H back rail - open back
- Full extension drawers - locking
- Hookup hardware
- Legal/Double letter filing
- Soft close suspension drawer(s)

**NOTES**

- All units are standard w/ flush ends
- Unit not designed for open plan use. Select OPB Option for Open Plan application

[CLICK HERE TO VIEW PRODUCT INDEX](#)

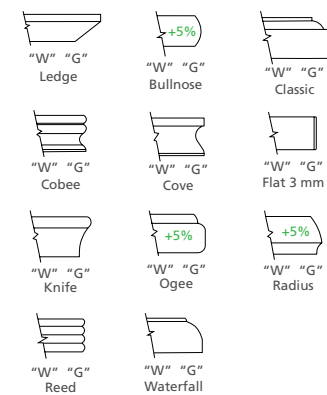
**1 SELECT A STYLE**

DIMENSIONS		STYLE NUMBER	LIST PRICE	STYLE NUMBER	LIST PRICE	STYLE NUMBER	LIST PRICE
W" x D" x H"	WGT	"W" Veneer Veneer Top Veneer Chassis		"G" HPL High Pressure Laminate Top Veneer Chassis		"M" TFL Thermally Fused Laminate Top Thermally Fused Laminate Chassis	
<b>Left Pedestal</b>							
87 x 24 x 29	200	CPC8724CA086W	2482	CPC8724CA086G	2482	CPC8724CA086M	1420
83 x 24 x 29	190	CPC8324CA086W	2336	CPC8324CA086G	2336	CPC8324CA086M	1405
70 x 24 x 29	180	CPC7024CA086W	2056	CPC7024CA086G	2056	CPC7024CA086M	1345
64 x 24 x 29	170	CPC6424CA086W	2023	CPC6424CA086G	2023	CPC6424CA086M	1330
58 x 24 x 29	160	CPC5824CA086W	1991	CPC5824CA086G	1991	CPC5824CA086M	1315
<b>Right Pedestal</b>							
87 x 24 x 29	200	CPC8724CA087W	2482	CPC8724CA087G	2482	CPC8724CA087M	1420
83 x 24 x 29	190	CPC8324CA087W	2336	CPC8324CA087G	2336	CPC8324CA087M	1405
70 x 24 x 29	180	CPC7024CA087W	2056	CPC7024CA087G	2056	CPC7024CA087M	1345
64 x 24 x 29	170	CPC6424CA087W	2023	CPC6424CA087G	2023	CPC6424CA087M	1330
58 x 24 x 29	160	CPC5824CA087W	1991	CPC5824CA087G	1991	CPC5824CA087M	1315

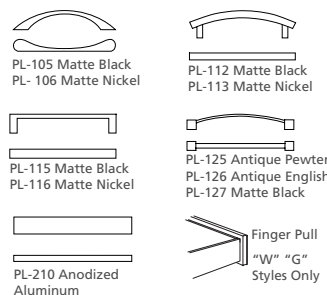
**2 SELECT A FINISH**

"W" Veneer	"G" HPL	"M" TFL	Finish
WAC	GAC	-	Amber Cherry
WRC	-	-	Caramel Cherry
WIC	GIC	-	Crimson Cherry
WEC	-	-	Ebony Cherry
WHC	GHC	MHC	Honey Cherry
WOC	GOC	MOC	KoKo Cherry
WSC	-	-	Scotch Cherry
WAM	GAM	-	Alabaster Maple
WCM	GCM	-	Clear Maple
WWM	GWM	-	Wheat Maple
WEW	GEW	-	Executive Walnut
WRW	GRW	-	Gray Luster Walnut
WGW	-	MGW	Gunstock Walnut
WJW	-	-	Judicial Walnut
WNW	GNW	-	Natural Walnut
WTW	GTW	MTW	Studio Teak Walnut
WWP	GWL	MWL	Designer White

**3 SELECT AN EDGE**



**4 SELECT HARDWARE**



**5 OPTIONS**

**ACCESSORIES**

- K28: Articulating Keyboard w/ Mouse - \$375

**DRAWER**

- P6: Modify File/File to Box/Box/File - \$50 per pedestal
- P33: Wood Drawer Upgrade - \$40 per drawer
- P40W: extra Box/Box/File or File/File to Kneespace - \$875 (W, G)
- P40M: extra Box/Box/File or File/File to Kneespace - \$688 (M)
- WPD3061: Full fill designer white - \$75 per pedestal

**GROMMETS (STANDARD LOCATION)**

- Specify Color - \$45 ea.
- Black: TM30-C (Center)
- Silver: TM31-C (Center)
- Antique Brass: TM33-C (Center)

**GROMMETS (NON-STANDARD LOCATION)**

- Provide drawing w/ grommet location and specify color - \$90 ea.
- Black: TM30-NS
- Silver: TM31-NS
- Antique Brass: TM33-NS

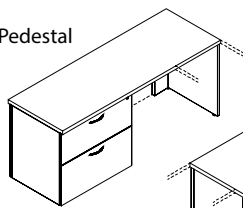
**MODESTY**

- M34T-O: "W" "G" Style Drop Door Tech Modesty - \$295
- M34TM-O: "M" Style Drop Door Tech Modesty - \$225
- M37: "W" "G" Style Fixed Full Modesty - \$125
- M37M: "M" Style Fixed Full Modesty - \$75

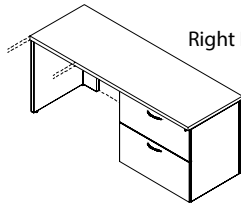
**OPEN PLAN**

- OPB: "W" "G" Style - Modify Unit for Open Plan Application - \$250 (includes modesty)
- OPM: "M" Style - Modify Unit for Open Plan Application - \$195 (includes modesty)

Left Pedestal



Right Pedestal



**"U" WORKSTATION CREDENZA - LATERAL FILE**

**STANDARD FEATURES**

- 4"H back rail - open back
- Full extension drawers - locking
- Hookup hardware
- Legal/Double letter filing
- Soft close suspension drawer(s)

- Unit not designed for open plan use. Select OPB Option for Open Plan application

**NOTES**

- (\*) Denotes Units w/ Kneespace Not Sufficient For Keyboard
- All units are standard w/ flush ends

[CLICK HERE TO VIEW PRODUCT INDEX](#)

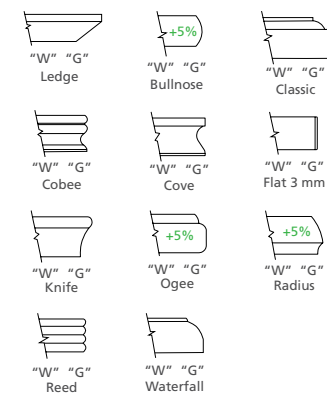
**1 SELECT A STYLE**

DIMENSIONS		STYLE NUMBER	LIST PRICE	STYLE NUMBER	LIST PRICE	STYLE NUMBER	LIST PRICE
"W" x D" x H"	WGT	"W" Veneer Veneer Top Veneer Chassis		"G" HPL High Pressure Laminate Top Veneer Chassis		"M" TFL Thermally Fused Laminate Top Thermally Fused Laminate Chassis	
<b>Left Pedestal</b>							
93 x 24 x 29	240	CPC9324CA066W	2795	CPC9324CA066G	2795	CPC9324CA066M	1645
87x 24 x 29	225	CPC8724CA066W	2738	CPC8724CA066G	2738	CPC8724CA066M	1620
83 x 24 x 29	220	CPC8324CA066W	2603	CPC8324CA066G	2603	CPC8324CA066M	1605
* 70 x 24 x 29	215	CPC7024CA066W	2322	CPC7024CA066G	2322	CPC7024CA066M	1480
* 64 x 24 x 29	200	CPC6424CA066W	2292	CPC6424CA066G	2292	CPC6424CA066M	1465
* 58 x 24 x 29	190	CPC5824CA066W	2277	CPC5824CA066G	2277	CPC5824CA066M	1450
<b>Right Pedestal</b>							
93 x 24 x 29	240	CPC9324CA067W	2795	CPC9324CA067G	2795	CPC9324CA067M	1645
87 x 24 x 29	225	CPC8724CA067W	2738	CPC8724CA067G	2738	CPC8724CA067M	1620
83 x 24 x 29	220	CPC8324CA067W	2603	CPC8324CA067G	2603	CPC8324CA067M	1605
* 70 x 24 x 29	215	CPC7024CA067W	2322	CPC7024CA067G	2322	CPC7024CA067M	1480
* 64 x 24 x 29	200	CPC6424CA067W	2292	CPC6424CA067G	2292	CPC6424CA067M	1465
* 58 x 24 x 29	190	CPC5824CA067W	2277	CPC5824CA067G	2277	CPC5824CA067M	1450

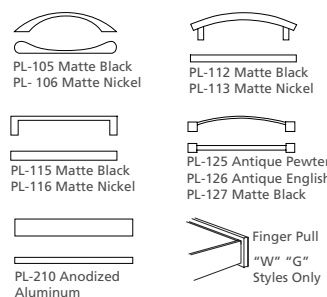
**2 SELECT A FINISH**

"W" Veneer	"G" HPL	"M" TFL	Finish
WAC	GAC	-	Amber Cherry
WRC	-	-	Caramel Cherry
WIC	GIC	-	Crimson Cherry
WEC	-	-	Ebony Cherry
WHC	GHC	MHC	Honey Cherry
WOC	GOC	MOC	KoKo Cherry
WSC	-	-	Scotch Cherry
WAM	GAM	-	Alabaster Maple
WCM	GCM	-	Clear Maple
WWM	GWM	-	Wheat Maple
WEW	GEW	-	Executive Walnut
WRW	GRW	-	Gray Luster Walnut
WGW	-	MGW	Gunstock Walnut
WJW	-	-	Judicial Walnut
WNW	GNW	-	Natural Walnut
WTW	GTW	MTW	Studio Teak Walnut
WWP	GWL	MWL	Designer White

**3 SELECT AN EDGE**



**4 SELECT HARDWARE**



**5 OPTIONS**

**ACCESSORIES**

- K28: Articulating Keyboard w/ Mouse - \$375

**DRAWER**

- P33: Wood Drawer Upgrade - \$40 per drawer
- P40W: extra Box/Box/File or File/File to Kneespace - \$875 (N/A on 58") (W,G)
- P40M: extra Box/Box/File or File/File to Kneespace - \$688 (N/A on 58") (M)
- WPD3061: Full fill designer white - \$75 per pedestal

**GROMMETS (STANDARD LOCATION)**

- Specify Color - \$45 ea.
- Black: TM30-C (Center)
- Silver: TM31-C (Center)
- Antique Brass: TM33-C (Center)

**GROMMETS (NON-STANDARD LOCATION)**

- Provide drawing w/ grommet location and specify color - \$90 ea.
- Black: TM30-NS
- Silver: TM31-NS
- Antique Brass: TM33-NS

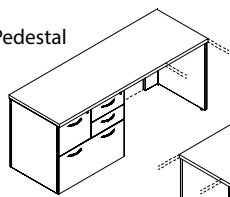
**MODESTY**

- M34T-O: "W" "G" Style Drop Door Tech Modesty - \$295
- M34TM-O: "M" Style Drop Door Tech Modesty - \$225
- M37: "W" "G" Style Fixed Full Modesty - \$125
- M37M: "M" Style Fixed Full Modesty - \$75

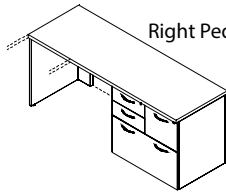
**OPEN PLAN**

- OPB: "W" "G" Style - Modify Unit for Open Plan Application - \$250 (includes modesty)
- OPB: "M" Style - Modify Unit for Open Plan Application - \$195 (includes modesty)

Left Pedestal



Right Pedestal



**"U" WORKSTATION CREDENZA - MULTI-FILE**

**STANDARD FEATURES**

- 4"H back rail - open back
- Full extension drawers - locking
- Hookup hardware
- Multi-file provides legal-double letter filing
- Soft close suspension drawer(s)

- Unit not designed for open plan use. Select OPB Option for Open Plan application

**NOTES**

- (\*) Denotes Units w/ Kneespace Not Sufficient For Keyboard
- All units are standard w/ flush ends

[CLICK HERE TO VIEW PRODUCT INDEX](#)

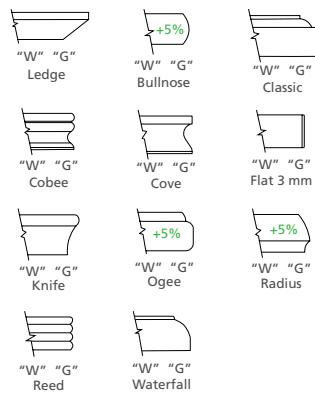
**1 SELECT A STYLE**

DIMENSIONS		STYLE NUMBER	LIST PRICE	STYLE NUMBER	LIST PRICE	STYLE NUMBER	LIST PRICE
"W" x D" x H"	WGT	"W" Veneer Veneer Top Veneer Chassis		"G" HPL High Pressure Laminate Top Veneer Chassis		"M" TFL Thermally Fused Laminate Top Thermally Fused Laminate Chassis	
<b>Left Pedestal</b>							
93 x 24 x 29	240	CPC9324CA667W	3133	CPC9324CA667G	3133	CPC9324CA667M	1720
87 x 24 x 29	225	CPC8724CA667W	3069	CPC8724CA667G	3069	CPC8724CA667M	1695
83 x 24 x 29	220	CPC8324CA667W	2935	CPC8324CA667G	2935	CPC8324CA667M	1680
* 70 x 24 x 29	215	CPC7024CA667W	2655	CPC7024CA667G	2655	CPC7024CA667M	1555
* 64 x 24 x 29	200	CPC6424CA667W	2623	CPC6424CA667G	2623	CPC6424CA667M	1540
* 58 x 24 x 29	190	CPC5824CA667W	2609	CPC5824CA667G	2609	CPC5824CA667M	1525
<b>Right Pedestal</b>							
93 x 24 x 29	240	CPC9324CA668W	3133	CPC9324CA668G	3133	CPC9324CA668M	1720
87 x 24 x 29	225	CPC8724CA668W	3069	CPC8724CA668G	3069	CPC8724CA668M	1695
83 x 24 x 29	220	CPC8324CA668W	2935	CPC8324CA668G	2935	CPC8324CA668M	1680
* 70 x 24 x 29	215	CPC7024CA668W	2655	CPC7024CA668G	2655	CPC7024CA668M	1555
* 64 x 24 x 29	200	CPC6424CA668W	2623	CPC6424CA668G	2623	CPC6424CA668M	1540
* 58 x 24 x 29	190	CPC5824CA668W	2609	CPC5824CA668G	2609	CPC5824CA668M	1525

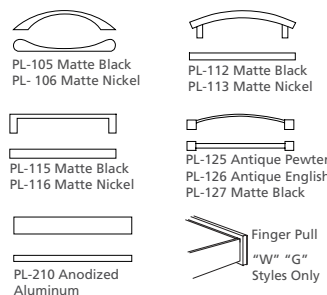
**2 SELECT A FINISH**

"W" Veneer	"G" HPL	"M" TFL	Finish
WAC	GAC	-	Amber Cherry
WRC	-	-	Caramel Cherry
WIC	GIC	-	Crimson Cherry
WEC	-	-	Ebony Cherry
WHC	GHC	MHC	Honey Cherry
WOC	GOC	MOC	KoKo Cherry
WSC	-	-	Scotch Cherry
WAM	GAM	-	Alabaster Maple
WCM	GCM	-	Clear Maple
WWM	GWM	-	Wheat Maple
WEW	GEW	-	Executive Walnut
WRW	GRW	-	Gray Luster Walnut
WGW	-	MGW	Gunstock Walnut
WJW	-	-	Judicial Walnut
WNW	GNW	-	Natural Walnut
WTW	GTW	MTW	Studio Teak Walnut
WWP	GWL	MWL	Designer White

**3 SELECT AN EDGE**



**4 SELECT HARDWARE**



**5 OPTIONS**

**ACCESSORIES**

- K28: Articulating Keyboard w/ Mouse - \$375

**DRAWER**

- P33: Wood Drawer Upgrade - \$40 per drawer
- P40W: extra Box/Box/File or File/File to Kneespace - \$875 (N/A on 58") (W,G)
- P40M: extra Box/Box/File or File/File to Kneespace - \$688 (N/A on 58") (M)
- WPD3061: Full fill designer white - \$75 per pedestal

**GROMMETS (STANDARD LOCATION)**

- Specify Color - \$45 ea.
- Black: TM30-C (Center)
- Silver: TM31-C (Center)
- Antique Brass: TM33-C (Center)

**GROMMETS (NON-STANDARD LOCATION)**

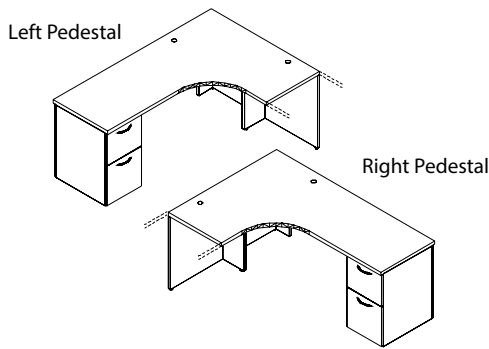
- Provide drawing w/ grommet location and specify color - \$90 ea.
- Black: TM30-NS
- Silver: TM31-NS
- Antique Brass: TM33-NS

**MODESTY**

- M34T-O: "W" "G" Style Drop Door Tech Modesty - \$295
- M34TM-O: "M" Style Drop Door Tech Modesty - \$225
- M37: "W" "G" Style Fixed Full Modesty - \$125
- M37M: "M" Style Fixed Full Modesty - \$75

**OPEN PLAN**

- OPB: "W" "G" Style - Modify Unit for Open Plan Application - \$250 (includes modesty)
- OPB: "M" Style - Modify Unit for Open Plan Application - \$195 (includes modesty)



**FILE/FILE**

**STANDARD FEATURES**

- 2 standard grommets - matches pull finish or specify black TM30, silver TM31 or antique brass TM33
- 4" H back rail - open back
- Full extension drawers - locking
- Soft close suspension drawer(s)

- Bridges, Workstation Desks or Service Desks.
- Unit not designed for open plan use. Select OPB Option for Open Plan application

**NOTES**

- All units are standard w/ flush ends
- Service Credenzas Can Be Used With Standard

[CLICK HERE TO VIEW PRODUCT INDEX](#)

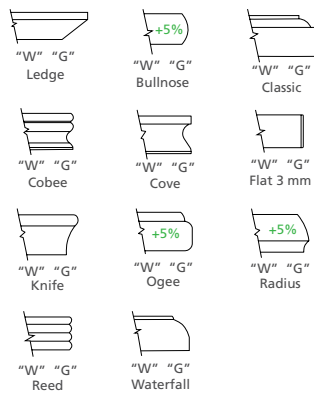
**1 SELECT A STYLE**

DIMENSIONS		STYLE NUMBER	LIST PRICE	STYLE NUMBER	LIST PRICE	STYLE NUMBER	LIST PRICE
W" x D" x H"	WGT	"W" Veneer Top Veneer Chassis		"G" High Pressure Laminate Top Veneer Chassis		"M" Thermally Fused Laminate Top Thermally Fused Laminate Chassis	
<b>Left Pedestal</b>							
87 x 24/48 x 29	300	CPC8748CA813W	3114	CPC8748CA813G	3114	CPC8748CA813M	1755
83 x 24/48 x 29	290	CPC8348CA813W	2981	CPC8348CA813G	2981	CPC8348CA813M	1735
70 x 24/48 x 29	280	CPC7048CA813W	2712	CPC7048CA813G	2712	CPC7048CA813M	1675
64 x 24/48 x 29	260	CPC6448CA813W	2642	CPC6448CA813G	2642	CPC6448CA813M	1645
<b>Right Pedestal</b>							
87 x 24/48 x 29	300	CPC8748CA814W	3114	CPC8748CA814G	3114	CPC8748CA814M	1755
83 x 24/48 x 29	290	CPC8348CA814W	2981	CPC8348CA814G	2981	CPC8348CA814M	1735
70 x 24/48 x 29	280	CPC7048CA814W	2712	CPC7048CA814G	2712	CPC7048CA814M	1675
64 x 24/48 x 29	260	CPC6448CA814W	2642	CPC6448CA814G	2642	CPC6448CA814M	1645

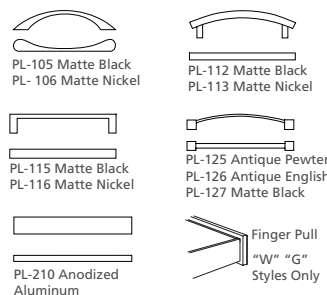
**2 SELECT A FINISH**

"W" Veneer	"G" HPL	"M" TFL	
WAC	GAC	-	Amber Cherry
WRC	-	-	Caramel Cherry
WIC	GIC	-	Crimson Cherry
WEC	-	-	Ebony Cherry
WHC	GHC	MHC	Honey Cherry
WOC	GOC	MOC	KoKo Cherry
WSC	-	-	Scotch Cherry
WAM	GAM	-	Alabaster Maple
WCM	GCM	-	Clear Maple
WWM	GWM	-	Wheat Maple
WEW	GEW	-	Executive Walnut
WRW	GRW	-	Gray Luster Walnut
WGW	-	MGW	Gunstock Walnut
WJW	-	-	Judicial Walnut
WNW	GNW	-	Natural Walnut
WTW	GTW	MTW	Studio Teak Walnut
WWP	GWL	MWL	Designer White

**3 SELECT AN EDGE**



**4 SELECT HARDWARE**



**5 OPTIONS**

**ACCESSORIES**

- K28: Articulating Keyboard w/ Mouse - \$375

**DRAWER**

- P6: Modify File/File to Box/Box/File - \$50 per pedestal
- P33: Wood Drawer Upgrade - \$40 per drawer
- WPD3061: Full fill designer white - \$75 per pedestal

**GROMMETS (NON-STANDARD LOCATION)**

- Provide drawing w/ grommet location and specify color - \$90 ea.
- Black: TM30-NS
- Silver: TM31-NS
- Antique Brass: TM33-NS

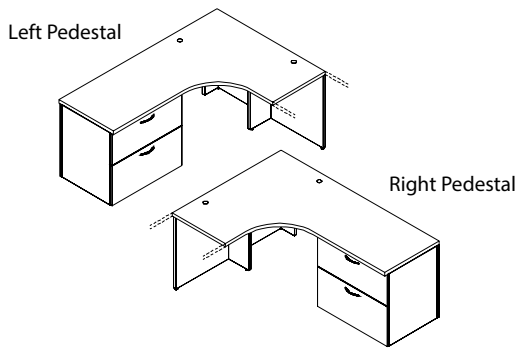
**MODESTY**

- M34T-O: "W" "G" Style Drop Door Tech Modesty - \$295
- M34TM-O: "M" Style Drop Door Tech Modesty - \$225
- M37: "W" "G" Style Fixed Full Modesty - \$125
- M37M: "M" Style Fixed Full Modesty - \$75

**OPEN PLAN**

- OPB: "W" "G" Style - Modify Unit for Open Plan Application - \$250 (includes modesty)
- OPB: "M" Style - Modify Unit for Open Plan Application - \$195 (includes modesty)





**LATERAL FILE**

**STANDARD FEATURES**

- 2 standard grommets - matches pull finish or specify black TM30, silver TM31 or antique brass TM33
- 4" H back rail - open back
- Full extension drawers - locking
- Legal/Double letter filing
- Soft close suspension drawer(s)

- Service Credenzas Can Be Used With Standard Bridges And Workstation Desks or Service Desks.
- Unit not designed for open plan use. Select OPB Option for Open Plan application

**NOTES**

- All units are standard w/ flush ends

[CLICK HERE TO VIEW PRODUCT INDEX](#)

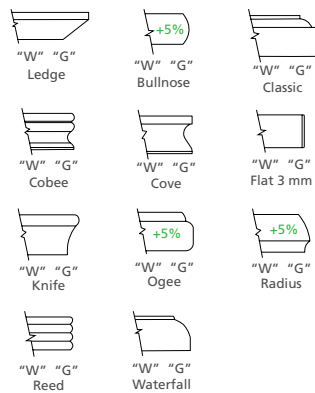
**1 SELECT A STYLE**

DIMENSIONS		STYLE NUMBER	LIST PRICE	STYLE NUMBER	LIST PRICE	STYLE NUMBER	LIST PRICE
W" x D" x H"	WGT	"W" Veneer Top Veneer Chassis		"G" High Pressure Laminate Top Veneer Chassis		"M" Thermally Fused Laminate Top Thermally Fused Laminate Chassis	
<b>Left Pedestal</b>							
87 x 24/48 x 29	335	CPC8748CA815W	3446	CPC8748CA815G	3446	CPC8748CA815M	1930
83 x 24/48 x 29	325	CPC8348CA815W	3312	CPC8348CA815G	3312	CPC8348CA815M	1910
70 x 24/48 x 29	310	CPC7048CA815W	3043	CPC7048CA815G	3043	CPC7048CA815M	1790
64 x 24/48 x 29	290	CPC6448CA815W	2981	CPC6448CA815G	2981	CPC6448CA815M	1760
<b>Right Pedestal</b>							
87 x 24/48 x 29	335	CPC8748CA816W	3446	CPC8748CA816G	3446	CPC8748CA816M	1930
83 x 24/48 x 29	325	CPC8348CA816W	3312	CPC8348CA816G	3312	CPC8348CA816M	1910
70 X 24/48 X 29	310	CPC7048CA816W	3043	CPC7048CA816G	3043	CPC7048CA816M	1790
64 x 24/48 x 29	290	CPC6448CA816W	2981	CPC6448CA816G	2981	CPC6448CA816M	1760

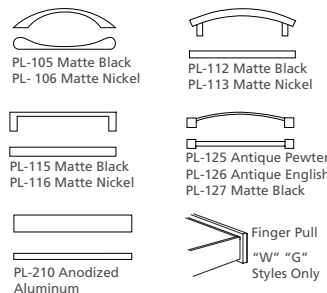
**2 SELECT A FINISH**

"W" Veneer	"G" HPL	"M" TFL	
WAC	GAC	-	Amber Cherry
WRC	-	-	Caramel Cherry
WIC	GIC	-	Crimson Cherry
WEC	-	-	Ebony Cherry
WHC	GHC	MHC	Honey Cherry
WOC	GOC	MOC	KoKo Cherry
WSC	-	-	Scotch Cherry
WAM	GAM	-	Alabaster Maple
WCM	GCM	-	Clear Maple
WWM	GWM	-	Wheat Maple
WEW	GEW	-	Executive Walnut
WRW	GRW	-	Gray Luster Walnut
WGW	-	MGW	Gunstock Walnut
WJW	-	-	Judicial Walnut
WNW	GNW	-	Natural Walnut
WTW	GTW	MTW	Studio Teak Walnut
WWP	GWL	MWL	Designer White

**3 SELECT AN EDGE**



**4 SELECT HARDWARE**



**5 OPTIONS**

**ACCESSORIES**

- K28: Articulating Keyboard w/ Mouse - \$375

**DRAWER**

- P33: Wood Drawer Upgrade - \$40 per drawer
- WPD3061: Full fill designer white - \$75 per pedestal

**GROMMETS (NON-STANDARD LOCATION)**

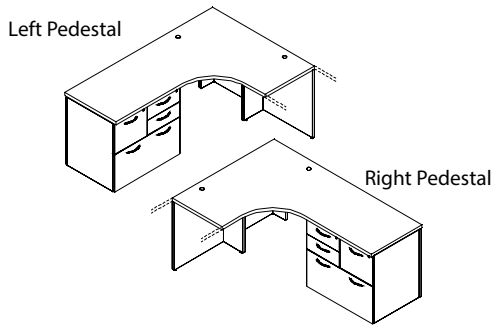
- Provide drawing w/ grommet location and specify color - \$90 ea.
- Black: TM30-NS
- Silver: TM31-NS
- Antique Brass: TM33-NS

**MODESTY**

- M34T-O: "W" "G" Style Drop Door Tech Modesty - \$295
- M34TM-O: "M" Style Drop Door Tech Modesty - \$225
- M37: "W" "G" Style Fixed Full Modesty - \$125
- M37M: "M" Style Fixed Full Modesty - \$75

**OPEN PLAN**

- OPB: "W" "G" Style - Modify Unit for Open Plan Application - \$250 (includes modesty)
- OPB: "M" Style - Modify Unit for Open Plan Application - \$195 (includes modesty)



**MULTI-FILE**

**STANDARD FEATURES**

- 2 standard grommets - matches pull finish or specify black TM30, silver TM31 or antique brass TM33
- 4" H back rail - open back
- Full extension drawers - locking
- Soft close suspension drawer(s)

Bridges And Workstation Desks or Service Desks.  
- Unit not designed for open plan use. Select OPB Option for Open Plan application

**NOTES**

- All units are standard w/ flush ends
- Service Credenzas Can Be Used With Standard

[CLICK HERE TO VIEW PRODUCT INDEX](#)

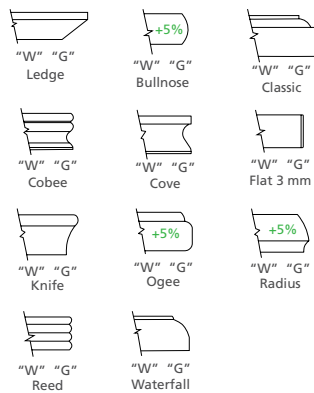
**1 SELECT A STYLE**

DIMENSIONS		STYLE NUMBER	LIST PRICE	STYLE NUMBER	LIST PRICE	STYLE NUMBER	LIST PRICE
W" x D" x H"	WGT	"W" Veneer Veneer Top Veneer Chassis		"G" HPL High Pressure Laminate Top Veneer Chassis		"M" TFL Thermally Fused Laminate Top Thermally Fused Laminate Chassis	
<b>Left Pedestal</b>							
87 x 24/48 x 29	335	CPC8748CA805W	3783	CPC8748CA805G	3783	CPC8748CA805M	2005
83 x 24/48 x 29	325	CPC8348CA805W	3650	CPC8348CA805G	3650	CPC8348CA805M	1985
70 x 24/48 x 29	310	CPC7048CA805W	3382	CPC7048CA805G	3382	CPC7048CA805M	1865
64 x 24/48 x 29	290	CPC6448CA805W	3312	CPC6448CA805G	3312	CPC6448CA805M	1835
<b>Right Pedestal</b>							
87 x 24/48 x 29	325	CPC8748CA806W	3783	CPC8748CA806G	3783	CPC8748CA806M	2005
83 x 24/48 x 29	325	CPC8348CA806W	3650	CPC8348CA806G	3650	CPC8348CA806M	1985
70 x 24/48 x 29	310	CPC7048CA806W	3382	CPC7048CA806G	3382	CPC7048CA806M	1865
64 x 24/48 x 29	290	CPC6448CA806W	3312	CPC6448CA806G	3312	CPC6448CA806M	1835

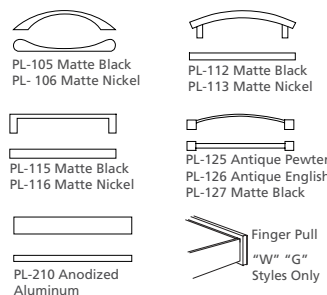
**2 SELECT A FINISH**

"W" Veneer	"G" HPL	"M" TFL	
WAC	GAC	-	Amber Cherry
WRC	-	-	Caramel Cherry
WIC	GIC	-	Crimson Cherry
WEC	-	-	Ebony Cherry
WHC	GHC	MHC	Honey Cherry
WOC	GOC	MOC	KoKo Cherry
WSC	-	-	Scotch Cherry
WAM	GAM	-	Alabaster Maple
WCM	GCM	-	Clear Maple
WWM	GWM	-	Wheat Maple
WEW	GEW	-	Executive Walnut
WRW	GRW	-	Gray Luster Walnut
WGW	-	MGW	Gunstock Walnut
WJW	-	-	Judicial Walnut
WNW	GNW	-	Natural Walnut
WTW	GTW	MTW	Studio Teak Walnut
WWP	GWL	MWL	Designer White

**3 SELECT AN EDGE**



**4 SELECT HARDWARE**



**5 OPTIONS**

**ACCESSORIES**

- K28: Articulating Keyboard w/ Mouse - \$375

**DRAWER**

- P33: Wood Drawer Upgrade - \$40 per drawer  
- WPD3061: Full fill designer white - \$75 per pedestal

**GROMMETS (NON-STANDARD LOCATION)**

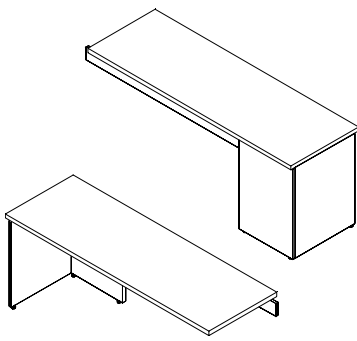
Provide drawing w/ grommet location and specify color - \$90 ea.  
- Black: TM30-NS  
- Silver: TM31-NS  
- Antique Brass: TM33-NS

**MODESTY**

- M34T-O: "W" "G" Style Drop Door Tech Modesty - \$295  
- M34TM-O: "M" Style Drop Door Tech Modesty - \$225  
- M37: "W" "G" Style Fixed Full Modesty - \$125  
- M37M: "M" Style Fixed Full Modesty - \$75

**OPEN PLAN**

- OPB: "W" "G" Style - Modify Unit for Open Plan Application - \$250 (includes modesty)  
- OPB: "M" Style - Modify Unit for Open Plan Application - \$195 (includes modesty)



**OPEN BACK**

**STANDARD FEATURES**

- 4"H back rail - open back

handed

- Unit ships assembled

**NOTES**

- All units are standard w/ flush ends
- Grain Direction Runs Front To Back On 42"/48"/60" Sizes on "G" and "M" styles and all "W" styles
- Grain Runs End To End On 66"/72" Sizes on "G" and "M" styles
- If grommet is added then unit will become

[CLICK HERE TO VIEW PRODUCT INDEX](#)

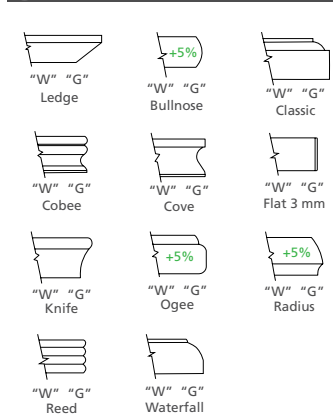
**1 SELECT A STYLE**

DIMENSIONS		STYLE NUMBER	LIST PRICE	STYLE NUMBER	LIST PRICE	STYLE NUMBER	LIST PRICE
W" x D" x H"	WGT	"W" Veneer Veneer Top Veneer Chassis		"G" HPL High Pressure Laminate Top Veneer Chassis		"M" TFL Thermally Fused Laminate Top Thermally Fused Laminate Chassis	
<b>Non-Handed</b>							
72 x 24 x 29	110	CPC7224RE202W	1510	CPC7224RE202G	1510	CPC7224RE202M	855
66 x 24 x 29	100	CPC6624RE202W	1442	CPC6624RE202G	1442	CPC6624RE202M	835
60 x 24 x 29	95	CPC6024RE202W	1371	CPC6024RE202G	1371	CPC6024RE202M	765
54 x 24 x 29	90	CPC5424RE202W	1300	CPC5424RE202G	1300	CPC5424RE202M	750
48 x 24 x 29	85	CPC4824RE202W	1224	CPC4824RE202G	1224	CPC4824RE202M	735

**2 SELECT A FINISH**

"W" Veneer	"G" HPL	"M" TFL	
WAC	GAC	-	Amber Cherry
WRC	-	-	Caramel Cherry
WIC	GIC	-	Crimson Cherry
WEC	-	-	Ebony Cherry
WHC	GHC	MHC	Honey Cherry
WOC	GOC	MOC	KoKo Cherry
WSC	-	-	Scotch Cherry
WAM	GAM	-	Alabaster Maple
WCM	GCM	-	Clear Maple
WWM	GWM	-	Wheat Maple
WEW	GEW	-	Executive Walnut
WRW	GRW	-	Gray Luster Walnut
WGW	-	MGW	Gunstock Walnut
WJW	-	-	Judicial Walnut
WNW	GNW	-	Natural Walnut
WTW	GTW	MTW	Studio Teak Walnut
WWP	GWL	MWL	Designer White

**3 SELECT AN EDGE**



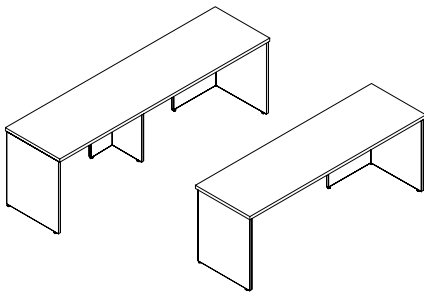
**4 SELECT HARDWARE**

Hardware Option Not Available

**5 OPTIONS**

- ACCESSORIES**
- K28: Articulating Keyboard w/ Mouse - \$375
  - K31: Center drawer w/o skirt - \$195
- GROMMETS (STANDARD LOCATION)**
- Specify Color and Left/Right - \$45 ea.
- Black: TM30-R (Right), TM30-L (Left)
  - Silver: TM31-R (Right), TM31-L (Left)
  - Antique Brass: TM33-R (Right), TM33-L (Left)
- GROMMETS (NON-STANDARD LOCATION)**
- Provide drawing w/ grommet location and specify color - \$90 ea.
- Black: TM30-NS
  - Silver: TM31-NS
  - Antique Brass: TM33-NS
- MODESTY**
- M34T-O: "W" "G" Style Drop Door Tech Modesty - \$295
  - M34TM-O: "M" Style Drop Door Tech Modesty - \$225
  - M37: "W" "G" Style Fixed Full Modesty - \$125
  - M37M: "M" Style Fixed Full Modesty - \$75

WORKSTATION FREESTANDING CREDENZA SHELLS



OPEN BACK

contact factory to confirm size availability.

NOTES

- 93" /99"/105" Units w/ Center "T" Support
- All units are standard w/ flush ends
- Can Be Used Freestanding Or Create "L" And "U" Workstations Using Runoff Desk, With Bench Credenza, Return, or Bridge.
- Half support end when runoff is attached w/ modesty
- When ganging multiple modular pedestals together (without kneespace) under shell units,

[CLICK HERE TO VIEW PRODUCT INDEX](#)

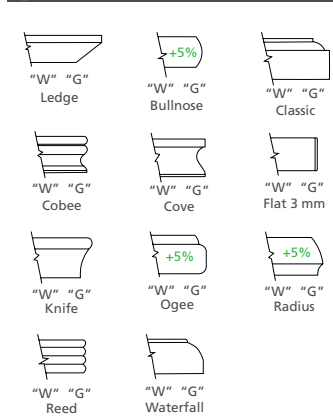
1 SELECT A STYLE

DIMENSIONS		STYLE NUMBER	LIST PRICE	STYLE NUMBER	LIST PRICE	STYLE NUMBER	LIST PRICE
W" x D" x H"	WGT	"W" Veneer Top Veneer Chassis		"G" High Pressure Laminate Top Veneer Chassis		"M" Thermally Fused Laminate Top Thermally Fused Laminate Chassis	
105 x 24 x 29	250	CPC10524CA082W	3043	CPC10524CA082G	3043	"M" Option N/A	
99 x 24 x 29	235	CPC9924CA082W	2642	CPC9924CA082G	2642	"M" Option N/A	
93 x 24 x 29	225	CPC9324CA082W	2367	CPC9324CA082G	2367	CPC9324CA082M	1130
87 x 24 x 29	205	CPC8724CA082W	2106	CPC8724CA082G	2106	CPC8724CA082M	1070
83 x 24 x 29	175	CPC8324CA082W	1825	CPC8324CA082G	1825	CPC8324CA082M	1050
77 x 24 x 29	165	CPC7724CA082W	1761	CPC7724CA082G	1761	CPC7724CA082M	1020
70 x 24 x 29	155	CPC7024CA082W	1698	CPC7024CA082G	1698	CPC7024CA082M	990
64 x 24 x 29	145	CPC6424CA082W	1659	CPC6424CA082G	1659	CPC6424CA082M	960
58 x 24 x 29	135	CPC5824CA082W	1621	CPC5824CA082G	1621	CPC5824CA082M	930

2 SELECT A FINISH

"W" Veneer	"G" HPL	"M" TFL	Finish
WAC	GAC	-	Amber Cherry
WRC	-	-	Caramel Cherry
WIC	GIC	-	Crimson Cherry
WEC	-	-	Ebony Cherry
WHC	GHC	MHC	Honey Cherry
WOC	GOC	MOC	KoKo Cherry
WSC	-	-	Scotch Cherry
WAM	GAM	-	Alabaster Maple
WCM	GCM	-	Clear Maple
WWM	GWM	-	Wheat Maple
WEW	GEW	-	Executive Walnut
WRW	GRW	-	Gray Luster Walnut
WGW	-	MGW	Gunstock Walnut
WJW	-	-	Judicial Walnut
WNW	GNW	-	Natural Walnut
WTW	GTW	MTW	Studio Teak Walnut
WWP	GWL	MWL	Designer White

3 SELECT AN EDGE

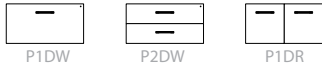
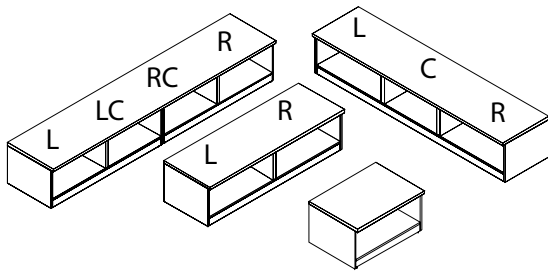


4 SELECT HARDWARE

Hardware Option Not Available

5 OPTIONS

- ACCESSORIES**
- K28: Articulating Keyboard w/ Mouse - \$375
- GROMMETS (STANDARD LOCATION)**
- Specify Color and Left/Right/Center - \$45 ea.
- Black: TM30-R (Right), TM30-L (Left), TM30-C (Center)
  - Silver: TM31-R (Right), TM31-L (Left), TM31-C (Center)
  - Antique Brass: TM33-R (Right), TM33-L (Left), TM33-C (Center)
- GROMMETS (NON-STANDARD LOCATION)**
- Provide drawing w/ grommet location and specify color - \$90 ea.
- Black: TM30-NS
  - Silver: TM31-NS
  - Antique Brass: TM33-NS
- MODESTY**
- M34T-O: "W" "G" Style Drop Door Tech Modesty - \$295
  - M34TM-O: "M" Style Drop Door Tech Modesty - \$225
  - M37: "W" "G" Style Fixed Full Modesty - \$125
  - M37M: "M" Style Fixed Full Modesty - \$75



ONE, TWO, THREE AND FOUR SECTION STORAGE

STANDARD FEATURES

- 6 Wire dividers per open cabinet
- Finished back - open plan

NOTES

- All units are standard w/ flush ends
- To Use Runoff Desk With Bench Cabinets, Order Bench Runoff Support Ends: See Bench Accessory Page 60-63

[CLICK HERE TO VIEW PRODUCT INDEX](#)

1 SELECT A STYLE

DIMENSIONS		STYLE NUMBER	LIST PRICE	STYLE NUMBER	LIST PRICE	STYLE NUMBER	LIST PRICE
W" x D" x H"	WGT	"W" Veneer Top Veneer Chassis		"G" High Pressure Laminate Top Veneer Chassis		"M" Thermally Fused Laminate Top Thermally Fused Laminate Chassis	
<b>Four Section Storage</b>							
116 x 24 x 19	395	CPC11624CA062W	4078	CPC11624CA062G	4078	"M" Option N/A	
<b>Three Section Storage</b>							
105 x 24 x 19	275	CPC10524CA062W	2980	CPC10524CA062G	2980	"M" Option N/A	
99 x 24 x 29	245	CPC9924CA062W	2738	CPC9924CA062G	2738	"M" Option N/A	
93 x 24 x 19	235	CPC9324CA062W	2603	CPC9324CA062G	2603	CPC9324CA062M	1745
87 x 24 x 19	225	CPC8724CA062W	2533	CPC8724CA062G	2533	CPC8724CA062M	1575
<b>Two Section Storage</b>							
70 x 24 x 19	185	CPC7024CA062W	1763	CPC7024CA062G	1763	CPC7024CA062M	1315
58 x 24 x 19	165	CPC5824CA062W	1702	CPC5824CA062G	1702	CPC5824CA062M	1220
<b>One Section Storage</b>							
35 x 24 x 19	80	CPC3524CA062W	881	CPC3524CA062G	881	CPC3524CA062M	535
29 x 24 x 19	75	CPC2924CA062W	851	CPC2924CA062G	851	CPC2924CA062M	515

BC24 Cushion (Choose Grade Below)

COM	COL	1	2	3	4	5	6	7	8	9	10	11/ L1	12	13/ L2
220	250	280	300	320	340	360	380	400	420	440	460	480	500	540

2 SELECT A FINISH

"W" Veneer	"G" HPL	"M" TFL	
WAC	GAC	-	Amber Cherry
WRC	-	-	Caramel Cherry
WIC	GIC	-	Crimson Cherry
WEC	-	-	Ebony Cherry
WHC	GHC	MHC	Honey Cherry
WOC	GOC	MOC	KoKo Cherry
WSC	-	-	Scotch Cherry
WAM	GAM	-	Alabaster Maple
WCM	GCM	-	Clear Maple
WWM	GWM	-	Wheat Maple
WEW	GEW	-	Executive Walnut
WRW	GRW	-	Gray Luster Walnut
WGW	-	MGW	Gunstock Walnut
WJW	-	-	Judicial Walnut
WNW	GNW	-	Natural Walnut
WTW	GTW	MTW	Studio Teak Walnut
WWP	GWL	MWL	Designer White

3 SELECT AN EDGE



"W" "G" Flat 3 mm

5 OPTIONS

CUSHION

- Specify location, number of cushions and fabric grade.
- Cushions sold individually w/a max width 35" (to match storage section depth) (See graded pricing)
- BC24: Bench Cushion

STORAGE

- Specify pull with storage option/ Specify location of each cabinet
- Lateral file - P1DW: For "W" and "G" - \$495. P1DM for "M" - \$250
- Two Box - P2DW: For "W" and "G" - \$495. P1DM for "M" - \$250
- Two Door Storage - P1DR: For "W" and "G" - \$495. P1DM for "M" - \$125

GROMMETS (STANDARD LOCATION)

- Specify Color and Left/Right/Center - \$45 ea.
- Black: TM30-R (Right), TM30-L (Left), TM30-C (Center)
- Silver: TM31-R (Right), TM31-L (Left), TM31-C (Center)
- Antique Brass: TM33-R (Right), TM33-L (Left), TM33-C (Center)

GROMMETS (NON-STANDARD LOCATION)

- Provide drawing w/ grommet location and specify color - \$90 ea.
- Black: TM30-NS
- Silver: TM31-NS
- Antique Brass: TM33-NS

GROMMETS (VERTICAL SURFACE)

- Standard Location - \$45 ea.
- Black Plastic Vertical Surface: TM50-C (Bottom Center)
- Non-Standard Location - \$90 ea.
- Black Plastic Vertical Surface: TM50-NS

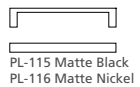
4 SELECT HARDWARE



PL-105 Matte Black  
PL-106 Matte Nickel



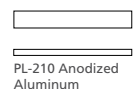
PL-112 Matte Black  
PL-113 Matte Nickel



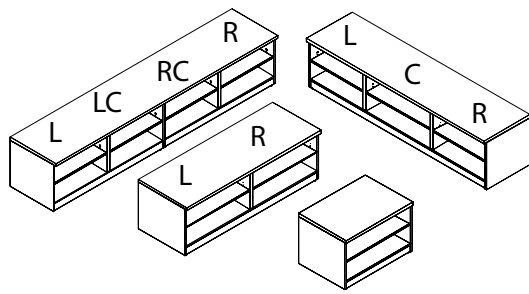
PL-115 Matte Black  
PL-116 Matte Nickel



PL-125 Antique Pewter  
PL-126 Antique English  
PL-127 Matte Black



PL-210 Anodized Aluminum



ONE, TWO, THREE AND FOUR SECTION STORAGE

STANDARD FEATURES

- Finished back - open plan
- Top w/ flat edges

NOTES

- All units are standard w/ flush ends
- To Use Runoff Desk With Bench Cabinets, Order Bench Runoff Support Ends: See Bench Accessory Page 60-63

[CLICK HERE TO VIEW PRODUCT INDEX](#)

1 SELECT A STYLE

DIMENSIONS		STYLE NUMBER	LIST PRICE	STYLE NUMBER	LIST PRICE	STYLE NUMBER	LIST PRICE
W" x D" x H"	WGT	"W" Veneer Top Veneer Chassis		"G" High Pressure Laminate Top Veneer Chassis		"M" Thermally Fused Laminate Top Thermally Fused Laminate Chassis	
<b>Four Section Storage</b>							
116 x 24 x 23	450	CPC11624CA063W	4564	CPC11624CA063G	4564	"M" Option N/A	
<b>Three Section Storage</b>							
105 x 24 x 23	325	CPC10524CA063W	3494	CPC10524CA063G	3494	"M" Option N/A	
99 x 24 x 23	315	CPC9924CA063W	3372	CPC9924CA063G	3372	"M" Option N/A	
93 x 24 x 23	300	CPC9324CA063W	3227	CPC9324CA063G	3227	CPC9324CA063M	2050
87 x 24 x 23	290	CPC8724CA063W	2984	CPC8724CA063G	2984	CPC8724CA063M	1850
<b>Two Section Storage</b>							
70 x 24 x 23	225	CPC7024CA063W	2133	CPC7024CA063G	2133	CPC7024CA063M	1545
58 x 24 x 23	210	CPC5824CA063W	2012	CPC5824CA063G	2012	CPC5824CA063M	1435
<b>One Section Storage</b>							
35 x 24 x 23	95	CPC3524CA063W	1125	CPC3524CA063G	1125	CPC3524CA063M	630
29 x 24 x 23	90	CPC2924CA063W	1094	CPC2924CA063G	1094	CPC2924CA063M	605

BC24 Cushion (Choose Grade Below)

COM	COL	1	2	3	4	5	6	7	8	9	10	11/ L1	12	13/ L2
220	250	280	300	320	340	360	380	400	420	440	460	480	500	540

2 SELECT A FINISH

"W" Veneer	"G" HPL	"M" TFL	
WAC	GAC	-	Amber Cherry
WRC	-	-	Caramel Cherry
WIC	GIC	-	Crimson Cherry
WEC	-	-	Ebony Cherry
WHC	GHC	MHC	Honey Cherry
WOC	GOC	MOC	KoKo Cherry
WSC	-	-	Scotch Cherry
WAM	GAM	-	Alabaster Maple
WCM	GCM	-	Clear Maple
WWM	GWM	-	Wheat Maple
WEW	GEW	-	Executive Walnut
WRW	GRW	-	Gray Luster Walnut
WGW	-	MGW	Gunstock Walnut
WJW	-	-	Judicial Walnut
WNW	GNW	-	Natural Walnut
WTW	GTW	MTW	Studio Teak Walnut
WWP	GWL	MWL	Designer White

3 SELECT AN EDGE



5 OPTIONS

CUSHION

- Specify location, number of cushions and fabric grade.
- Cushions sold individually w/a max width 35" (to match storage section depth) (See graded pricing)
- BC24: Bench Cushion

GROMMETS (STANDARD LOCATION)

- Specify Color and Left/Right/Center - \$45 ea.
- Black: TM30-R (Right), TM30-L (Left), TM30-C (Center)
- Silver: TM31-R (Right), TM31-L (Left), TM31-C (Center)
- Antique Brass: TM33-R (Right), TM33-L (Left), TM33-C (Center)

GROMMETS (NON-STANDARD LOCATION)

- Provide drawing w/ grommet location and specify color - \$90 ea.
- Black: TM30-NS
- Silver: TM31-NS
- Antique Brass: TM33-NS

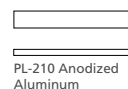
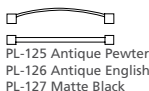
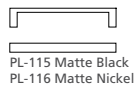
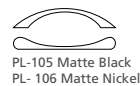
GROMMETS (VERTICAL SURFACE)

- Standard Location - \$45 ea.
- Black Plastic Vertical Surface: TM50-C (Bottom Center)
- Non-Standard Location - \$90 ea.
- Black Plastic Vertical Surface: TM50-NS

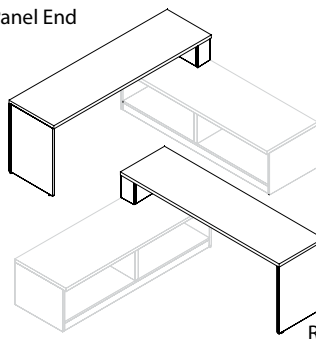
STORAGE

- Specify pull with storage option/ Specify location of each cabinet
- Storage Door - P2DR: For "W" and "G" - \$275. P2DR for "M" - \$175.
- Box/Lateral File - P1BL: For "W" and "G" - \$595. P1BL for "M" - \$300.
- Three Box File - P3BX: For "W" and "G" - \$495. P3BX for "M" - \$300.

4 SELECT HARDWARE



Left Panel End



Right Panel End

**OPEN BACK - "L" SUPPORT**

**STANDARD FEATURES**

- Bench runoff support end included

**NOTES**

- All units are standard w/ flush ends
- Meant to hook to benches only (single and double)
- See modular pedestal section for use under shells

[CLICK HERE TO VIEW PRODUCT INDEX](#)

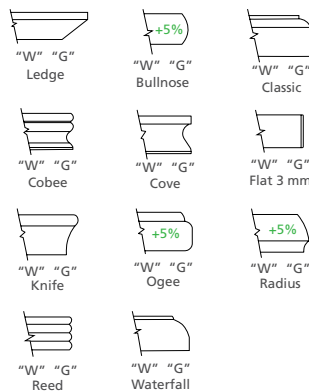
**1 SELECT A STYLE**

DIMENSIONS		STYLE NUMBER	LIST PRICE	STYLE NUMBER	LIST PRICE	STYLE NUMBER	LIST PRICE
W" x D" x H"	WGT	"W" Veneer Veneer Top Veneer Chassis		"G" HPL High Pressure Laminate Top Veneer Chassis		"M" TFL Thermally Fused Laminate Top Thermally Fused Laminate Chassis	
<b>Left Full Panel</b>							
95 x 24 x 29	150	CPC9524CA674W	2255	CPC9524CA674G	2255	CPC9524CA674M	1385
83 x 24 x 29	140	CPC8324CA674W	1738	CPC8324CA674G	1677	CPC8324CA674M	1245
77 x 24 x 29	130	CPC7724CA674W	1677	CPC7724CA674G	1677	CPC7724CA674M	1175
71 x 24 x 29	120	CPC7124CA674W	1617	CPC7124CA674G	1617	CPC7124CA674M	1105
65 x 24 x 29	110	CPC6524CA674W	1580	CPC6524CA674G	1580	CPC6524CA674M	1035
59 x 24 x 29	105	CPC5924CA674W	1543	CPC5924CA674G	1543	CPC5924CA674M	965
<b>Right Full Panel</b>							
95 x 24 x 29	150	CPC9524CA675W	2255	CPC9524CA675G	2255	CPC9524CA675M	1385
83 x 24 x 29	140	CPC8324CA675W	1738	CPC8324CA675G	1738	CPC8324CA675M	1245
77 x 24 x 29	130	CPC7724CA675W	1677	CPC7724CA675G	1677	CPC7724CA675M	1175
71 x 24 x 29	120	CPC7124CA675W	1617	CPC7124CA675G	1617	CPC7124CA675M	1105
65 x 24 x 29	110	CPC6524CA675W	1580	CPC6524CA675G	1580	CPC6524CA675M	1035
59 x 24 x 29	105	CPC5924CA675W	1543	CPC5924CA675G	1543	CPC5924CA675M	965

**2 SELECT A FINISH**

"W" Veneer	"G" HPL	"M" TFL	Finish
WAC	GAC	-	Amber Cherry
WRC	-	-	Caramel Cherry
WIC	GIC	-	Crimson Cherry
WEC	-	-	Ebony Cherry
WHC	GHC	MHC	Honey Cherry
WOC	GOC	MOC	KoKo Cherry
WSC	-	-	Scotch Cherry
WAM	GAM	-	Alabaster Maple
WCM	GCM	-	Clear Maple
WWM	GWM	-	Wheat Maple
WEW	GEW	-	Executive Walnut
WRW	GRW	-	Gray Luster Walnut
WGW	-	MGW	Gunstock Walnut
WJW	-	-	Judicial Walnut
WNW	GNW	-	Natural Walnut
WTW	GTW	MTW	Studio Teak Walnut
WWP	GWL	MWL	Designer White

**3 SELECT AN EDGE**



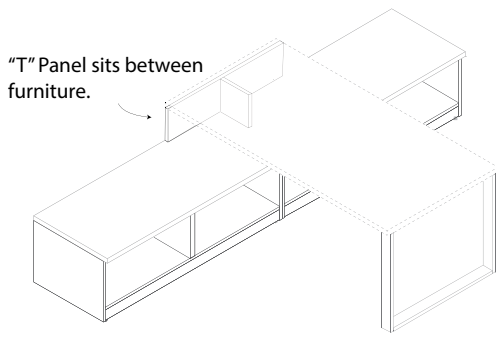
**5 OPTIONS**

**GROMMETS (STANDARD LOCATION)**  
Specify Color and Left/Right/Center - \$45 ea.  
- Black: TM30-R (Right), TM30-L (Left), TM30-C (Center)  
- Silver: TM31-R (Right), TM31-L (Left), TM31-C (Center)  
- Antique Brass: TM33-R (Right), TM33-L (Left), TM33-C (Center)

**GROMMETS (NON-STANDARD LOCATION)**  
Provide drawing w/ grommet location and specify color - \$90 ea.  
- Black: TM30-NS  
- Silver: TM31-NS  
- Antique Brass: TM33-NS

**4 SELECT HARDWARE**

Hardware Option Not Available



**BENCH RUNOFF SUPPORT WOOD "T" PANEL**

**NOTES**

- Used when specifying runoff desk for use with bench credenzas
- Wood "T" Panel (Factory Installed) on runoff

[CLICK HERE TO VIEW PRODUCT INDEX](#)

**1 SELECT A STYLE**

DIMENSIONS		STYLE NUMBER	LIST PRICE	STYLE NUMBER	LIST PRICE	STYLE NUMBER	LIST PRICE
W" x D" x H"	WGT	"W" Veneer Veneer Top Veneer Chassis		"G" HPL High Pressure Laminate Top Veneer Chassis		"M" TFL Thermally Fused Laminate Top Thermally Fused Laminate Chassis	
<b>For 19" Bench</b>							
36" Runoff	20	19BRT36W	443	"G" Option N/A		19BRT36M	310
30" Runoff	15	19BRT30W	407	"G" Option N/A		19BRT30M	290
<b>For 23" Bench</b>							
36" Runoff	25	23BRT36W	384	"G" Option N/A		23BRT36M	270
30" Runoff	20	23BRT30W	348	"G" Option N/A		23BRT30M	250

**2 SELECT A FINISH      3 SELECT AN EDGE      5 OPTIONS**

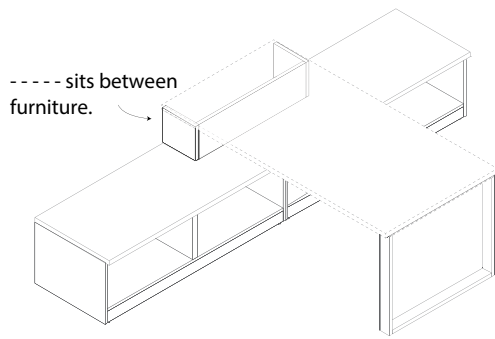
"W" Veneer	"G" HPL	"M" TFL	
WAC	-	-	Amber Cherry
WRC	-	-	Caramel Cherry
WIC	-	-	Crimson Cherry
WEC	-	-	Ebony Cherry
WHC	-	MHC	Honey Cherry
WOC	-	MOC	KoKo Cherry
WSC	-	-	Scotch Cherry
WAM	-	-	Alabaster Maple
WCM	-	-	Clear Maple
WWM	-	-	Wheat Maple
WEW	-	-	Executive Walnut
WRW	GRW	-	Gray Luster Walnut
WGW	-	MGW	Gunstock Walnut
WJW	-	-	Judicial Walnut
WNW	-	-	Natural Walnut
WTW	-	MTW	Studio Teak Walnut
WWP	-	MWL	Designer White

Edge Profile  
Option Not Available

**4 SELECT HARDWARE**

Hardware  
Option Not Available





**BENCH RUNOFF TECHNOLOGY SUPPORT**

**NOTES**

- Cavity is 7.75" D X 8.25" I x 5" H
- Order Power/Data Modules Separately - See Option Page

[CLICK HERE TO VIEW PRODUCT INDEX](#)

**1 SELECT A STYLE**

DIMENSIONS		STYLE NUMBER	LIST PRICE	STYLE NUMBER	LIST PRICE	STYLE NUMBER	LIST PRICE
W" x D" x H"	WGT	"W" Veneer Top Veneer Chassis		"G" HPL High Pressure Laminate Top Veneer Chassis		"M" TFL Thermally Fused Laminate Top Thermally Fused Laminate Chassis	
<b>For 19" Bench</b>							
36" Runoff	20	19BRN36W	525	"G" Option N/A		19BRN36M	365
30" Runoff	15	19BRN30W	502	"G" Option N/A		19BRN30M	345
<b>For 23" Bench</b>							
36" Runoff	25	23BRN36W	466	"G" Option N/A		23BRN36M	325
30" Runoff	20	23BRN30W	443	"G" Option N/A		23BRN30M	305

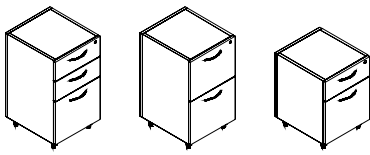
**2 SELECT A FINISH**      **3 SELECT AN EDGE**      **5 OPTIONS**

"W" Veneer	"G" HPL	"M" TFL	
WAC	-	-	Amber Cherry
WRC	-	-	Caramel Cherry
WIC	-	-	Crimson Cherry
WEC	-	-	Ebony Cherry
WHC	-	MHC	Honey Cherry
WOC	-	MOC	KoKo Cherry
WSC	-	-	Scotch Cherry
WAM	-	-	Alabaster Maple
WCM	-	-	Clear Maple
WWM	-	-	Wheat Maple
WEW	-	-	Executive Walnut
WRW	GRW	-	Gray Luster Walnut
WGW	-	MGW	Gunstock Walnut
WJW	-	-	Judicial Walnut
WNW	-	-	Natural Walnut
WTW	-	MTW	Studio Teak Walnut
WWP	-	MWL	Designer White

Edge Profile  
Option Not Available

**4 SELECT HARDWARE**

Hardware  
Option Not Available



**OPEN PLAN MOBILE DESK PEDESTAL WITH CASTERS**

**STANDARD FEATURES**

- Anti-tilt safety feature
- Finished all sides and top - open plan
- Full extension drawers - locking
- Soft close suspension drawer(s)

**NOTES**

- Pedestal Cushion can be specified on all pedestals, but on Box/ Box/ File and File/File unit will not fit under work surface w/ cushion.

[CLICK HERE TO VIEW PRODUCT INDEX](#)

**1 SELECT A STYLE**

DIMENSIONS		STYLE NUMBER	LIST PRICE	STYLE NUMBER	LIST PRICE	STYLE NUMBER	LIST PRICE
W" x D" x H"	WGT	"W" Veneer Top Veneer Chassis		"G" HPL High Pressure Laminate Top Veneer Chassis		"M" TFL Thermally Fused Laminate Top Thermally Fused Laminate Chassis	
<b>Box/Box/File</b>							
16 x 18 x 27	70	CPC1618PD424W	1040	"G" option N/A		CPC1618PD424M	910
<b>File/File</b>							
16 x 18 x 27	70	CPC1618PD425W	1040	"G" option N/A		CPC1618PD425M	910
<b>Box/File</b>							
16 x 18 x 23	55	CPC1618PD423W	960	"G" Option N/A		CPC1618PD423M	840

**BC16 Cushion (Choose Grade Below)**

COM	COL	1	2	3	4	5	6	7	8	9	10	11/ L1	12	13/ L2
215	n/a	245	260	275	290	305	320	335	350	365	380	395	410	425

**2 SELECT A FINISH**      **3 SELECT AN EDGE**      **5 OPTIONS**

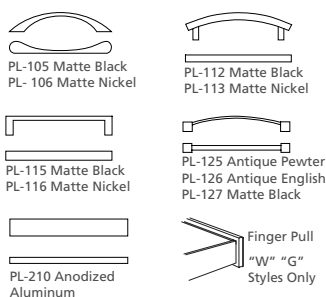
"W" Veneer	"G" HPL	"M" TFL	Finish
WAC	-	-	Amber Cherry
WRC	-	-	Caramel Cherry
WIC	-	-	Crimson Cherry
WEC	-	-	Ebony Cherry
WHC	-	MHC	Honey Cherry
WOC	-	MOC	KoKo Cherry
WSC	-	-	Scotch Cherry
WAM	-	-	Alabaster Maple
WCM	-	-	Clear Maple
WWM	-	-	Wheat Maple
WEW	-	-	Executive Walnut
WRW	GRW	-	Gray Luster Walnut
WGW	-	MGW	Gunstock Walnut
WJW	-	-	Judicial Walnut
WNW	-	-	Natural Walnut
WTW	-	MTW	Studio Teak Walnut
WWP	-	MWL	Designer White

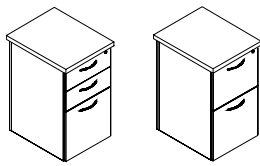
Edge Profile  
Option Not Available

**CUSHION**  
- Specify location, number of cushions and fabric grade.  
- Cushions sold individually w/a max width 35" (to match storage section depth) (See graded pricing)  
- BC16: Bench Cushion

**DRAWER**  
- P33: Wood Drawer Upgrade - \$40 per drawer  
- WPD3061: Full fill designer white - \$75 per pedestal

**4 SELECT HARDWARE**





**DOCKING DESK PEDESTAL WITH FINISHED BACK**

**STANDARD FEATURES**

- Anti-tilt safety feature
- Full extension drawers - locking
- Soft close suspension drawer(s)

**NOTES**

- All units are standard w/ flush ends

[CLICK HERE TO VIEW PRODUCT INDEX](#)

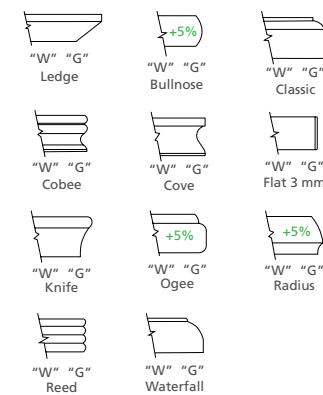
**1 SELECT A STYLE**

DIMENSIONS		STYLE NUMBER	LIST PRICE	STYLE NUMBER	LIST PRICE	STYLE NUMBER	LIST PRICE
W" x D" x H"	WGT	"W" Veneer Veneer Top Veneer Chassis		"G" HPL High Pressure Laminate Top Veneer Chassis		"M" TFL Thermally Fused Laminate Top Thermally Fused Laminate Chassis	
<b>Box/Box/File</b>							
16 x 24 x 29	70	CPC1624PD385W	1417	CPC1624PD385G	1417	CPC1624PD385M	985
<b>File/File</b>							
16 x 24 x 29	70	CPC1624PD386W	1417	CPC1624PD386G	1417	CPC1624PD386M	985

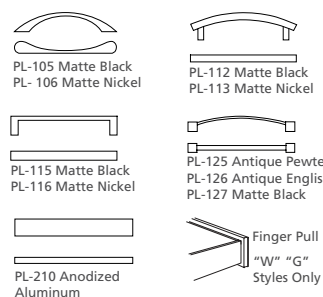
**2 SELECT A FINISH**

"W" Veneer	"G" HPL	"M" TFL	
WAC	GAC	-	Amber Cherry
WRC	-	-	Caramel Cherry
WIC	GIC	-	Crimson Cherry
WEC	-	-	Ebony Cherry
WHC	GHC	MHC	Honey Cherry
WOC	GOC	MOC	KoKo Cherry
WSC	-	-	Scotch Cherry
WAM	GAM	-	Alabaster Maple
WCM	GCM	-	Clear Maple
WWM	GWM	-	Wheat Maple
WEW	GEW	-	Executive Walnut
WRW	GRW	-	Gray Luster Walnut
WGW	-	MGW	Gunstock Walnut
WJW	-	-	Judicial Walnut
WNW	GNW	-	Natural Walnut
WTW	GTW	MTW	Studio Teak Walnut
WWP	GWL	MWL	Designer White

**3 SELECT AN EDGE**

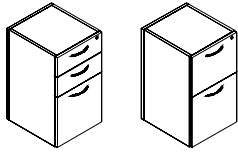


**4 SELECT HARDWARE**



**5 OPTIONS**

- DRAWER**
- P33: Wood Drawer Upgrade - \$40 per drawer
  - WPD3061: Full fill designer white - \$75 per pedestal



For use under 29"H work surfaces

**UNDERSURFACE PEDESTAL**

**STANDARD FEATURES**

- Anti-tilt safety feature
- Finished all sides and top - open plan
- Full extension drawers - locking
- Soft close suspension drawer(s)

[CLICK HERE TO VIEW PRODUCT INDEX](#)

**1 SELECT A STYLE**

DIMENSIONS		STYLE NUMBER	LIST PRICE	STYLE NUMBER	LIST PRICE	STYLE NUMBER	LIST PRICE
W" x D" x H"	WGT	"W" Veneer Top Veneer Chassis		"G" HPL High Pressure Laminate Top Veneer Chassis		"M" TFL Thermally Fused Laminate Top Thermally Fused Laminate Chassis	
<b>Box/Box/File</b>							
16 x 18 x 27	70	CPC1618PD440W	990	"G" option N/A		CPC1618PD440M	845
<b>File/File</b>							
16 x 18 x 27	70	CPC1618PD441W	990	"G" option N/A		CPC1618PD441M	845

**2 SELECT A FINISH**

"W" Veneer	"G" HPL	"M" TFL	
WAC	-	-	Amber Cherry
WRC	-	-	Caramel Cherry
WIC	-	-	Crimson Cherry
WEC	-	-	Ebony Cherry
WHC	-	MHC	Honey Cherry
WOC	-	MOC	KoKo Cherry
WSC	-	-	Scotch Cherry
WAM	-	-	Alabaster Maple
WCM	-	-	Clear Maple
WWM	-	-	Wheat Maple
WEW	-	-	Executive Walnut
WRW	GRW	-	Gray Luster Walnut
WGW	-	MGW	Gunstock Walnut
WJW	-	-	Judicial Walnut
WNW	-	-	Natural Walnut
WTW	-	MTW	Studio Teak Walnut
WWP	-	MWL	Designer White

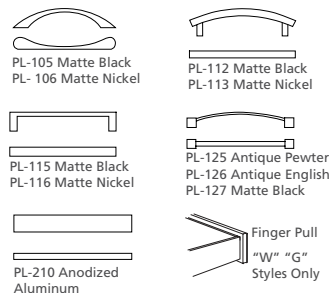
**3 SELECT AN EDGE**

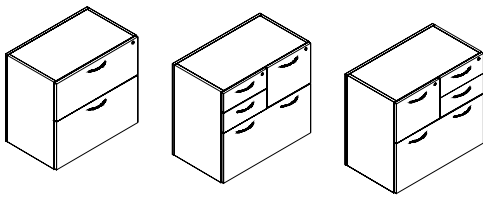
Edge Profile  
Option Not Available

**5 OPTIONS**

- DRAWER**
- P33: Wood Drawer Upgrade - \$40 per drawer
  - WPD3061: Full fill designer white - \$75 per pedestal

**4 SELECT HARDWARE**





For use under 29"H work surfaces

**UNDERSURFACE LATERAL FILE PEDESTALS**

**STANDARD FEATURES**

- Anti-tilt safety feature
- Legal/Letter filing
- Finished all sides and top - open plan
- Full extension drawers - locking
- Soft close suspension drawer(s)

[CLICK HERE TO VIEW PRODUCT INDEX](#)

**1 SELECT A STYLE**

DIMENSIONS		STYLE NUMBER	LIST PRICE	STYLE NUMBER	LIST PRICE	STYLE NUMBER	LIST PRICE
W" x D" x H"	WGT	"W" Veneer Veneer Top Veneer Chassis		"G" HPL High Pressure Laminate Top Veneer Chassis		"M" TFL Thermally Fused Laminate Top Thermally Fused Laminate Chassis	
<b>2 Drawer Lateral File Pedestal</b>							
29 x 18 x 27	135	CPC2918PD433W	1215	"G" option N/A		CPC2918PD433M	1055
<b>Box/Box/File - Lateral (Box/Box-Left)</b>							
31 x 18 x 27	145	CPC3118PD443W	1285	"G" option N/A		CPC3118PD443M	1115
<b>Box/Box/File-Lateral (Box/Box-Right)</b>							
31 x 18 x 27	145	CPC3118PD444W	1285	"G" Option N/A		CPC3118PD444M	1115

**2 SELECT A FINISH**

"W" Veneer	"G" HPL	"M" TFL	
WAC	-	-	Amber Cherry
WRC	-	-	Caramel Cherry
WIC	-	-	Crimson Cherry
WEC	-	-	Ebony Cherry
WHC	-	MHC	Honey Cherry
WOC	-	MOC	KoKo Cherry
WSC	-	-	Scotch Cherry
WAM	-	-	Alabaster Maple
WCM	-	-	Clear Maple
WWM	-	-	Wheat Maple
WEW	-	-	Executive Walnut
WRW	GRW	-	Gray Luster Walnut
WGW	-	MGW	Gunstock Walnut
WJW	-	-	Judicial Walnut
WNW	-	-	Natural Walnut
WTW	-	MTW	Studio Teak Walnut
WWP	-	MWL	Designer White

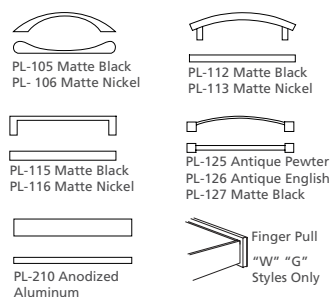
**3 SELECT AN EDGE**

Edge Profile Option Not Available

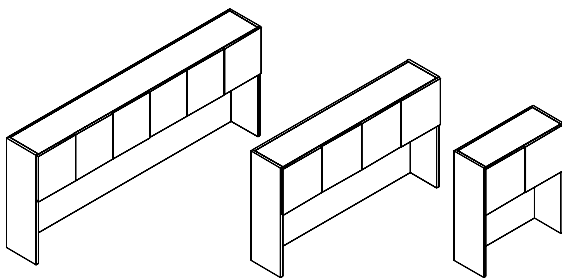
**5 OPTIONS**

**DRAWER**  
 - P33: Wood Drawer Upgrade - \$40 per drawer  
 - WPD3061: Full fill designer white - \$75 per pedestal

**4 SELECT HARDWARE**



SINGLE STORAGE OVERHEAD CONSOLE



14" D PANEL DOOR - 2/4/6 SECTION

STANDARD FEATURES

- Finished top
- Interior cabinet depth 12.5"
- Panel doors with concealed finger pull
- Tasklight grommet(s)

NOTES

- All units are standard w/ flush ends
- Unit has black back panel and is not designed for Open Plan use. Select OPB Option for Open Plan application

[CLICK HERE TO VIEW PRODUCT INDEX](#)

**1** SELECT A STYLE

DIMENSIONS		STYLE NUMBER	LIST PRICE	STYLE NUMBER	LIST PRICE	STYLE NUMBER	LIST PRICE
W" x D" x H"	WGT	"W" Veneer Top Veneer Chassis		"G" HPL High Pressure Laminate Top Veneer Chassis		"M" TFL Thermally Fused Laminate Top Thermally Fused Laminate Chassis	
<b>6 Door / 3 Section</b>							
105 x 14 x 42	375	CPC10542OH325W	3597	"G" Option N/A		"M" Option N/A	
99 x 14 x 42	345	CPC9942OH325W	3484	"G" Option N/A		"M" Option N/A	
93 x 14 x 42	315	CPC9342OH325W	2940	"G" Option N/A		CPC9342OH325M	2125
87 x 14 x 42	285	CPC8742OH325W	2776	"G" Option N/A		CPC8742OH325M	2010
<b>4 Door / 2 Section</b>							
83 x 14 x 42	275	CPC8342OH325W	2663	"G" Option N/A		CPC8342OH325M	1635
76 x 14 x 42	255	CPC7642OH325W	2464	"G" Option N/A		CPC7642OH325M	1570
70 x 14 x 42	240	CPC7042OH325W	2277	"G" Option N/A		CPC7042OH325M	1345
64 x 14 x 42	225	CPC6442OH325W	2255	"G" Option N/A		CPC6442OH325M	1285
58 x 14 x 42	210	CPC5842OH325W	2203	"G" Option N/A		CPC5842OH325M	1235
47 x 14 x 42	190	CPC4742OH325W	2147	"G" Option N/A		CPC4742OH325M	1125
<b>2 Door / 1 Section</b>							
35 x 14 x 42	120	CPC3542OH325W	1381	"G" option N/A		CPC3542OH325M	720
29 x 14 x 42	105	CPC2942OH325W	1356	"G" option N/A		CPC2942OH325M	685

**2** SELECT A FINISH

"W" Veneer	"G" HPL	"M" TFL	
WAC	-	-	Amber Cherry
WRC	-	-	Caramel Cherry
WIC	-	-	Crimson Cherry
WEC	-	-	Ebony Cherry
WHC	-	MHC	Honey Cherry
WOC	-	MOC	KoKo Cherry
WSC	-	-	Scotch Cherry
WAM	-	-	Alabaster Maple
WCM	-	-	Clear Maple
WWM	-	-	Wheat Maple
WEW	-	-	Executive Walnut
WRW	GRW	-	Gray Luster Walnut
WGW	-	MGW	Gunstock Walnut
WJW	-	-	Judicial Walnut
WNW	-	-	Natural Walnut
WTW	-	MTW	Studio Teak Walnut
WWP	-	MWL	Designer White

**3** SELECT AN EDGE

**5** OPTIONS

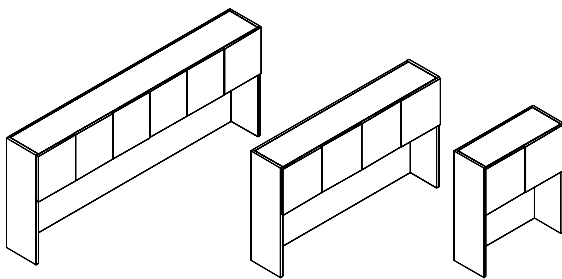
- DOOR**
- D2: Door Lock - \$95 per Door Set
  - D6: Delete doors - n/c
  - D9SC: Soft Close Door Hinges - \$15 per Door
  - WPD3061: Full fill designer white - \$75 per door
- GROMMETS (VERTICAL SURFACE)**
- Standard Location - \$45 ea.
  - Black Plastic Vertical Surface: TM50-C (Bottom Center)
  - Non-Standard Location - \$90 ea.
  - Black Plastic Vertical Surface: TM50-NS
- OPEN PLAN**
- OPB: "W" "G" Style - Modify Unit for Open Plan Application - \$295
  - OPB: "M" Style - Modify Unit for Open Plan Application - \$95
- TASK LIGHT**
- LT-LED24: 24" LED Tasklight - \$90
  - LT-LED48: 48" LED Tasklight - \$165
  - LT-LED60: 60" LED Tasklight - \$180
  - LC22: 20" LT-LED Tasklight Linking Cable - \$20

**4** SELECT HARDWARE



Optional Hardware See pg.16

SINGLE STORAGE OVERHEAD CONSOLE



Legal Depth

18" D PANEL DOOR - 2/4/6 SECTION

STANDARD FEATURES

- Finished top
- Interior cabinet depth 16"
- Panel doors with concealed finger pull

NOTES

- All units are standard w/ flush ends
- Unit has black back panel and is not designed for Open Plan use. Select OPB Option for Open Plan application

[CLICK HERE TO VIEW PRODUCT INDEX](#)

1 SELECT A STYLE

DIMENSIONS		STYLE NUMBER	LIST PRICE	STYLE NUMBER	LIST PRICE	STYLE NUMBER	LIST PRICE
W" x D" x H"	WGT	"W" Veneer Top Veneer Veneer Chassis		"G" HPL High Pressure Laminate Top Veneer Chassis		"M" TFL Thermally Fused Laminate Top Thermally Fused Laminate Chassis	
<b>6 Door / 3 Section</b>							
105 x 18 x 42	375	CPC10542OH641W	3957	"G" Option N/A		"M" Option N/A	
99 x 18 x 42	345	CPC9942OH641W	3832	"G" Option N/A		"M" Option N/A	
93 x 18 x 42	315	CPC9342OH641W	3234	"G" Option N/A		CPC9342OH641M	2338
87 x 18 x 42	285	CPC8742OH641W	3054	"G" Option N/A		CPC8742OH641M	2211
<b>4 Door / 2 Section</b>							
83 x 18 x 42	275	CPC8342OH641W	2929	"G" Option N/A		CPC8342OH641M	1799
76 x 18 x 42	255	CPC7642OH641W	2710	"G" Option N/A		CPC7642OH641M	1727
70 x 18 x 42	240	CPC7042OH641W	2505	"G" Option N/A		CPC7042OH641M	1480
64 x 18 x 42	225	CPC6442OH641W	2481	"G" Option N/A		CPC6442OH641M	1414
58 x 18 x 42	210	CPC5842OH641W	2423	"G" Option N/A		CPC5842OH641M	1359
47 x 18 x 42	190	CPC4742OH641W	2362	"G" Option N/A		CPC4742OH641M	1238
<b>2 Door / 1 Section</b>							
35 x 18 x 42	120	CPC3542OH641W	1519	"G" option N/A		CPC3542OH641M	792
29 x 18 x 42	105	CPC2942OH641W	1492	"G" option N/A		CPC2942OH641M	734

2 SELECT A FINISH

"W" Veneer	"G" HPL	"M" TFL	
WAC	-	-	Amber Cherry
WRC	-	-	Caramel Cherry
WIC	-	-	Crimson Cherry
WEC	-	-	Ebony Cherry
WHC	-	MHC	Honey Cherry
WOC	-	MOC	KoKo Cherry
WSC	-	-	Scotch Cherry
WAM	-	-	Alabaster Maple
WCM	-	-	Clear Maple
WWM	-	-	Wheat Maple
WEW	-	-	Executive Walnut
WRW	GRW	-	Gray Luster Walnut
WGW	-	MGW	Gunstock Walnut
WJW	-	-	Judicial Walnut
WNV	-	-	Natural Walnut
WTW	-	MTW	Studio Teak Walnut
WWP	-	MWL	Designer White

3 SELECT AN EDGE

5 OPTIONS

DOOR

- D2: Door Lock - \$95 per Door Set
- D6: Delete doors - n/c
- D9SC: Soft Close Door Hinges - \$15 per Door
- WPD3061: Full fill designer white - \$75 per door

GROMMETS (VERTICAL SURFACE)

- Standard Location - \$45 ea.
- Black Plastic Vertical Surface: TM50-C (Bottom Center)
- Non-Standard Location - \$90 ea.
- Black Plastic Vertical Surface: TM50-NS

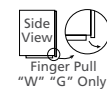
OPEN PLAN

- OPB: "W" "G" Style - Modify Unit for Open Plan Application - \$295
- OPB: "M" Style - Modify Unit for Open Plan Application - \$95

TASK LIGHT

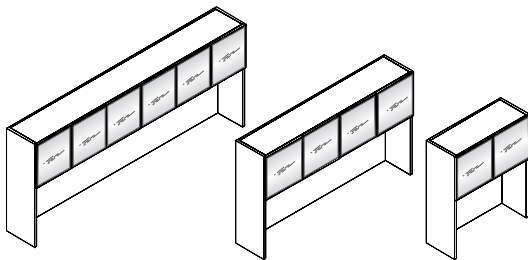
- LT-LED24: 24" LED Tasklight - \$90
- LT-LED48: 48" LED Tasklight - \$165
- LT-LED60: 60" LED Tasklight - \$180
- LC22: 20" LT-LED Tasklight Linking Cable - \$20

4 SELECT HARDWARE



Optional Hardware See pg.16

SINGLE STORAGE OVERHEAD CONSOLE



14" D SILVERLUMA FRAME DOORS / FROSTED INSERTS - 2/4/6 SECTION

STANDARD FEATURES

- Finished top
- Interior cabinet depth 12.5"
- SilverLuma frame doors with frosted inserts
- Tasklight grommet(s)

NOTES

- Unit has black back panel and is not designed for Open Plan use. Select OPB Option for Open Plan application

[CLICK HERE TO VIEW PRODUCT INDEX](#)

1 SELECT A STYLE

DIMENSIONS		STYLE NUMBER	LIST PRICE	STYLE NUMBER	LIST PRICE	STYLE NUMBER	LIST PRICE
W" x D" x H"	WGT	"W" Veneer Veneer Top Veneer Chassis		"G" HPL High Pressure Laminate Top Veneer Chassis		"M" TFL Thermally Fused Laminate Top Thermally Fused Laminate Chassis	
<b>6 Door / 3 Section</b>							
105 x 14 x 42	375	CPC10542OH321W	4277	"G" option N/A		"M" Option N/A	
99 x 14 x 42	345	CPC9942OH321W	4164	"G" option N/A		"M" Option N/A	
93 x 14 x 42	315	CPC9342OH321W	3620	"G" option N/A		CPC9342OH321M	2455
87 x 14 x 42	285	CPC8742OH321W	3456	"G" option N/A		CPC8742OH321M	2340
<b>4 Door / 2 Section</b>							
83 x 14 x 42	275	CPC8342OH321W	3116	"G" option N/A		CPC8342OH321M	1855
76 x 14 x 42	255	CPC7642OH321W	2917	"G" option N/A		CPC7642OH321M	1790
70 x 14 x 42	240	CPC7042OH321W	2730	"G" option N/A		CPC7042OH321M	1565
64 x 14 x 42	225	CPC6442OH321W	2708	"G" option N/A		CPC6442OH321M	1505
58 x 14 x 42	210	CPC5842OH321W	2657	"G" option N/A		CPC5842OH321M	1455
47 x 14 x 42	190	CPC4742OH321W	2600	"G" option N/A		CPC4742OH321M	1345
<b>2 Door / 1 Section</b>							
35 x 14 x 42	120	CPC3542OH321W	1607	"G" option N/A		CPC3542OH321M	835
29 x 14 x 42	105	CPC2942OH321W	1583	"G" option N/A		CPC2942OH321M	795

2 SELECT A FINISH

"W" Veneer	"G" HPL	"M" TFL	Finish
WAC	-	-	Amber Cherry
WRC	-	-	Caramel Cherry
WIC	-	-	Crimson Cherry
WEC	-	-	Ebony Cherry
WHC	-	MHC	Honey Cherry
WOC	-	MOC	KoKo Cherry
WSC	-	-	Scotch Cherry
WAM	-	-	Alabaster Maple
WCM	-	-	Clear Maple
WWM	-	-	Wheat Maple
WEW	-	-	Executive Walnut
WRW	GRW	-	Gray Luster Walnut
WGW	-	MGW	Gunstock Walnut
WJW	-	-	Judicial Walnut
WNW	-	-	Natural Walnut
WTW	-	MTW	Studio Teak Walnut
WWP	-	MWL	Designer White

3 SELECT AN EDGE

Edge Profile  
Option Not Available

5 OPTIONS

DOOR

- D2: Door Lock - \$95 per Door Set
- D9SC: Soft Close Door Hinges - \$15 per Door
- DWF1: 2" Wood frame replaces SilverLuma Frame - n/c ("W" only)
- DWF2: 2" Wood frame w/ pull replaces SilverLuma Frame - \$15 Per Door ("W" only)
- WPD3061: Full fill designer white - \$75 per door

GROMMETS (VERTICAL SURFACE)

- Standard Location - \$45 ea.
- Black Plastic Vertical Surface: TM50-C (Bottom Center)
- Non-Standard Location - \$90 ea.
- Black Plastic Vertical Surface: TM50-NS

INTERIOR CABINET LIGHT

- LEDPK starter kit includes Infeed, 1 Puck Interior Light and the ability to daisy chain up to 6 total Puck Lights
- LEDPK: LED Puck Starter Kit - \$295
- PK: 1 LED Interior Light - \$125 ea.

TASK LIGHT

- LT-LED24: 24" LED Tasklight - \$90
- LT-LED48: 48" LED Tasklight - \$165
- LT-LED60: 60" LED Tasklight - \$180
- LC22: 20" LT-LED Tasklight Linking Cable - \$20

OPEN PLAN

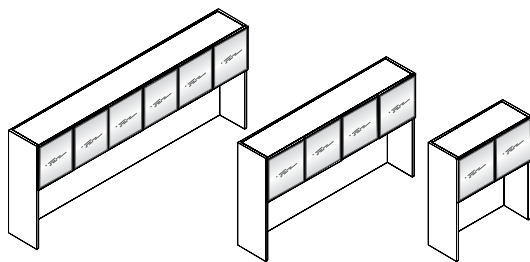
- OPB: "W" "G" Style - Modify Unit for Open Plan Application - \$295
- OPB: "M" Style - Modify Unit for Open Plan Application - \$95

4 SELECT HARDWARE

Hardware  
Option Not Available



SINGLE STORAGE OVERHEAD CONSOLE



Legal Depth

18" D SILVERLUMA FRAME DOORS / FROSTED INSERTS - 2/4/6 SECTION

STANDARD FEATURES

- Finished top
- Interior cabinet depth 16.5"
- SilverLuma frame doors with frosted inserts
- Tasklight grommet(s)

NOTES

- Unit has black back panel and is not designed for Open Plan use. Select OPB Option for Open Plan application

[CLICK HERE TO VIEW PRODUCT INDEX](#)

1 SELECT A STYLE

DIMENSIONS		STYLE NUMBER		LIST PRICE	STYLE NUMBER		LIST PRICE	STYLE NUMBER		LIST PRICE
W" x D" x H"	WGT	"W" Veneer	Veneer Top Veneer Chassis		"G" HPL	High Pressure Laminate Top Veneer Chassis		"M" TFL	Thermally Fused Laminate Top Thermally Fused Laminate Chassis	
<b>6 Door / 3 Section</b>										
105 x 18 x 42	375	CPC10542OH642W		4705	"G" option N/A			"M" Option N/A		
99 x 18 x 42	345	CPC9942OH642W		4580	"G" option N/A			"M" Option N/A		
93 x 18 x 42	315	CPC9342OH642W		3982	"G" option N/A			CPC9342OH642M		2701
87 x 18 x 42	285	CPC8742OH642W		3802	"G" option N/A			CPC8742OH642M		2574
<b>4 Door / 2 Section</b>										
83 x 18 x 42	275	CPC8342OH642W		3428	"G" option N/A			CPC8342OH642M		2041
76 x 18 x 42	255	CPC7642OH642W		3209	"G" option N/A			CPC7642OH642M		1969
70 x 18 x 42	240	CPC7042OH642W		3003	"G" option N/A			CPC7042OH642M		1722
64 x 18 x 42	225	CPC6442OH642W		2979	"G" option N/A			CPC6442OH642M		1656
58 x 18 x 42	210	CPC5842OH642W		2923	"G" option N/A			CPC5842OH642M		1601
47 x 18 x 42	190	CPC4742OH642W		2860	"G" option N/A			CPC4742OH642M		1810
<b>2 Door / 1 Section</b>										
35 x 18 x 42	120	CPC3542OH642W		1768	"G" option N/A			CPC3542OH642M		919
29 x 18 x 42	105	CPC2942OH642W		1741	"G" option N/A			CPC2942OH642M		875

2 SELECT A FINISH      3 SELECT AN EDGE      5 OPTIONS

"W" Veneer	"G" HPL	"M" TFL	
WAC	-	-	Amber Cherry
WRC	-	-	Caramel Cherry
WIC	-	-	Crimson Cherry
WEC	-	-	Ebony Cherry
WHC	-	MHC	Honey Cherry
WOC	-	MOC	KoKo Cherry
WSC	-	-	Scotch Cherry
WAM	-	-	Alabaster Maple
WCM	-	-	Clear Maple
WWM	-	-	Wheat Maple
WEW	-	-	Executive Walnut
WRW	GRW	-	Gray Luster Walnut
WGW	-	MGW	Gunstock Walnut
WJW	-	-	Judicial Walnut
WNW	-	-	Natural Walnut
WTW	-	MTW	Studio Teak Walnut
WWP	-	MWL	Designer White

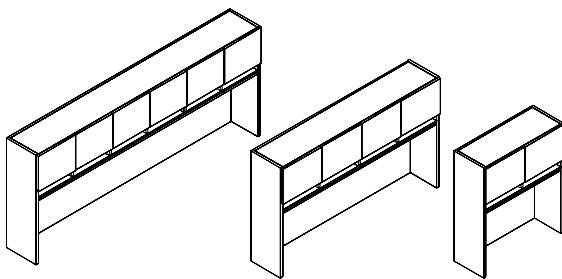
Edge Profile  
Option Not Available

4 SELECT HARDWARE

Hardware  
Option Not Available

- DOOR**
- D2: Door Lock - \$95 per Door Set
  - D9SC: Soft Close Door Hinges - \$15 per Door
  - DWF1: 2" Wood frame replaces SilverLuma Frame - n/c ("W" only)
  - DWF2: 2" Wood frame w/ pull replaces SilverLuma Frame - \$15 Per Door ("W" only)
  - WPD3061: Full fill designer white - \$75 per door
- GROMMETS (VERTICAL SURFACE)**
- Standard Location - \$45 ea.
- Black Plastic Vertical Surface: TM50-C (Bottom Center)
- Non-Standard Location - \$90 ea.
- Black Plastic Vertical Surface: TM50-NS
- INTERIOR CABINET LIGHT**
- LEDPK starter kit includes Infeed, 1 Puck Interior Light and the ability to daisy chain up to 6 total Puck Lights
- LEDPK: LED Puck Starter Kit - \$295
  - PK: 1 LED Interior Light - \$125 ea.
- TASK LIGHT**
- LT-LED24: 24" LED Tasklight - \$90
  - LT-LED48: 48" LED Tasklight - \$165
  - LT-LED60: 60" LED Tasklight - \$180
  - LC22: 20" LT-LED Tasklight Linking Cable - \$20
- OPEN PLAN**
- OPB: "W" "G" Style - Modify Unit for Open Plan Application - \$295
  - OPB: "M" Style - Modify Unit for Open Plan Application - \$95

SINGLE STORAGE OVERHEAD CONSOLE



14" D PANEL DOOR / PAPER ORGANIZER - 2/4/6 SECTION

STANDARD FEATURES

- Finished top
- Interior cabinet depth 12.5"
- Panel doors with concealed finger pull
- Tasklight grommet(s)

Plan application

NOTES

- Paper organizer reduces interior clearance to 12"H
- Unit has black back panel and is not designed for Open Plan use. Select OPB Option for Open

[CLICK HERE TO VIEW PRODUCT INDEX](#)

**1 SELECT A STYLE**

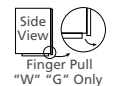
DIMENSIONS		STYLE NUMBER	LIST PRICE	STYLE NUMBER	LIST PRICE	STYLE NUMBER	LIST PRICE
W" x D" x H"	WGT	"W" Veneer Top Veneer Chassis		"G" HPL High Pressure Laminate Top Veneer Chassis		"M" TFL Thermally Fused Laminate Top Thermally Fused Laminate Chassis	
<b>6 Door / 3 Section</b>							
105 x 14 x 42	375	CPC10542OH326W	4107	"G" option N/A		"M" Option N/A	
99 x 14 x 42	345	CPC9942OH326W	3994	"G" option N/A		"M" Option N/A	
93 x 14 x 42	315	CPC9342OH326W	3450	"G" option N/A		CPC9342OH326M	2490
87 x 14 x 42	285	CPC8742OH326W	3286	"G" option N/A		CPC8742OH326M	2375
<b>4 Door / 2 Section</b>							
83 x 14 x 42	275	CPC8342OH326W	3003	"G" option N/A		CPC8342OH326M	1865
76 x 14 x 42	255	CPC7642OH326W	2804	"G" option N/A		CPC7642OH326M	1800
70 x 14 x 42	240	CPC7042OH326W	2617	"G" option N/A		CPC7042OH326M	1575
64 x 14 x 42	225	CPC6442OH326W	2595	"G" option N/A		CPC6442OH326M	1515
58 x 14 x 42	210	CPC5842OH326W	2543	"G" option N/A		CPC5842OH326M	1465
47 x 14 x 42	190	CPC4742OH326W	2487	"G" option N/A		CPC4742OH326M	1355
<b>2 Door / 1 Section</b>							
35 x 14 x 42	120	CPC3542OH326W	1550	"G" option N/A		CPC3542OH326M	835
29 x 14 x 42	105	CPC2942OH326W	1526	"G" option N/A		CPC2942OH326M	800

**2 SELECT A FINISH**      **3 SELECT AN EDGE**      **5 OPTIONS**

"W" Veneer	"G" HPL	"M" TFL	Finish
WAC	-	-	Amber Cherry
WRC	-	-	Caramel Cherry
WIC	-	-	Crimson Cherry
WEC	-	-	Ebony Cherry
WHC	-	MHC	Honey Cherry
WOC	-	MOC	KoKo Cherry
WSC	-	-	Scotch Cherry
WAM	-	-	Alabaster Maple
WCM	-	-	Clear Maple
WWM	-	-	Wheat Maple
WEW	-	-	Executive Walnut
WRW	GRW	-	Gray Luster Walnut
WGW	-	MGW	Gunstock Walnut
WJW	-	-	Judicial Walnut
WNW	-	-	Natural Walnut
WTW	-	MTW	Studio Teak Walnut
WWP	-	MWL	Designer White

Edge Profile  
Option Not Available

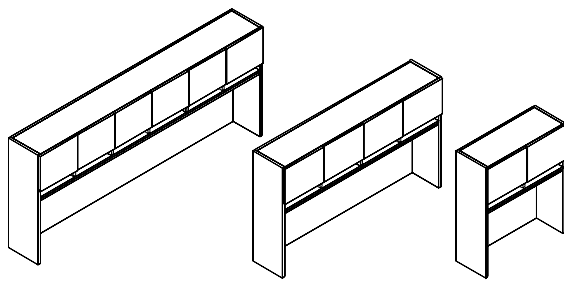
**4 SELECT HARDWARE**



Optional Hardware  
See pg.16

- DOOR**
- D2: Door Lock - \$95 per Door Set
  - D6: Delete doors - n/c
  - D9SC: Soft Close Door Hinges - \$15 per Door
  - WPD3061: Full fill designer white - \$75 per door
- GROMMETS (VERTICAL SURFACE)**
- Standard Location - \$45 ea.
  - Black Plastic Vertical Surface: TM50-C (Bottom Center)
  - Non-Standard Location - \$90 ea.
  - Black Plastic Vertical Surface: TM50-NS
- OPEN PLAN**
- OPB: "W" "G" Style - Modify Unit for Open Plan Application - \$295
  - OPB: "M" Style - Modify Unit for Open Plan Application - \$95
- TASK LIGHT**
- LT-LED24: 24" LED Tasklight - \$90
  - LT-LED48: 48" LED Tasklight - \$165
  - LT-LED60: 60" LED Tasklight - \$180
  - LC22: 20" LT-LED Tasklight Linking Cable - \$20

SINGLE STORAGE OVERHEAD CONSOLE



Legal Depth

18" D PANEL DOOR / PAPER ORGANIZER - 2/4/6 SECTION

STANDARD FEATURES

- Finished top
- Interior cabinet depth 16.5"
- Panel doors with concealed finger pull
- Tasklight grommet(s)

Plan application

NOTES

- Paper organizer reduces interior clearance to 12"H
- Unit has black back panel and is not designed for Open Plan use. Select OPB Option for Open

[CLICK HERE TO VIEW PRODUCT INDEX](#)

1 SELECT A STYLE

DIMENSIONS		STYLE NUMBER	LIST PRICE	STYLE NUMBER	LIST PRICE	STYLE NUMBER	LIST PRICE
W" x D" x H"	WGT	"W" Veneer Top Veneer Chassis		"G" HPL High Pressure Laminate Top Veneer Chassis		"M" TFL Thermally Fused Laminate Top Thermally Fused Laminate Chassis	
<b>6 Door / 3 Section</b>							
105 x 18 x 42	375	CPC10542OH643W	4518	"G" option N/A		"M" Option N/A	
99 x 18 x 42	345	CPC9942OH643W	4393	"G" option N/A		"M" Option N/A	
93 x 18 x 42	315	CPC9342OH643W	3795	"G" option N/A		CPC9342OH643M	2739
87 x 18 x 42	285	CPC8742OH643W	3615	"G" option N/A		CPC8742OH643M	2613
<b>4 Door / 2 Section</b>							
83 x 18 x 42	275	CPC8342OH643W	3303	"G" option N/A		CPC8342OH643M	2052
76 x 18 x 42	255	CPC7642OH643W	3084	"G" option N/A		CPC7642OH643M	1980
70 x 18 x 42	240	CPC7042OH643W	2879	"G" option N/A		CPC7042OH643M	1733
64 x 18 x 42	225	CPC6442OH643W	2855	"G" option N/A		CPC6442OH643M	1667
58 x 18 x 42	210	CPC5842OH643W	2797	"G" option N/A		CPC5842OH643M	1612
47 x 18 x 42	190	CPC4742OH643W	2736	"G" option N/A		CPC4742OH643M	1491
<b>2 Door / 1 Section</b>							
35 x 18 x 42	120	CPC3542OH643W	2705	"G" option N/A		CPC3542OH643M	919
29 x 18 x 42	105	CPC2942OH643W	1679	"G" option N/A		CPC2942OH643M	880

2 SELECT A FINISH

"W" Veneer	"G" HPL	"M" TFL	Finish
WAC	-	-	Amber Cherry
WRC	-	-	Caramel Cherry
WIC	-	-	Crimson Cherry
WEC	-	-	Ebony Cherry
WHC	-	MHC	Honey Cherry
WOC	-	MOC	KoKo Cherry
WSC	-	-	Scotch Cherry
WAM	-	-	Alabaster Maple
WCM	-	-	Clear Maple
WWM	-	-	Wheat Maple
WEW	-	-	Executive Walnut
WRW	GRW	-	Gray Luster Walnut
WGW	-	MGW	Gunstock Walnut
WJW	-	-	Judicial Walnut
WNW	-	-	Natural Walnut
WTW	-	MTW	Studio Teak Walnut
WWP	-	MWL	Designer White

3 SELECT AN EDGE

Edge Profile  
Option Not Available

5 OPTIONS

DOOR

- D2: Door Lock - \$95 per Door Set
- D6: Delete doors - n/c
- D9SC: Soft Close Door Hinges - \$15 per Door
- WPD3061: Full fill designer white - \$75 per door

GROMMETS (VERTICAL SURFACE)

- Standard Location - \$45 ea.
- Black Plastic Vertical Surface: TM50-C (Bottom Center)
- Non-Standard Location - \$90 ea.
- Black Plastic Vertical Surface: TM50-NS

OPEN PLAN

- OPB: "W" "G" Style - Modify Unit for Open Plan Application - \$295
- OPB: "M" Style - Modify Unit for Open Plan Application - \$95

TASK LIGHT

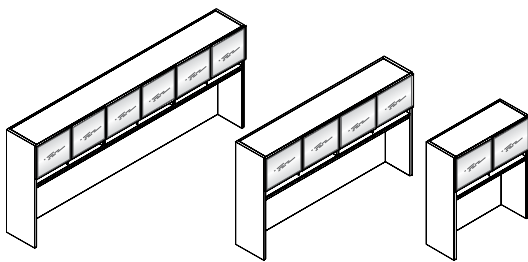
- LT-LED24: 24" LED Tasklight - \$90
- LT-LED48: 48" LED Tasklight - \$165
- LT-LED60: 60" LED Tasklight - \$180
- LC22: 20" LT-LED Tasklight Linking Cable - \$20

4 SELECT HARDWARE



Optional Hardware  
See pg.16

SINGLE STORAGE OVERHEAD CONSOLE



14" D SILVERLUMA FRAME DOORS / PAPER ORGANIZER - 2/4/6 SECTION

STANDARD FEATURES

- Finished top
- Interior cabinet depth 12.5"
- SilverLuma frame doors with frosted inserts
- Tasklight grommet(s)

Plan application

NOTES

- Paper organizer reduces interior clearance to 12"H
- Unit has black back panel and is not designed for Open Plan use. Select OPB Option for Open

[CLICK HERE TO VIEW PRODUCT INDEX](#)

1 SELECT A STYLE

DIMENSIONS		STYLE NUMBER	LIST PRICE	STYLE NUMBER	LIST PRICE	STYLE NUMBER	LIST PRICE
W" x D" x H"	WGT	"W" Veneer Veneer Top Veneer Chassis		"G" HPL High Pressure Laminate Top Veneer Chassis		"M" TFL Thermally Fused Laminate Top Thermally Fused Laminate Chassis	
<b>6 Door / 3 Section</b>							
105 x 14 x 42	375	CPC10542OH322W	4787	"G" option N/A		"M" Option N/A	
99 x 14 x 42	345	CPC9942OH322W	4674	"G" option N/A		"M" Option N/A	
93 x 14 x 42	315	CPC9342OH322W	4129	"G" option N/A		CPC9342OH322M	2820
87 x 14 x 42	285	CPC8742OH322W	3966	"G" option N/A		CPC8742OH322M	2705
<b>4 Door / 2 Section</b>							
83 x 14 x 42	275	CPC8342OH322W	3456	"G" option N/A		CPC8342OH322M	2085
76 x 14 x 42	255	CPC7642OH322W	3257	"G" option N/A		CPC7642OH322M	2020
70 x 14 x 42	240	CPC7042OH322W	3070	"G" option N/A		CPC7042OH322M	1790
64 x 14 x 42	225	CPC6442OH322W	3048	"G" option N/A		CPC6442OH322M	1735
58 x 14 x 42	210	CPC5842OH322W	2996	"G" option N/A		CPC5842OH322M	1685
47 x 14 x 42	190	CPC4742OH322W	2940	"G" option N/A		CPC4742OH322M	1575
<b>2 Door / 1 Section</b>							
35 x 14 x 42	120	CPC3542OH322W	1777	"G" option N/A		CPC3542OH322M	945
29 x 14 x 42	105	CPC2942OH322W	1752	"G" option N/A		CPC2942OH322M	910

2 SELECT A FINISH

"W" Veneer	"G" HPL	"M" TFL	Finish
WAC	-	-	Amber Cherry
WRC	-	-	Caramel Cherry
WIC	-	-	Crimson Cherry
WEC	-	-	Ebony Cherry
WHC	-	MHC	Honey Cherry
WOC	-	MOC	KoKo Cherry
WSC	-	-	Scotch Cherry
WAM	-	-	Alabaster Maple
WCM	-	-	Clear Maple
WWM	-	-	Wheat Maple
WEW	-	-	Executive Walnut
WRW	GRW	-	Gray Luster Walnut
WGW	-	MGW	Gunstock Walnut
WJW	-	-	Judicial Walnut
WNW	-	-	Natural Walnut
WTW	-	MTW	Studio Teak Walnut
WWP	-	MWL	Designer White

3 SELECT AN EDGE

Edge Profile  
Option Not Available

5 OPTIONS

DOOR

- D2: Door Lock - \$95 per Door Set
- D9SC: Soft Close Door Hinges - \$15 per Door
- DWF1: 2" Wood frame replaces SilverLuma Frame - n/c ("W" only)
- DWF2: 2" Wood frame w/ pull replaces SilverLuma Frame - \$15 Per Door ("W" only)
- WPD3061: Full fill designer white - \$75 per door

GROMMETS (VERTICAL SURFACE)

- Standard Location - \$45 ea.
- Black Plastic Vertical Surface: TM50-C (Bottom Center)
- Non-Standard Location - \$90 ea.
- Black Plastic Vertical Surface: TM50-NS

INTERIOR CABINET LIGHT

- LEDPK starter kit includes Infeed, 1 Puck Interior Light and the ability to daisy chain up to 6 total Puck Lights
- LEDPK: LED Puck Starter Kit - \$295
- PK: 1 LED Interior Light - \$125 ea.

TASK LIGHT

- LT-LED24: 24" LED Tasklight - \$90
- LT-LED48: 48" LED Tasklight - \$165
- LT-LED60: 60" LED Tasklight - \$180
- LC22: 20" LT-LED Tasklight Linking Cable - \$20

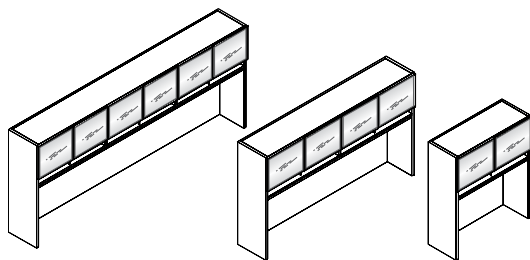
OPEN PLAN

- OPB: "W" "G" Style - Modify Unit for Open Plan Application - \$295
- OPB: "M" Style - Modify Unit for Open Plan Application - \$95

4 SELECT HARDWARE

Hardware  
Option Not Available

SINGLE STORAGE OVERHEAD CONSOLE



Legal Depth

18" D SILVERLUMA FRAME DOORS / PAPER ORGANIZER - 2/4/6 SECTION

STANDARD FEATURES

- Finished top
- Interior cabinet depth 16.5"
- SilverLuma frame doors with frosted inserts
- Tasklight grommet(s)

Plan application

NOTES

- Paper organizer reduces interior clearance to 12"H
- Unit has black back panel and is not designed for Open Plan use. Select OPB Option for Open

[CLICK HERE TO VIEW PRODUCT INDEX](#)

1 SELECT A STYLE

DIMENSIONS		STYLE NUMBER	LIST PRICE	STYLE NUMBER	LIST PRICE	STYLE NUMBER	LIST PRICE
W" x D" x H"	WGT	"W" Veneer Top Veneer Chassis		"G" HPL High Pressure Laminate Top Veneer Chassis		"M" TFL Thermally Fused Laminate Top Thermally Fused Laminate Chassis	
<b>6 Door / 3 Section</b>							
105 x 18 x 42	375	CPC10542OH644W	5266	"G" option N/A		"M" Option N/A	
99 x 18 x 42	345	CPC9942OH644W	5141	"G" option N/A		"M" Option N/A	
93 x 18 x 42	315	CPC9342OH644W	4542	"G" option N/A		CPC9342OH644M	3102
87 x 18 x 42	285	CPC8742OH644W	4363	"G" option N/A		CPC8742OH644M	2976
<b>4 Door / 2 Section</b>							
83 x 18 x 42	275	CPC8342OH644W	3802	"G" option N/A		CPC8342OH644M	2294
76 x 18 x 42	255	CPC7642OH644W	3583	"G" option N/A		CPC7642OH644M	2222
70 x 18 x 42	240	CPC7042OH644W	3377	"G" option N/A		CPC7042OH644M	1969
64 x 18 x 42	225	CPC6442OH644W	3353	"G" option N/A		CPC6442OH644M	1909
58 x 18 x 42	210	CPC5842OH644W	3296	"G" option N/A		CPC5842OH644M	1854
47 x 18 x 42	190	CPC4742OH644W	3234	"G" option N/A		CPC4742OH644M	1733
<b>2 Door / 1 Section</b>							
35 x 18 x 42	120	CPC3542OH644W	1955	"G" option N/A		CPC3542OH644M	1040
29 x 18 x 42	105	CPC2942OH644W	1927	"G" option N/A		CPC2942OH644M	1001

2 SELECT A FINISH

"W" Veneer	"G" HPL	"M" TFL	Finish
WAC	-	-	Amber Cherry
WRC	-	-	Caramel Cherry
WIC	-	-	Crimson Cherry
WEC	-	-	Ebony Cherry
WHC	-	MHC	Honey Cherry
WOC	-	MOC	KoKo Cherry
WSC	-	-	Scotch Cherry
WAM	-	-	Alabaster Maple
WCM	-	-	Clear Maple
WWM	-	-	Wheat Maple
WEW	-	-	Executive Walnut
WRW	GRW	-	Gray Luster Walnut
WGW	-	MGW	Gunstock Walnut
WJW	-	-	Judicial Walnut
WNV	-	-	Natural Walnut
WTW	-	MTW	Studio Teak Walnut
WWP	-	MWL	Designer White

3 SELECT AN EDGE

Edge Profile  
Option Not Available

5 OPTIONS

DOOR

- D2: Door Lock - \$95 per Door Set
- DWF1: 2" Wood frame replaces SilverLuma Frame - n/c ("W" only)
- DWF2: 2" Wood frame w/ pull replaces SilverLuma Frame - \$15 Per Door ("W" only)
- WPD3061: Full fill designer white - \$75 per door

GROMMETS (VERTICAL SURFACE)

- Standard Location - \$45 ea.
- Black Plastic Vertical Surface: TM50-C (Bottom Center)
- Non-Standard Location - \$90 ea.
- Black Plastic Vertical Surface: TM50-NS

INTERIOR CABINET LIGHT

- LEDPK starter kit includes Infeed, 1 Puck Interior Light and the ability to daisy chain up to 6 total Puck Lights
- LEDPK: LED Puck Starter Kit - \$295
- PK: 1 LED Interior Light - \$125 ea.

TASK LIGHT

- LT-LED24: 24" LED Tasklight - \$90
- LT-LED48: 48" LED Tasklight - \$165
- LT-LED60: 60" LED Tasklight - \$180
- LC22: 20" LT-LED Tasklight Linking Cable - \$20

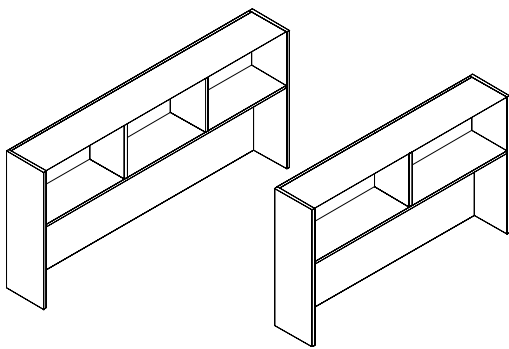
OPEN PLAN

- OPB: "W" "G" Style - Modify Unit for Open Plan Application - \$295
- OPB: "M" Style - Modify Unit for Open Plan Application - \$95

4 SELECT HARDWARE

Hardware  
Option Not Available

SINGLE STORAGE OVERHEAD CONSOLE



14" D OPEN STORAGE CONSOLE - 2/3 SECTION

STANDARD FEATURES

- Finished top
- Interior cabinet depth 14"

NOTES

- 2 section overhead available w/ 1 sliding door
- 3 Section Overhead Available w/ 1 or 2 Sliding Doors
- Unit has black back panel and is not designed for Open Plan use. Select OPB Option for Open Plan application

[CLICK HERE TO VIEW PRODUCT INDEX](#)

**1 SELECT A STYLE**

DIMENSIONS		STYLE NUMBER	LIST PRICE	STYLE NUMBER	LIST PRICE	STYLE NUMBER	LIST PRICE
W" x D" x H"	WGT	"W" Veneer Top Veneer Chassis		"G" High Pressure Laminate Top Veneer Chassis		"M" Thermally Fused Laminate Top Thermally Fused Laminate Chassis	
<b>3 Section</b>							
105 x 14 x 42	355	CPC10542OH346W	3257	"G" option N/A		"M" Option N/A	
99 x 14 x 42	335	CPC9942OH346W	3144	"G" option N/A		"M" Option N/A	
93 x 14 x 42	310	CPC9342OH346W	2600	"G" option N/A		CPC9342OH346M	1845
87 x 14 x 42	280	CPC8742OH346W	2437	"G" option N/A		CPC8742OH346M	1730
<b>2 Section</b>							
83 x 14 x 42	265	CPC8342OH346W	2379	"G" option N/A		CPC8342OH346M	1350
76 x 14 x 42	250	CPC7642OH346W	2237	"G" option N/A		CPC7642OH346M	1290
70 x 14 x 42	240	CPC7042OH346W	2050	"G" option N/A		CPC7042OH346M	1160
64 x 14 x 42	225	CPC6442OH346W	2028	"G" option N/A		CPC6442OH346M	1100
58 x 14 x 42	205	CPC5842OH346W	1977	"G" option N/A		CPC5842OH346M	1050

**2 SELECT A FINISH**

"W" Veneer	"G" HPL	"M" TFL	Finish
WAC	-	-	Amber Cherry
WRC	-	-	Caramel Cherry
WIC	-	-	Crimson Cherry
WEC	-	-	Ebony Cherry
WHC	-	MHC	Honey Cherry
WOC	-	MOC	KoKo Cherry
WSC	-	-	Scotch Cherry
WAM	-	-	Alabaster Maple
WCM	-	-	Clear Maple
WWM	-	-	Wheat Maple
WEW	-	-	Executive Walnut
WRW	GRW	-	Gray Luster Walnut
WGW	-	MGW	Gunstock Walnut
WJW	-	-	Judicial Walnut
WNV	-	-	Natural Walnut
WTW	-	MTW	Studio Teak Walnut
WWP	-	MWL	Designer White

**3 SELECT AN EDGE**

Edge Profile  
Option Not Available

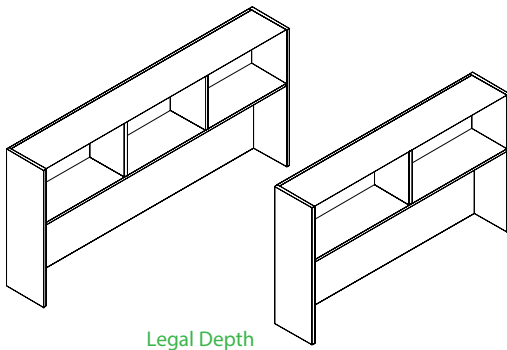
**4 SELECT HARDWARE**

Hardware  
Option Not Available

**5 OPTIONS**

- DOOR**
- SLD17WD: Panel Door - \$250 Per Door
  - SLD17LD: White Laminate Door - \$195 Per Door
  - SLD17FD: SilverLuma / Frost Door - \$350 Per Door
- INTERIOR CABINET LIGHT**
- LEDPK starter kit includes Infeed, 1 Puck Interior Light and the ability to daisy chain up to 6 total Puck Lights
- LEDPK: LED Puck Starter Kit - \$295
  - PK: 1 LED Interior Light - \$125 ea.
- TASK LIGHT**
- LT-LED24: 24" LED Tasklight - \$90
  - LT-LED48: 48" LED Tasklight - \$165
  - LT-LED60: 60" LED Tasklight - \$180
  - LC22: 20" LT-LED Tasklight Linking Cable - \$20
- OPEN PLAN**
- OPB: "W" "G" Style - Modify Unit for Open Plan Application - \$295
  - OPB: "M" Style - Modify Unit for Open Plan Application - \$95

SINGLE STORAGE OVERHEAD CONSOLE



18" D OPEN STORAGE CONSOLE - 2/3 SECTION

STANDARD FEATURES

- Finished top
- Interior cabinet depth 18"

Plan application

NOTES

- 2 section overhead available w/ 1 sliding door
- 3 Section Overhead Available w/ 1 or 2 Sliding Doors
- Tasklight Grommet(s)
- Unit has black back panel and is not designed for Open Plan use. Select OPB Option for Open

[CLICK HERE TO VIEW PRODUCT INDEX](#)

1 SELECT A STYLE

DIMENSIONS		STYLE NUMBER	LIST PRICE	STYLE NUMBER	LIST PRICE	STYLE NUMBER	LIST PRICE
W" x D" x H"	WGT	"W" Veneer Top Veneer Chassis		"G" High Pressure Laminate Top Veneer Chassis		"M" Thermally Fused Laminate Top Thermally Fused Laminate Chassis	
<b>3 Section</b>							
105 x 18 x 42	355	CPC10542OH645W	3583	"G" option N/A		"M" Option N/A	
99 x 18 x 42	335	CPC9942OH645W	3458	"G" option N/A		"M" Option N/A	
93 x 18 x 42	310	CPC9342OH645W	2860	"G" option N/A		CPC9342OH645M	2030
87 x 18 x 42	280	CPC8742OH645W	2681	"G" option N/A		CPC8742OH645M	1903
<b>2 Section</b>							
83 x 18 x 42	265	CPC8342OH645W	2617	"G" option N/A		CPC8342OH645M	1485
76 x 18 x 42	250	CPC7642OH645W	2461	"G" option N/A		CPC7642OH645M	1419
70 x 18 x 42	240	CPC7042OH645W	2255	"G" option N/A		CPC7042OH645M	1276
64 x 18 x 42	225	CPC6442OH645W	2231	"G" option N/A		CPC6442OH645M	1210
58 x 18 x 42	205	CPC5842OH645W	2175	"G" option N/A		CPC5842OH645M	1155

2 SELECT A FINISH

"W" Veneer	"G" HPL	"M" TFL	Finish
WAC	-	-	Amber Cherry
WRC	-	-	Caramel Cherry
WIC	-	-	Crimson Cherry
WEC	-	-	Ebony Cherry
WHC	-	MHC	Honey Cherry
WOC	-	MOC	KoKo Cherry
WSC	-	-	Scotch Cherry
WAM	-	-	Alabaster Maple
WCM	-	-	Clear Maple
WWM	-	-	Wheat Maple
WEW	-	-	Executive Walnut
WRW	GRW	-	Gray Luster Walnut
WGW	-	MGW	Gunstock Walnut
WJW	-	-	Judicial Walnut
WNW	-	-	Natural Walnut
WTW	-	MTW	Studio Teak Walnut
WWP	-	MWL	Designer White

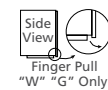
3 SELECT AN EDGE

Edge Profile  
Option Not Available

5 OPTIONS

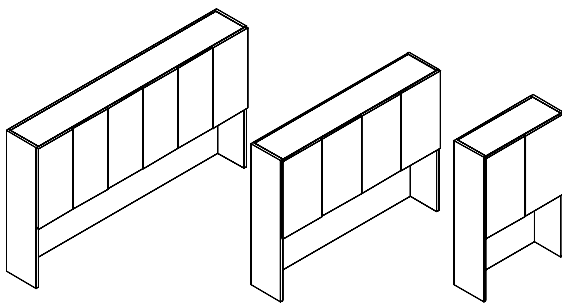
- DOOR**
- SLD17WD: Panel Door - \$250 Per Door
  - SLD17LD: White Laminate Door - \$195 Per Door
  - SLD17FD: SilverLuma / Frost Door - \$350 Per Door
- INTERIOR CABINET LIGHT**
- LEDPK starter kit includes Infeed, 1 Puck Interior Light and the ability to daisy chain up to 6 total Puck Lights
- LEDPK: LED Puck Starter Kit - \$295
  - PK: 1 LED Interior Light - \$125 ea.
- TASK LIGHT**
- LT-LED24: 24" LED Tasklight - \$90
  - LT-LED48: 48" LED Tasklight - \$165
  - LT-LED60: 60" LED Tasklight - \$180
  - LC22: 20" LT-LED Tasklight Linking Cable - \$20
- OPEN PLAN**
- OPB: "W" "G" Style - Modify Unit for Open Plan Application - \$295
  - OPB: "M" Style - Modify Unit for Open Plan Application - \$95

4 SELECT HARDWARE



Optional Hardware  
See pg.16

DOUBLE STORAGE OVERHEAD CONSOLE



14" D PANEL DOOR - 2/4/6 SECTION

STANDARD FEATURES

- Adjustable finished shelf behind each door section
- Black painted top
- Interior shelf depth 12"
- Panel doors with concealed finger pull
- Tasklight grommet(s)

for Open Plan use. Select OPB Option for Open Plan application

NOTES

- "M" Styles have matching "M" Finish Shelf
- Unit has black back panel and is not designed

[CLICK HERE TO VIEW PRODUCT INDEX](#)

**1 SELECT A STYLE**

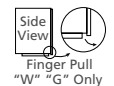
DIMENSIONS		STYLE NUMBER	LIST PRICE	STYLE NUMBER	LIST PRICE	STYLE NUMBER	LIST PRICE
W" x D" x H"	WGT	"W" Veneer Top Veneer Chassis		"G" High Pressure Laminate Top Veneer Chassis		"M" Thermally Fused Laminate Top Thermally Fused Laminate Chassis	
<b>6 Door / 3 Section</b>							
93 x 14 x 54	300	CPC9354OH325W	3620	"G" option N/A		CPC9354OH325M	2590
87 x 14 x 54	300	CPC8754OH325W	3394	"G" option N/A		CPC8754OH325M	2490
<b>4 Door / 2 Section</b>							
70 x 14 x 54	250	CPC7054OH325W	2861	"G" option N/A		CPC7054OH325M	1810
64 x 14 x 54	230	CPC6454OH325W	2776	"G" option N/A		CPC6454OH325M	1745
58 x 14 x 54	215	CPC5854OH325W	2719	"G" option N/A		CPC5854OH325M	1510
<b>2 Door / 1 Section</b>							
35 x 14 x 54	160	CPC3554OH325W	1720	"G" option N/A		CPC3554OH325M	985
29 x 14 x 54	150	CPC2954OH325W	1696	"G" option N/A		CPC2954OH325M	955

**2 SELECT A FINISH**      **3 SELECT AN EDGE**      **5 OPTIONS**

"W" Veneer	"G" HPL	"M" TFL	Finish
WAC	-	-	Amber Cherry
WRC	-	-	Caramel Cherry
WIC	-	-	Crimson Cherry
WEC	-	-	Ebony Cherry
WHC	-	MHC	Honey Cherry
WOC	-	MOC	KoKo Cherry
WSC	-	-	Scotch Cherry
WAM	-	-	Alabaster Maple
WCM	-	-	Clear Maple
WWM	-	-	Wheat Maple
WEW	-	-	Executive Walnut
WRW	GRW	-	Gray Luster Walnut
WGW	-	MGW	Gunstock Walnut
WJW	-	-	Judicial Walnut
WNV	-	-	Natural Walnut
WTW	-	MTW	Studio Teak Walnut
WWP	-	MWL	Designer White

Edge Profile  
Option Not Available

**4 SELECT HARDWARE**

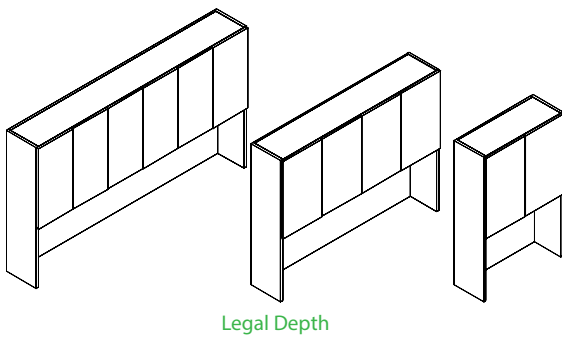


Optional Hardware  
See pg. 16

- ACCESSORIES**
- D2: Door Lock - \$95 per Door Set
  - D9SC: Soft Close Door Hinges - \$15 per Door
  - WPD3061: Full fill designer white - \$75 per door
- DOOR**
- D6: Delete doors - n/c
- GROMMETS (VERTICAL SURFACE)**
- Standard Location - \$45 ea.
  - Black Plastic Vertical Surface: TM50-C (Bottom Center)
  - Non-Standard Location - \$90 ea.
  - Black Plastic Vertical Surface: TM50-NS
- OPEN PLAN**
- OPB: "W" "G" Style - Modify Unit for Open Plan Application - \$295
  - OPB: "M" Style - Modify Unit for Open Plan Application - \$95
- SHELVES**
- S714F: Heavy Duty Lumber 1" Shelves - \$75 per Shelf ("M" Styles - n/a)
- TASK LIGHT**
- LT-LED24: 24" LED Tasklight - \$90
  - LT-LED48: 48" LED Tasklight - \$165
  - LT-LED60: 60" LED Tasklight - \$180
  - LC22: 20" LT-LED Tasklight Linking Cable - \$20



DOUBLE STORAGE OVERHEAD CONSOLE



18" D PANEL DOOR - 2/4/6 SECTION

STANDARD FEATURES

- Adjustable finished shelf behind each door section
- Black painted top
- Interior shelf depth 16"
- Panel doors with concealed finger pull
- Tasklight grommet(s)

for Open Plan use. Select OPB Option for Open Plan application

NOTES

- "M" Styles have matching "M" Finish Shelf
- Unit has black back panel and is not designed

[CLICK HERE TO VIEW PRODUCT INDEX](#)

1 SELECT A STYLE

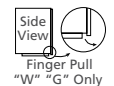
DIMENSIONS		STYLE NUMBER	LIST PRICE	STYLE NUMBER	LIST PRICE	STYLE NUMBER	LIST PRICE
W" x D" x H"	WGT	"W" Veneer Top Veneer Chassis		"G" High Pressure Laminate Top Veneer Chassis		"M" Thermally Fused Laminate Top Thermally Fused Laminate Chassis	
<b>6 Door / 3 Section</b>							
93 x 18 x 54	300	CPC9354OH641W	3982	"G" option N/A		CPC9354OH641M	2849
87 x 18 x 54	300	CPC8754OH641W	3733	"G" option N/A		CPC8754OH641M	2739
<b>4 Door / 2 Section</b>							
70 x 18 x 54	250	CPC7054OH641W	3147	"G" option N/A		CPC7054OH641M	1991
64 x 18 x 54	230	CPC6454OH641W	3054	"G" option N/A		CPC6454OH641M	1920
58 x 18 x 54	215	CPC5854OH641W	2991	"G" option N/A		CPC5854OH641M	1661
<b>2 Door / 1 Section</b>							
35 x 18 x 54	160	CPC3554OH641W	1892	"G" option N/A		CPC3554OH641M	1084
29 x 18 x 54	150	CPC2954OH641W	1866	"G" option N/A		CPC2954OH641M	1051

2 SELECT A FINISH      3 SELECT AN EDGE      5 OPTIONS

"W" Veneer	"G" HPL	"M" TFL	Finish
WAC	-	-	Amber Cherry
WRC	-	-	Caramel Cherry
WIC	-	-	Crimson Cherry
WEC	-	-	Ebony Cherry
WHC	-	MHC	Honey Cherry
WOC	-	MOC	KoKo Cherry
WSC	-	-	Scotch Cherry
WAM	-	-	Alabaster Maple
WCM	-	-	Clear Maple
WWM	-	-	Wheat Maple
WEW	-	-	Executive Walnut
WRW	GRW	-	Gray Luster Walnut
WGW	-	MGW	Gunstock Walnut
WJW	-	-	Judicial Walnut
WNV	-	-	Natural Walnut
WTW	-	MTW	Studio Teak Walnut
WWP	-	MWL	Designer White

Edge Profile  
Option Not Available

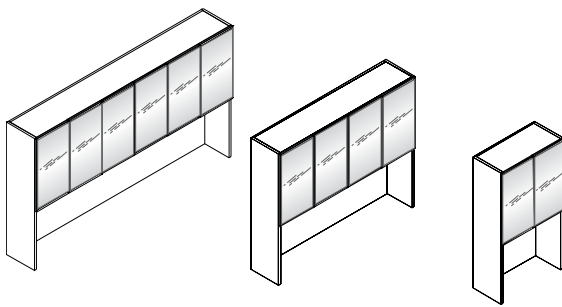
4 SELECT HARDWARE



Optional Hardware  
See pg. 16

- ACCESSORIES**
- D2: Door Lock - \$95 per Door Set
  - D9SC: Soft Close Door Hinges - \$15 per Door
  - WPD3061: Full fill designer white - \$75 per door
- DOOR**
- D6: Delete doors - n/c
- GROMMETS (VERTICAL SURFACE)**
- Standard Location - \$45 ea.
  - Black Plastic Vertical Surface: TM50-C (Bottom Center)
  - Non-Standard Location - \$90 ea.
  - Black Plastic Vertical Surface: TM50-NS
- OPEN PLAN**
- OPB: "W" "G" Style - Modify Unit for Open Plan Application - \$295
  - OPB: "M" Style - Modify Unit for Open Plan Application - \$95
- SHELVES**
- S714F: Heavy Duty Lumber 1" Shelves - \$75 per Shelf ("M" Styles - n/a)
- TASK LIGHT**
- LT-LED24: 24" LED Tasklight - \$90
  - LT-LED48: 48" LED Tasklight - \$165
  - LT-LED60: 60" LED Tasklight - \$180
  - LC22: 20" LT-LED Tasklight Linking Cable - \$20

DOUBLE STORAGE OVERHEAD CONSOLE



14" D SILVERLUMA FRAME DOORS / FROSTED INSERTS - 2/4/6 SECTION

STANDARD FEATURES

- Adjustable finished shelf behind each door section
- Black painted top
- Interior shelf depth 12"
- SilverLuma frame doors with frosted inserts
- Tasklight grommet(s)

for Open Plan use. Select OPB Option for Open Plan application

NOTES

- "M" Styles have matching "M" Finish Shelf
- Unit has black back panel and is not designed

[CLICK HERE TO VIEW PRODUCT INDEX](#)

1 SELECT A STYLE

DIMENSIONS		STYLE NUMBER	LIST PRICE	STYLE NUMBER	LIST PRICE	STYLE NUMBER	LIST PRICE
W" x D" x H"	WGT	"W" Veneer Top Veneer Chassis		"G" HPL High Pressure Laminate Top Veneer Chassis		"M" TFL Thermally Fused Laminate Top Thermally Fused Laminate Chassis	
<b>6 Door / 3 Section</b>							
93 x 14 x 54	300	CPC9354OH321W	4300	"G" option N/A		CPC9354OH321M	3140
87 x 14 x 54	300	CPC8754OH321W	4073	"G" option N/A		CPC8754OH321M	3037
<b>4 Door / 2 Section</b>							
70 x 14 x 54	250	CPC7054OH321W	3314	"G" option N/A		CPC7054OH321M	2175
64 x 14 x 54	230	CPC6454OH321W	3230	"G" option N/A		CPC6454OH321M	2115
58 x 14 x 54	215	CPC5854OH321W	3172	"G" option N/A		CPC5854OH321M	1875
<b>2 Door / 1 Section</b>							
35 x 14 x 54	160	CPC3554OH321W	1947	"G" option N/A		CPC3554OH321M	1170
29 x 14 x 54	150	CPC2954OH321W	1923	"G" option N/A		CPC2954OH321M	1135

2 SELECT A FINISH

"W" Veneer	"G" HPL	"M" TFL	Finish
WAC	-	-	Amber Cherry
WRC	-	-	Caramel Cherry
WIC	-	-	Crimson Cherry
WEC	-	-	Ebony Cherry
WHC	-	MHC	Honey Cherry
WOC	-	MOC	KoKo Cherry
WSC	-	-	Scotch Cherry
WAM	-	-	Alabaster Maple
WCM	-	-	Clear Maple
WWM	-	-	Wheat Maple
WEW	-	-	Executive Walnut
WRW	GRW	-	Gray Luster Walnut
WGW	-	MGW	Gunstock Walnut
WJW	-	-	Judicial Walnut
WNW	-	-	Natural Walnut
WTW	-	MTW	Studio Teak Walnut
WWP	-	MWL	Designer White

3 SELECT AN EDGE

Edge Profile  
Option Not Available

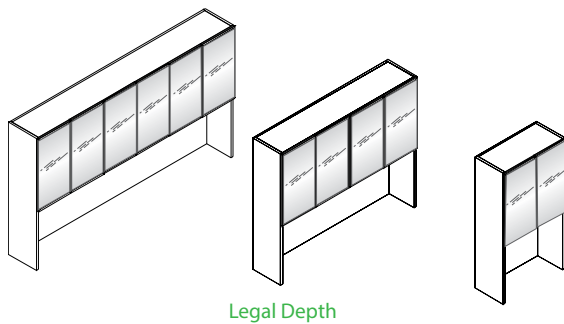
5 OPTIONS

- DOOR**
- D2: Door Lock - \$95 per Door Set
  - D9SC: Soft Close Door Hinges - \$15 per Door
  - DWF1: 2" Wood frame replaces SilverLuma Frame - n/c ("W" only)
  - DWF2: 2" Wood frame w/ pull replaces SilverLuma Frame - \$15 Per Door ("W" only)
  - WPD3061: Full fill designer white - \$75 per door
- GROMMETS (VERTICAL SURFACE)**
- Standard Location - \$45 ea.
- Black Plastic Vertical Surface: TM50-C (Bottom Center)
- Non-Standard Location - \$90 ea.
- Black Plastic Vertical Surface: TM50-NS
- INTERIOR CABINET LIGHT**
- LEDPK starter kit includes Infeed, 1 Puck Interior Light and the ability to daisy chain up to 6 total Puck Lights
- LEDPK: LED Puck Starter Kit - \$295
  - PK: 1 LED Interior Light - \$125 ea.
- TASK LIGHT**
- LT-LED24: 24" LED Tasklight - \$90
  - LT-LED48: 48" LED Tasklight - \$165
  - LT-LED60: 60" LED Tasklight - \$180
  - LC22: 20" LT-LED Tasklight Linking Cable - \$20
- OPEN PLAN**
- OPB: "W" "G" Style - Modify Unit for Open Plan Application - \$295
  - OPB: "M" Style - Modify Unit for Open Plan Application - \$95
- SHELVES**
- GS14F: Replace Standard Shelves with Glass Shelves - \$85 per Shelf
  - S714F: Heavy Duty Lumber 1" Shelves - \$75 per Shelf ("M" Styles - n/a)

4 SELECT HARDWARE

Hardware  
Option Not Available

**DOUBLE STORAGE OVERHEAD CONSOLE**



**18" D SILVERLUMA FRAME DOORS / FROSTED INSERTS - 2/4/6 SECTIONS**

**STANDARD FEATURES**

- Adjustable finished shelf behind each door section
- Black painted top
- Interior shelf depth 16"
- SilverLuma frame doors with frosted inserts
- Tasklight grommet(s)

for Open Plan use. Select OPB Option for Open Plan application

**NOTES**

- "M" Styles have matching "M" Finish Shelf
- Unit has black back panel and is not designed

[CLICK HERE TO VIEW PRODUCT INDEX](#)

**1 SELECT A STYLE**

DIMENSIONS		STYLE NUMBER	LIST PRICE	STYLE NUMBER	LIST PRICE	STYLE NUMBER	LIST PRICE
W" x D" x H"	WGT	"W" Veneer Top Veneer Chassis		"G" HPL High Pressure Laminate Top Veneer Chassis		"M" TFL Thermally Fused Laminate Top Thermally Fused Laminate Chassis	
<b>6 Door / 3 Section</b>							
93 x 18 x 54	300	CPC9354OH642W	4730	"G" option N/A		CPC9354OH642M	3454
87 x 18 x 54	300	CPC8754OH642W	4480	"G" option N/A		CPC8754OH642M	3341
<b>4 Door / 2 Section</b>							
70 x 18 x 54	250	CPC7054OH642W	3645	"G" option N/A		CPC7054OH642M	2393
64 x 18 x 54	230	CPC6454OH642W	3553	"G" option N/A		CPC6454OH642M	2327
58 x 18 x 54	215	CPC5854OH642W	3489	"G" option N/A		CPC5854OH642M	2063
<b>2 Door / 1 Section</b>							
35 x 18 x 54	160	CPC3554OH642W	2142	"G" option N/A		CPC3554OH642M	1287
29 x 18 x 54	150	CPC2954OH642W	2115	"G" option N/A		CPC2954OH642M	1249

**2 SELECT A FINISH**

"W" Veneer	"G" HPL	"M" TFL	Finish
WAC	-	-	Amber Cherry
WRC	-	-	Caramel Cherry
WIC	-	-	Crimson Cherry
WEC	-	-	Ebony Cherry
WHC	-	MHC	Honey Cherry
WOC	-	MOC	KoKo Cherry
WSC	-	-	Scotch Cherry
WAM	-	-	Alabaster Maple
WCM	-	-	Clear Maple
WWM	-	-	Wheat Maple
WEW	-	-	Executive Walnut
WRW	GRW	-	Gray Luster Walnut
WGW	-	MGW	Gunstock Walnut
WJW	-	-	Judicial Walnut
WNW	-	-	Natural Walnut
WTW	-	MTW	Studio Teak Walnut
WWP	-	MWL	Designer White

**3 SELECT AN EDGE**

Edge Profile Option Not Available

**5 OPTIONS**

**DOOR**

- D2: Door Lock - \$95 per Door Set
- D9SC: Soft Close Door Hinges - \$15 per Door
- DWF1: 2" Wood frame replaces SilverLuma Frame - n/c ("W" only)
- DWF2: 2" Wood frame w/ pull replaces SilverLuma Frame - \$15 Per Door ("W" only)
- WPD3061: Full fill designer white - \$75 per door

**GROMMETS (VERTICAL SURFACE)**

- Standard Location - \$45 ea.
- Black Plastic Vertical Surface: TM50-C (Bottom Center)
- Non-Standard Location - \$90 ea.
- Black Plastic Vertical Surface: TM50-NS

**INTERIOR CABINET LIGHT**

- LEDPK starter kit includes Infeed, 1 Puck Interior Light and the ability to daisy chain up to 6 total Puck Lights
- LEDPK: LED Puck Starter Kit - \$295
- PK: 1 LED Interior Light - \$125 ea.

**TASK LIGHT**

- LT-LED24: 24" LED Tasklight - \$90
- LT-LED48: 48" LED Tasklight - \$165
- LT-LED60: 60" LED Tasklight - \$180
- LC22: 20" LT-LED Tasklight Linking Cable - \$20

**OPEN PLAN**

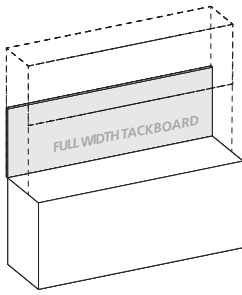
- OPB: "W" "G" Style - Modify Unit for Open Plan Application - \$295
- OPB: "M" Style - Modify Unit for Open Plan Application - \$95

**SHELVES**

- GS14F: Replace Standard Shelves with Glass Shelves - \$85 per Shelf
- S714F: Heavy Duty Lumber 1" Shelves - \$75 per Shelf ("M" Styles - n/a)

**4 SELECT HARDWARE**

Hardware Option Not Available

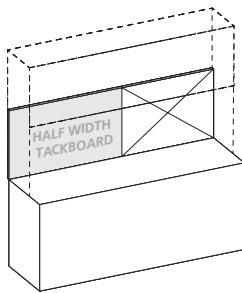


**FULL WIDTH TACKBOARDS**

**STANDARD FEATURES**

- Constructed of .5" thick fiberboard
- Fabric is precisely aligned and fitted to the tackboard
- Adhered to the rigid hardboard with staples

PRODUCT WIDTH	PANEL DIMENSION	SKU	COM	1	2	3	4	5	6	7	8	9	10	11/L1	12	13/L2
105"	103 x .5 x 21	FTOC10321	405	525	584	643	702	761	820	879	938	997	1056	1115	1174	1292
99"	97 x .5 x 21	FTOC9721	384	495	550	605	660	715	770	825	880	935	990	1045	1100	1210
93"	91 x .5 x 21	FTOC9121	364	465	516	567	618	669	720	771	822	873	924	975	1,026	1,128
87"	85 x .5 x 21	FTOC8521	344	435	483	531	579	627	675	723	771	819	867	915	963	1,059
83"	81 x .5 x 21	FTOC8121	323	415	461	507	553	599	645	691	737	783	829	875	921	1,013
76"	74 x .5 x 21	FTOC7421	297	380	423	466	509	552	595	638	681	724	767	810	853	939
70"	68 x .5 x 21	FTOC6821	271	350	390	430	470	510	550	590	630	670	710	750	790	870
64"	62 x .5 x 21	FTOC6221	246	320	356	392	428	464	500	536	572	608	644	680	716	788
58"	56 x .5 x 21	FTOC5621	225	290	322	354	386	418	450	482	514	546	578	610	642	706
47"	45 x .5 x 21	FTOC4521	180	235	262	289	316	343	370	397	424	451	478	505	532	586
35"	33 x .5 x 21	FTOC3321	136	175	195	215	235	255	275	295	315	335	355	375	395	435
29"	27 x .5 x 21	FTOC2721	108	145	162	179	196	213	230	247	264	281	298	315	332	366



OVERHEAD TACKBOARDS

**HALF WIDTH TACKBOARDS**

**STANDARD FEATURES**

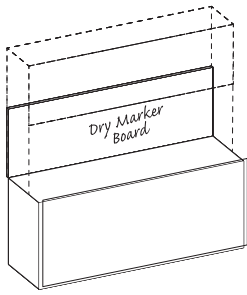
- Constructed of .5" thick fiberboard
- Fabric is precisely aligned and fitted to the tackboard
- Adhered to the rigid hardboard with staples

**Notes**

- Half width tackboards can be specified and combined with Marker Board, Slat Wall and Glass Board options. See "Half Width" items under product width.
- Must specify Right or left facing tackboard

PRODUCT WIDTH	PANEL DIMENSION	SKU	COM	1	2	3	4	5	6	7	8	9	10	11/L1	12	13/L2
105 Half Width	52.5 x .5 x 21	FTOC5221	203	263	292	322	351	381	410	440	469	499	528	558	587	646
99 Half Width	49.5 x .5 x 21	FTOC4921	192	248	275	303	330	358	385	413	440	468	495	523	550	605
93 Half Width	46.5 x .5 x 21	FTOC4621	182	233	258	284	309	335	360	386	411	437	462	488	513	564
87 Half Width	43.5 x .5 x 21	FTOC4321	172	218	242	266	290	314	338	362	386	410	434	458	482	530
83 Half Width	41.5 x .5 x 21	FTOC4121	162	208	231	254	277	300	323	346	369	392	415	438	461	507
76 Half Width	38 x .5 x 21	FTOC3821	149	190	212	233	255	276	298	319	341	362	384	405	427	470
70 Half Width	35 x .5 x 21	FTOC3521	136	175	195	215	235	255	275	295	315	335	355	375	395	435
64 Half Width	32 x .5 x 21	FTOC3221	123	160	178	196	214	232	250	268	286	304	322	340	358	394

**OVERHEAD DRY MARKER BOARD**

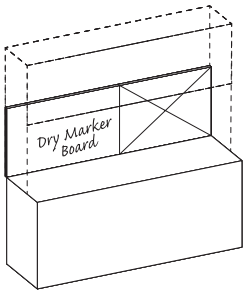


**FULL WIDTH DRY MARKER BOARD**

**STANDARD FEATURES**

- Dry marker panel has edge trim molding
- Standard magnetic surface

PRODUCT WIDTH	PANEL DIMENSION	SKU	LIST
105"	103 x .5 x 21	DMOC10321	1236
99"	97 x .5 x 21	DMOC9721	1164
93"	91 x .5 x 21	DMOC9121	1092
87"	85 x .5 x 21	DMOC8521	1020
83"	81 x .5 x 21	DMOC8121	972
76"	74 x .5 x 21	DMOC7421	888
70"	68 x .5 x 21	DMOC6821	816
64"	62 x .5 x 21	DMOC6221	744
58"	56 x .5 x 21	DMOC5621	672
47"	45 x .5 x 21	DMOC4521	564
35"	33 x .5 x 21	DMOC3321	420
29"	27 x .5 x 21	DMOC2721	324



**OVERHEAD DRY MARKER BOARD**

**HALF WIDTH DRY MARKER BOARD**

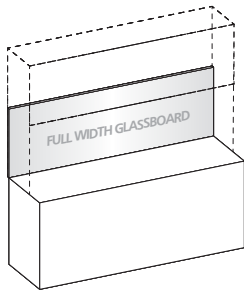
**STANDARD FEATURES**

- Dry marker panel has edge trim molding
- Standard magnetic surface

**Notes**

- Half width dry marker boards can be specified and combined with a Tackboard, Veneer Panel, Slat Wall or Glass Board. See "Half Width" items under product width.
- Must specify Right or left facing dry marker board

PRODUCT WIDTH	PANEL DIMENSION	SKU	LIST
105 Half Width	51.5 x .5 x 21	DMOC5121	630
99 Half Width	48.5 x .5 x 21	DMOC4821	594
93 Half Width	45.5 x .5 x 21	DMOC4521	534
87 Half Width	42.5 x .5 x 21	DMOC4221	498
83 Half Width	40.5 x .5 x 21	DMOC4021	474
76 Half Width	37 x .5 x 21	DMOC3721	432
70 Half Width	34 x .5 x 21	DMOC3421	420
64 Half Width	31 x .5 x 21	DMOC3121	360

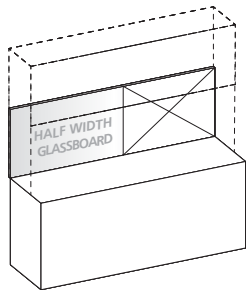


**FULL WIDTH GLASSBOARD**

**STANDARD FEATURES**

- 4 mm tempered glass
- Use glass cleaner or alcohol to clean
- Standard dry erase markers may be used
- Earth magnets are required to hold items securely in place
- Hung with Z-Strip mounting system

PRODUCT WIDTH	PANEL DIMENSION	SKU	LIST
105"	103 x .5 x 21	GBOC10321	2570
99"	97 x .5 x 21	GBOC9721	2430
93"	91 x .5 x 21	GBOC9121	2290
87"	85 x .5 x 21	GBOC8521	2150
83"	81 x .5 x 21	GBOC8121	2056
76"	74 x .5 x 21	GBOC7421	1893
70"	68 x .5 x 21	GBOC6821	1752
64"	62 x .5 x 21	GBOC6221	1612
58"	56 x .5 x 21	GBOC5621	1472
47"	45 x .5 x 21	GBOC4521	1215
35"	33 x .5 x 21	GBOC3321	935
29"	27 x .5 x 21	GBOC2721	794



OVERHEAD GLASSBOARD

**HALF WIDTH GLASSBOARD**

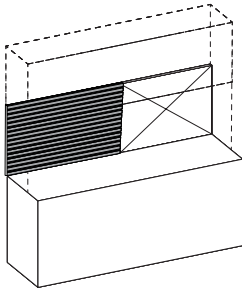
**STANDARD FEATURES**

- 4 mm tempered glass
- Use glass cleaner or alcohol to clean
- Standard dry erase markers may be used
- Earth magnets are required to hold items securely in place
- Hung with Z-Strip mounting system

**Notes**

- Half width glassboards can be specified and combined with a Tackboard, Veneer panel, Marker Board or Slat Wall. See "Half Width" items under product width.
- Must specify Right or left facing glassboard

PRODUCT WIDTH	PANEL DIMENSION	SKU	LIST
105 Half Width	51.5 x .5 x 21	GBOC5121	1343
99 Half Width	48.5 x .5 x 21	GBOC4821	1273
93 Half Width	45.5 x .5 x 21	GBOC4521	1203
87 Half Width	42.5 x .5 x 21	GBOC4221	1133
83 Half Width	40.5 x .5 x 21	GBOC4021	1086
76 Half Width	37 x .5 x 21	GBOC3721	947
70 Half Width	34 x .5 x 21	GBOC3421	935
64 Half Width	31 x .5 x 21	GBOC3121	864



**HALF WIDTH SLAT WALL**

**STANDARD FEATURES**

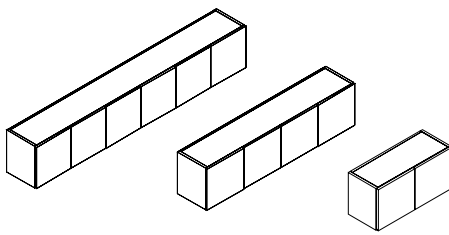
- Available in silver or black
- For use on 42"/43" height consoles
- Specify Left or Right Position

**Notes**

- Half width slat walls can be specified and combined with a Tackboard, Veneer panel, Marker Board or Glassboard. See "Half Width" items under product width.
- Must specify Right or left facing slat wall

PRODUCT WIDTH	PANEL DIMENSION	SKU	LIST
105 Half Width	52.5 x .5 x 21	SWOC5221	525
99 Half Width	49.5 x .5 x 21	SWOC4921	495
93 Half Width	44.5 x .5 x 21	SWOC4421	445
87 Half Width	41.5 x .5 x 21	SWOC4121	415
83 Half Width	39.5 x .5 x 21	SWOC3921	395
76 Half Width	36 x .5 x 21	SWOC3621	360
70 Half Width	33 x .5 x 21	SWOC3321	330
64 Half Width	30 x .5 x 21	SWOC3021	300

SINGLE HEIGHT WALL HUNG OVERHEADS



14" D PANEL DOORS - 1/2/3 SECTION

STANDARD FEATURES

- Doors fully matched set
- Finished top
- Interior cabinet depth 12.5"
- Mounting wall rail included
- Panel doors with concealed finger pull
- Tasklight Concealment Apron Rail

from possible falling cabinets. The factory assumes no liability for damage or injury from the following: installation into non-load bearing walls. Improper fasteners used in installation. Overloading of cabinets resulting in failures of wall and surrounding structures, fasteners, or cabinet construction. Misuse of cabinets for intended purposes.

NOTES

- All units are standard w/ flush ends
- Proper installation is critical to ensure safety

[CLICK HERE TO VIEW PRODUCT INDEX](#)

**1 SELECT A STYLE**

DIMENSIONS		STYLE NUMBER	LIST PRICE	STYLE NUMBER	LIST PRICE	STYLE NUMBER	LIST PRICE
W" x D" x H"	WGT	"W" Veneer Veneer Top Veneer Chassis		"G" HPL High Pressure Laminate Top Veneer Chassis		"M" TFL Thermally Fused Laminate Top Thermally Fused Laminate Chassis	
<b>6 Door / 3 Section</b>							
105 x 14 x 18	275	CPC10518WH330W	3150	"G" option N/A		"M" Option N/A	
99 x 14 x 18	255	CPC9918WH330W	3035	"G" option N/A		"M" Option N/A	
93 x 14 x 18	240	CPC9318WH330W	2975	"G" option N/A		CPC9318WH330M	2095
87 x 14 x 18	225	CPC8718WH330W	2860	"G" option N/A		CPC8718WH330M	1980
<b>4 Door / 2 Section</b>							
83 x 14 x 18	210	CPC8318WH330W	2795	"G" option N/A		CPC8318WH330M	1560
76 x 14 x 18	195	CPC7618WH330W	2745	"G" option N/A		CPC7618WH330M	1445
70 x 14 x 18	180	CPC7018WH330W	2295	"G" option N/A		CPC7018WH330M	1335
64 x 14 x 18	160	CPC6418WH330W	2260	"G" option N/A		CPC6418WH330M	1295
58 x 14 x 18	135	CPC5818WH330W	2225	"G" option N/A		CPC5818WH330M	1255
47 x 14 x 18	125	CPC4718WH330W	1700	"G" option N/A		CPC4718WH330M	1195
<b>2 Door / 1 Section</b>							
35 x 14 x 18	75	CPC3518WH330W	1275	"G" option N/A		CPC3518WH330M	850
29 x 14 x 18	65	CPC2918WH330W	1255	"G" option N/A		CPC2918WH330M	815

**2 SELECT A FINISH**      **3 SELECT AN EDGE**      **5 OPTIONS**

"W" Veneer	"G" HPL	"M" TFL	Finish
WAC	-	-	Amber Cherry
WRC	-	-	Caramel Cherry
WIC	-	-	Crimson Cherry
WEC	-	-	Ebony Cherry
WHC	-	MHC	Honey Cherry
WOC	-	MOC	KoKo Cherry
WSC	-	-	Scotch Cherry
WAM	-	-	Alabaster Maple
WCM	-	-	Clear Maple
WWM	-	-	Wheat Maple
WEW	-	-	Executive Walnut
WRW	GRW	-	Gray Luster Walnut
WGW	-	MGW	Gunstock Walnut
WJW	-	-	Judicial Walnut
WNW	-	-	Natural Walnut
WTW	-	MTW	Studio Teak Walnut
WWP	-	MWL	Designer White

Edge Profile  
Option Not Available

**4 SELECT HARDWARE**

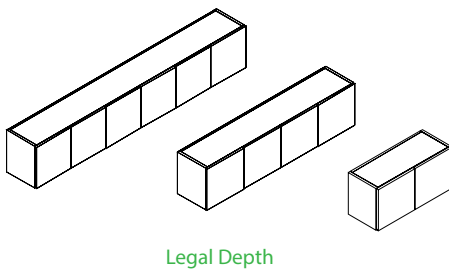


Optional Hardware  
See pg. 16

- DOOR**
- D2: Door Lock - \$95 per Door Set
  - D9SC: Soft Close Door Hinges - \$15 per Door
  - WPD3061: Full fill designer white - \$75 per door
- TASK LIGHT**
- LT-LED24: 24" LED Tasklight - \$90
  - LT-LED48: 48" LED Tasklight - \$165
  - LT-LED60: 60" LED Tasklight - \$180
  - LC22:20" LT-LED Tasklight Linking Cable - \$20
  - WAR-D: Delete Tasklight Concealment Apron Rail - Deduct \$125



SINGLE HEIGHT WALL HUNG OVERHEADS



Legal Depth

18" D PANEL DOORS - 1/2/3 SECTION

STANDARD FEATURES

- Doors fully matched set
- Finished top
- Interior cabinet depth 16.5"
- Mounting wall rail included
- Panel doors with concealed finger pull
- Tasklight Concealment Apron Rail

from possible falling cabinets. The factory assumes no liability for damage or injury from the following: installation into non-load bearing walls. Improper fasteners used in installation. Overloading of cabinets resulting in failures of wall and surrounding structures, fasteners, or cabinet construction. Misuse of cabinets for intended purposes.

NOTES

- All units are standard w/ flush ends
- Proper installation is critical to ensure safety

[CLICK HERE TO VIEW PRODUCT INDEX](#)

**1 SELECT A STYLE**

DIMENSIONS		STYLE NUMBER	LIST PRICE	STYLE NUMBER	LIST PRICE	STYLE NUMBER	LIST PRICE
W" x D" x H"	WGT	"W" Veneer Veneer Top Veneer Chassis		"G" HPL High Pressure Laminate Top Veneer Chassis		"M" TFL Thermally Fused Laminate Top Thermally Fused Laminate Chassis	
<b>6 Door / 3 Section</b>							
105 x 18 x 18	275	CPC10518WH653W	3428	"G" option N/A		"M" Option N/A	
99 x 18 x 18	255	CPC9918WH653W	4421	"G" option N/A		"M" Option N/A	
93 x 18 x 18	240	CPC9318WH653W	3255	"G" option N/A		CPC9318WH653M	2287
87 x 18 x 18	225	CPC8718WH653W	3129	"G" option N/A		CPC8718WH653M	2161
<b>4 Door / 2 Section</b>							
83 x 18 x 18	210	CPC8318WH653W	3057	"G" option N/A		CPC8318WH653M	1699
76 x 18 x 18	195	CPC7618WH653W	3002	"G" option N/A		CPC7618WH653M	1572
70 x 18 x 18	180	CPC7018WH653W	2507	"G" option N/A		CPC7018WH653M	1451
64 x 18 x 18	160	CPC6418WH653W	2469	"G" option N/A		CPC6418WH653M	1407
58 x 18 x 18	135	CPC5818WH653W	2430	"G" option N/A		CPC5818WH653M	1363
47 x 18 x 18	125	CPC4718WH653W	1853	"G" option N/A		CPC4718WH653M	1297
<b>2 Door / 1 Section</b>							
35 x 18 x 18	75	CPC3518WH653W	1385	"G" option N/A		CPC3518WH653M	918
29 x 18 x 18	65	CPC2918WH653W	1363	"G" option N/A		CPC2918WH653M	879

**2 SELECT A FINISH**      **3 SELECT AN EDGE**      **5 OPTIONS**

"W" Veneer	"G" HPL	"M" TFL	Finish
WAC	-	-	Amber Cherry
WRC	-	-	Caramel Cherry
WIC	-	-	Crimson Cherry
WEC	-	-	Ebony Cherry
WHC	-	MHC	Honey Cherry
WOC	-	MOC	KoKo Cherry
WSC	-	-	Scotch Cherry
WAM	-	-	Alabaster Maple
WCM	-	-	Clear Maple
WWM	-	-	Wheat Maple
WEW	-	-	Executive Walnut
WRW	GRW	-	Gray Luster Walnut
WGW	-	MGW	Gunstock Walnut
WJW	-	-	Judicial Walnut
WNW	-	-	Natural Walnut
WTW	-	MTW	Studio Teak Walnut
WWP	-	MWL	Designer White

Edge Profile  
Option Not Available

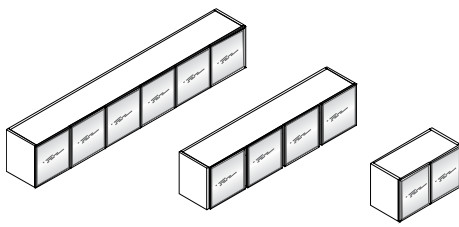
**4 SELECT HARDWARE**



Optional Hardware  
See pg. 16

- DOOR**
- D2: Door Lock - \$95 per Door Set
  - D9SC: Soft Close Door Hinges - \$15 per Door
  - WPD3061: Full fill designer white - \$75 per door
- TASK LIGHT**
- LT-LED24: 24" LED Tasklight - \$90
  - LT-LED48: 48" LED Tasklight - \$165
  - LT-LED60: 60" LED Tasklight - \$180
  - LC22:20" LT-LED Tasklight Linking Cable - \$20
  - WAR-D: Delete Tasklight Concealment Apron Rail - Deduct \$125

SINGLE HEIGHT WALL HUNG OVERHEADS



14" D SILVERLUMA FRAME / FROSTED DOORS - 1/2/3 SECTION

STANDARD FEATURES

- Finished top
- Interior cabinet depth 12.5"
- Mounting wall rail included
- Tasklight Concealment Apron Rail

from The following: installation into non-load bearing walls. Improper fasteners used in installation. Overloading of cabinets resulting in failures of wall and surrounding structures, fasteners, or cabinet construction. Misuse of cabinets for intended purposes.

NOTES

- All units are standard w/ flush ends
- Proper installation is critical to ensure safety from possible falling cabinets. The factory assumes no liability for damage or injury

[CLICK HERE TO VIEW PRODUCT INDEX](#)

1 SELECT A STYLE

DIMENSIONS		STYLE NUMBER	LIST PRICE	STYLE NUMBER	LIST PRICE	STYLE NUMBER	LIST PRICE
W" x D" x H"	WGT	"W" Veneer Top Veneer Chassis		"G" HPL High Pressure Laminate Top Veneer Chassis		"M" TFL Thermally Fused Laminate Top Thermally Fused Laminate Chassis	
<b>6 Door / 3 Section</b>							
105 x 14 x 18	275	CPC10518WH331W	3625	"G" option N/A		"M" Option N/A	
99 x 14 x 18	255	CPC9918WH331W	3455	"G" option N/A		"M" Option N/A	
93 x 14 x 18	240	CPC9318WH331W	3365	"G" option N/A		CPC9318WH331M	2460
87 x 14 x 18	225	CPC8718WH331W	3300	"G" option N/A		CPC8718WH331M	2345
<b>4 Door / 2 Section</b>							
83 x 14 x 18	210	CPC8318WH331W	3230	"G" option N/A		CPC8318WH331M	1805
76 x 14 x 18	195	CPC7618WH331W	3185	"G" option N/A		CPC7618WH331M	1690
70 x 14 x 18	180	CPC7018WH331W	2660	"G" option N/A		CPC7018WH331M	1575
64 x 14 x 18	160	CPC6418WH331W	2575	"G" option N/A		CPC6418WH331M	1535
58 x 14 x 18	135	CPC5818WH331W	2495	"G" option N/A		CPC5818WH331M	1495
47 x 14 x 18	125	CPC4718WH331W	1908	"G" option N/A		CPC4718WH331M	1440
<b>2 Door / 1 Section</b>							
35 x 14 x 18	75	CPC3518WH331W	1455	"G" option N/A		CPC3518WH331M	950
29 x 14 x 18	65	CPC2918WH331W	1390	"G" option N/A		CPC2918WH331M	915

2 SELECT A FINISH      3 SELECT AN EDGE      5 OPTIONS

"W" Veneer	"G" HPL	"M" TFL	
WAC	-	-	Amber Cherry
WRC	-	-	Caramel Cherry
WIC	-	-	Crimson Cherry
WEC	-	-	Ebony Cherry
WHC	-	MHC	Honey Cherry
WOC	-	MOC	KoKo Cherry
WSC	-	-	Scotch Cherry
WAM	-	-	Alabaster Maple
WCM	-	-	Clear Maple
WWM	-	-	Wheat Maple
WEW	-	-	Executive Walnut
WRW	GRW	-	Gray Luster Walnut
WGW	-	MGW	Gunstock Walnut
WJW	-	-	Judicial Walnut
WNW	-	-	Natural Walnut
WTW	-	MTW	Studio Teak Walnut
WWP	-	MWL	Designer White

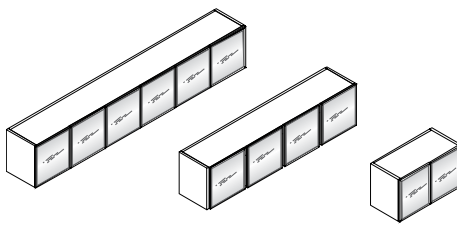
Edge Profile  
Option Not Available

4 SELECT HARDWARE

Hardware  
Option Not Available

- DOOR**
- D2: Door Lock - \$95 per Door Set
  - D9SC: Soft Close Door Hinges - \$15 per Door
  - DWF1: 2" Wood frame replaces SilverLuma Frame - n/c ("W" only)
  - DWF2: 2" Wood frame w/ pull replaces SilverLuma Frame - \$15 Per Door ("W" only)
  - WPD3061: Full fill designer white - \$75 per door
- INTERIOR CABINET LIGHT**
- LEDPK starter kit includes Infeed, 1 Puck Interior Light and the ability to daisy chain up to 6 total Puck Lights
- LEDPK: LED Puck Starter Kit - \$295
  - PK: 1 LED Interior Light - \$125 ea.
- TASK LIGHT**
- LT-LED24: 24" LED Tasklight - \$90
  - LT-LED48: 48" LED Tasklight - \$165
  - LT-LED60: 60" LED Tasklight - \$180
  - LC22:20" LT-LED Tasklight Linking Cable - \$20
  - WAR-D: Delete Tasklight Concealment Apron Rail - Deduct \$125

SINGLE HEIGHT WALL HUNG OVERHEADS



Legal Depth

18" D SILVERLUMA FRAME / FROSTED DOORS- 1/2/3 SECTION

STANDARD FEATURES

- Finished top
- Interior cabinet depth 16.5"
- Mounting wall rail included
- Tasklight Concealment Apron Rail

from The following: installation into non-load bearing walls. Improper fasteners used in installation. Overloading of cabinets resulting in failures of wall and surrounding structures, fasteners, or cabinet construction. Misuse of cabinets for intended purposes.

NOTES

- All units are standard w/ flush ends
- Proper installation is critical to ensure safety from possible falling cabinets. The factory assumes no liability for damage or injury

[CLICK HERE TO VIEW PRODUCT INDEX](#)

1 SELECT A STYLE

DIMENSIONS		STYLE NUMBER	LIST PRICE	STYLE NUMBER	LIST PRICE	STYLE NUMBER	LIST PRICE
W" x D" x H"	WGT	"W" Veneer Top Veneer Chassis		"G" HPL High Pressure Laminate Top Veneer Chassis		"M" TFL Thermally Fused Laminate Top Thermally Fused Laminate Chassis	
<b>6 Door / 3 Section</b>							
105 x 18 x 18	275	CPC10518WH654W	3970	"G" option N/A		"M" Option N/A	
99 x 18 x 18	255	CPC9918WH654W	3783	"G" option N/A		"M" Option N/A	
93 x 18 x 18	240	CPC9318WH654W	3684	"G" option N/A		CPC9318WH654M	2689
87 x 18 x 18	225	CPC8718WH654W	3613	"G" option N/A		CPC8718WH654M	2562
<b>4 Door / 2 Section</b>							
83 x 18 x 18	210	CPC8318WH654W	3536	"G" option N/A		CPC8318WH654M	1968
76 x 18 x 18	195	CPC7618WH654W	3486	"G" option N/A		CPC7618WH654M	1842
70 x 18 x 18	180	CPC7018WH654W	3911	"G" option N/A		CPC7018WH654M	1715
64 x 18 x 18	160	CPC6418WH654W	2815	"G" option N/A		CPC6418WH654M	1671
58 x 18 x 18	135	CPC5818WH654W	2727	"G" option N/A		CPC5818WH654M	1627
47 x 18 x 18	125	CPC4718WH654W	2081	"G" option N/A		CPC4718WH654M	1567
<b>2 Door / 1 Section</b>							
35 x 18 x 18	75	CPC3518WH654W	1583	"G" option N/A		CPC3518WH654M	1028
29 x 18 x 18	65	CPC2918WH654W	1512	"G" option N/A		CPC2918WH654M	989

2 SELECT A FINISH

"W" Veneer	"G" HPL	"M" TFL	Finish
WAC	-	-	Amber Cherry
WRC	-	-	Caramel Cherry
WIC	-	-	Crimson Cherry
WEC	-	-	Ebony Cherry
WHC	-	MHC	Honey Cherry
WOC	-	MOC	KoKo Cherry
WSC	-	-	Scotch Cherry
WAM	-	-	Alabaster Maple
WCM	-	-	Clear Maple
WWM	-	-	Wheat Maple
WEW	-	-	Executive Walnut
WRW	GRW	-	Gray Luster Walnut
WGW	-	MGW	Gunstock Walnut
WJW	-	-	Judicial Walnut
WNW	-	-	Natural Walnut
WTW	-	MTW	Studio Teak Walnut
WWP	-	MWL	Designer White

3 SELECT AN EDGE

Edge Profile
Option Not Available

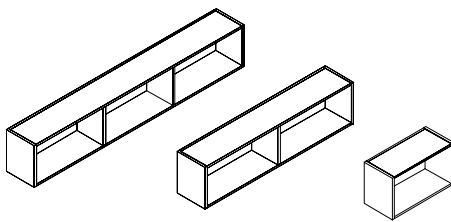
4 SELECT HARDWARE

Hardware
Option Not Available

5 OPTIONS

- DOOR**
- D2: Door Lock - \$95 per Door Set
  - D9SC: Soft Close Door Hinges - \$15 per Door
  - DWF1: 2" Wood frame replaces SilverLuma Frame - n/c ("W" only)
  - DWF2: 2" Wood frame w/ pull replaces SilverLuma Frame - \$15 Per Door ("W" only)
  - WPD3061: Full fill designer white - \$75 per door
- INTERIOR CABINET LIGHT**
- LEDPK starter kit includes Infeed, 1 Puck Interior Light and the ability to daisy chain up to 6 total Puck Lights
- LEDPK: LED Puck Starter Kit - \$295
  - PK: 1 LED Interior Light - \$125 ea.
- TASK LIGHT**
- LT-LED24: 24" LED Tasklight - \$90
  - LT-LED48: 48" LED Tasklight - \$165
  - LT-LED60: 60" LED Tasklight - \$180
  - LC22:20" LT-LED Tasklight Linking Cable - \$20
  - WAR-D: Delete Tasklight Concealment Apron Rail - Deduct \$125

SINGLE HEIGHT WALL HUNG OVERHEADS



14" D OPEN STORAGE CABINET - 1/2/3 SECTION

STANDARD FEATURES

- Finished top
- Interior cabinet depth 13.25"
- Mounting wall rail included
- Tasklight Concealment Apron Rail

- Proper installation is critical to ensure safety from possible falling cabinets. The factory assumes no liability for damage or injury from The following: installation into non-load bearing walls. Improper fasteners used in installation. Overloading of cabinets resulting in failures of wall and surrounding structures, fasteners, or cabinet construction. Misuse of cabinets for intended purposes.

NOTES

- 3 Section Overhead Available w/ 1 or 2 Sliding Doors
- 2 Section available w/ 1 sliding door
- All units are standard w/ flush ends

[CLICK HERE TO VIEW PRODUCT INDEX](#)

**1 SELECT A STYLE**

DIMENSIONS		STYLE NUMBER	LIST PRICE	STYLE NUMBER	LIST PRICE	STYLE NUMBER	LIST PRICE
W" x D" x H"	WGT	"W" Veneer Veneer Top Veneer Chassis		"G" HPL High Pressure Laminate Top Veneer Chassis		"M" TFL Thermally Fused Laminate Top Thermally Fused Laminate Chassis	
<b>3 Section</b>							
105 x 14 x 18	260	CPC10518WH332W	2895	"G" option N/A		"M" Option N/A	
99 x 14 x 18	240	CPC9918WH332W	2775	"G" option N/A		"M" Option N/A	
93 x 14 x 18	225	CPC9318WH332W	2740	"G" option N/A		CPC9318WH332M	1775
87 x 14 x 18	210	CPC8718WH332W	2715	"G" option N/A		CPC8718WH332M	1665
83 x 14 x 18	200	CPC8318WH332W	2690	"G" option N/A		CPC8318WH332M	1250
76 x 14 x 18	185	CPC7618WH332W	2660	"G" option N/A		CPC7618WH332M	1185
<b>2 Section</b>							
70 x 14 x 18	170	CPC7018WH332W	2175	"G" option N/A		CPC7018WH332M	1120
64 x 14 x 18	150	CPC6418WH332W	2140	"G" option N/A		CPC6418WH332M	1085
58 x 14 x 18	125	CPC5818WH332W	2110	"G" option N/A		CPC5818WH332M	1045
47 x 14 x 18	115	CPC4718WH332W	1575	"G" option N/A		CPC4718WH332M	985
<b>1 Section</b>							
35 x 14 x 18	60	CPC3518WH332W	1185	"G" option N/A		CPC3518WH332M	735
29 x 14 x 18	50	CPC2918WH332W	1170	"G" option N/A		CPC2918WH332M	700

**2 SELECT A FINISH**      **3 SELECT AN EDGE**      **5 OPTIONS**

"W" Veneer	"G" HPL	"M" TFL	Finish
WAC	-	-	Amber Cherry
WRC	-	-	Caramel Cherry
WIC	-	-	Crimson Cherry
WEC	-	-	Ebony Cherry
WHC	-	MHC	Honey Cherry
WOC	-	MOC	KoKo Cherry
WSC	-	-	Scotch Cherry
WAM	-	-	Alabaster Maple
WCM	-	-	Clear Maple
WWM	-	-	Wheat Maple
WEW	-	-	Executive Walnut
WRW	GRW	-	Gray Luster Walnut
WGW	-	MGW	Gunstock Walnut
WJW	-	-	Judicial Walnut
WNV	-	-	Natural Walnut
WTW	-	MTW	Studio Teak Walnut
WWP	-	MWL	Designer White

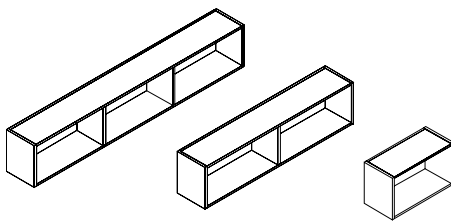
Edge Profile  
Option Not Available

**4 SELECT HARDWARE**

Hardware  
Option Not Available

- DOOR**  
Not available in 29" and 35"  
- SLD17WD: Panel Door - \$250 Per Door  
- SLD17LD: White Laminate Door - \$195 Per Door  
- SLD17FD: SilverLuma / Frost Door - \$350 Per Door
- INTERIOR CABINET LIGHT**  
LEDPK starter kit includes Infeed, 1 Puck Interior Light and the ability to daisy chain up to 6 total Puck Lights  
- LEDPK: LED Puck Starter Kit - \$295  
- PK: 1 LED Interior Light - \$125 ea.
- TASK LIGHT**  
- LT-LED24: 24" LED Tasklight - \$90  
- LT-LED48: 48" LED Tasklight - \$165  
- LT-LED60: 60" LED Tasklight - \$180  
- LC22:20" LT-LED Tasklight Linking Cable - \$20  
- WAR-D: Delete Tasklight Concealment Apron Rail - Deduct \$125

SINGLE HEIGHT WALL HUNG OVERHEADS



Legal Depth

18" D OPEN STORAGE CABINET -1/2/3 SECTION

STANDARD FEATURES

- Finished top
- Interior cabinet depth 16.5"
- Mounting wall rail included
- Tasklight Concealment Apron Rail

- Proper installation is critical to ensure safety from possible falling cabinets. The factory assumes no liability for damage or injury from The following: installation into non-load bearing walls. Improper fasteners used in installation. Overloading of cabinets resulting in failures of wall and surrounding structures, fasteners, or cabinet construction. Misuse of cabinets for intended purposes.

NOTES

- 3 Section Overhead Available w/ 1 or 2 Sliding Doors
- 2 Section available w/ 1 sliding door
- All units are standard w/ flush ends

[CLICK HERE TO VIEW PRODUCT INDEX](#)

**1 SELECT A STYLE**

DIMENSIONS		STYLE NUMBER	LIST PRICE	STYLE NUMBER	LIST PRICE	STYLE NUMBER	LIST PRICE
W" x D" x H"	WGT	"W" Veneer Veneer Top Veneer Chassis		"G" HPL High Pressure Laminate Top Veneer Chassis		"M" TFL Thermally Fused Laminate Top Thermally Fused Laminate Chassis	
<b>3 Section</b>							
105 x 18 x 18	260	CPC10518WH655W	3167	"G" option N/A		"M" Option N/A	
99 x 18 x 18	240	CPC9918WH655W	3035	"G" option N/A		"M" Option N/A	
93 x 18 x 18	225	CPC9318WH655W	2997	"G" option N/A		CPC9318WH655M	1935
87 x 18 x 18	210	CPC8718WH655W	2969	"G" option N/A		CPC8718WH655M	1814
83 x 18 x 18	200	CPC8318WH655W	2942	"G" option N/A		CPC8318WH655M	1658
76 x 18 x 18	185	CPC7618WH655W	2909	"G" option N/A		CPC7618WH655M	1286
<b>2 Section</b>							
70 x 18 x 18	170	CPC7018WH655W	2375	"G" option N/A		CPC7018WH655M	1215
64 x 18 x 18	150	CPC6418WH655W	2337	"G" option N/A		CPC6418WH655M	1176
58 x 18 x 18	125	CPC5818WH655W	2304	"G" option N/A		CPC5818WH655M	1132
47 x 18 x 18	115	CPC4718WH655W	2715	"G" option N/A		CPC4718WH655M	1066
<b>1 Section</b>							
35 x 18 x 18	60	CPC3518WH655W	1286	"G" option N/A		CPC3518WH655M	791
29 x 18 x 18	50	CPC2918WH655W	1270	"G" option N/A		CPC2918WH655M	753

**2 SELECT A FINISH**      **3 SELECT AN EDGE**      **5 OPTIONS**

"W" Veneer	"G" HPL	"M" TFL	Finish
WAC	-	-	Amber Cherry
WRC	-	-	Caramel Cherry
WIC	-	-	Crimson Cherry
WEC	-	-	Ebony Cherry
WHC	-	MHC	Honey Cherry
WOC	-	MOC	KoKo Cherry
WSC	-	-	Scotch Cherry
WAM	-	-	Alabaster Maple
WCM	-	-	Clear Maple
WWM	-	-	Wheat Maple
WEW	-	-	Executive Walnut
WRW	GRW	-	Gray Luster Walnut
WGW	-	MGW	Gunstock Walnut
WJW	-	-	Judicial Walnut
WNV	-	-	Natural Walnut
WTW	-	MTW	Studio Teak Walnut
WWP	-	MWL	Designer White

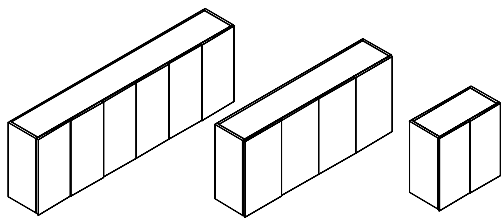
Edge Profile  
Option Not Available

**4 SELECT HARDWARE**

Hardware  
Option Not Available

- DOOR**  
Not available in 29" and 35"  
- SLD17WD: Panel Door - \$250 Per Door  
- SLD17LD: White Laminate Door - \$195 Per Door  
- SLD17FD: SilverLuma / Frost Door - \$350 Per Door
- INTERIOR CABINET LIGHT**  
LEDPK starter kit includes Infeed, 1 Puck Interior Light and the ability to daisy chain up to 6 total Puck Lights  
- LEDPK: LED Puck Starter Kit - \$295  
- PK: 1 LED Interior Light - \$125 ea.
- TASK LIGHT**  
- LT-LED24: 24" LED Tasklight - \$90  
- LT-LED48: 48" LED Tasklight - \$165  
- LT-LED60: 60" LED Tasklight - \$180  
- LC22:20" LT-LED Tasklight Linking Cable - \$20  
- WAR-D: Delete Tasklight Concealment Apron Rail - Deduct \$125

DOUBLE HEIGHT WALL HUNG OVERHEADS



14" D PANEL DOORS - 2/4/6 SECTION

STANDARD FEATURES

- Adjustable finished shelf behind each door section
- Black painted top
- Doors fully matched set
- Interior shelf depth 12"
- Mounting wall rail included
- Tasklight Concealment Apron Rail

- Proper installation is critical to ensure safety from possible falling cabinets. The factory assumes no liability for damage or injury from The following: installation into non-load bearing walls. Improper fasteners used in installation. Overloading of cabinets resulting in failures of wall and surrounding structures, fasteners, or cabinet construction. Misuse of cabinets for intended purposes.

NOTES

- "M" Styles have matching "M" Finish Shelf

[CLICK HERE TO VIEW PRODUCT INDEX](#)

1 SELECT A STYLE

DIMENSIONS		STYLE NUMBER	LIST PRICE	STYLE NUMBER	LIST PRICE	STYLE NUMBER	LIST PRICE
W" x D" x H"	WGT	"W" Veneer Top Veneer Chassis		"G" High Pressure Laminate Top HPL Veneer Chassis		"M" Thermally Fused Laminate Top TFL Thermally Fused Laminate Chassis	
<b>6 Door / 3 Section</b>							
93 x 14 x 29	265	CPC9329WH330W	3460	"G" option N/A		CPC9329WH330M	2575
87 x 14 x 29	220	CPC8729WH330W	3405	"G" option N/A		CPC8729WH330M	2460
<b>4 Door / 2 Section</b>							
70 x 14 x 29	220	CPC7029WH330W	2830	"G" option N/A		CPC7029WH330M	1725
64 x 14 x 29	200	CPC6429WH330W	2805	"G" option N/A		CPC6429WH330M	1690
58 x 14 x 29	180	CPC5829WH330W	2750	"G" option N/A		CPC5829WH330M	1620
<b>2 Door / 1 Section</b>							
35 x 14 x 29	85	CPC3529WH330W	1485	"G" option N/A		CPC3529WH330M	1160
29 x 14 x 29	75	CPC2929WH330W	1450	"G" option N/A		CPC2929WH330M	1125

2 SELECT A FINISH

"W" Veneer	"G" HPL	"M" TFL	Finish
WAC	-	-	Amber Cherry
WRC	-	-	Caramel Cherry
WIC	-	-	Crimson Cherry
WEC	-	-	Ebony Cherry
WHC	-	MHC	Honey Cherry
WOC	-	MOC	KoKo Cherry
WSC	-	-	Scotch Cherry
WAM	-	-	Alabaster Maple
WCM	-	-	Clear Maple
WWM	-	-	Wheat Maple
WEW	-	-	Executive Walnut
WRW	GRW	-	Gray Luster Walnut
WGW	-	MGW	Gunstock Walnut
WJW	-	-	Judicial Walnut
WNW	-	-	Natural Walnut
WTW	-	MTW	Studio Teak Walnut
WWP	-	MWL	Designer White

3 SELECT AN EDGE

Edge Profile  
Option Not Available

5 OPTIONS

DOOR

- D2: Door Lock - \$95 per Door Set
- D9SC: Soft Close Door Hinges - \$15 per Door
- WPD3061: Full fill designer white - \$75 per door

SHELVES

- S714F: Heavy Duty Lumber 1" Shelves - \$75 per Shelf ("M" Styles - n/a)

TASK LIGHT

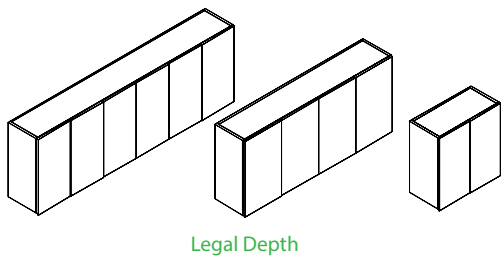
- LT-LED24: 24" LED Tasklight - \$90
- LT-LED48: 48" LED Tasklight - \$165
- LT-LED60: 60" LED Tasklight - \$180
- LC22:20" LT-LED Tasklight Linking Cable - \$20
- WAR-D: Delete Tasklight Concealment Apron Rail - Deduct \$125

4 SELECT HARDWARE



Optional Hardware  
See pg. 16

DOUBLE HEIGHT WALL HUNG OVERHEADS



18" D PANEL DOORS - 2/4/6 SECTION

STANDARD FEATURES

- Adjustable finished shelf behind each door section
- Black painted top
- Doors fully matched set
- Interior shelf depth 16"
- Mounting wall rail included
- Tasklight Concealment Apron Rail

- Proper installation is critical to ensure safety from possible falling cabinets. The factory assumes no liability for damage or injury from The following: installation into non-load bearing walls. Improper fasteners used in installation. Overloading of cabinets resulting in failures of wall and surrounding structures, fasteners, or cabinet construction. Misuse of cabinets for intended purposes.

NOTES

- "M" Styles have matching "M" Finish Shelf

[CLICK HERE TO VIEW PRODUCT INDEX](#)

1 SELECT A STYLE

DIMENSIONS		STYLE NUMBER	LIST PRICE	STYLE NUMBER	LIST PRICE	STYLE NUMBER	LIST PRICE
W" x D" x H"	WGT	"W" Veneer Top Veneer Chassis		"G" HPL High Pressure Laminate Top Veneer Chassis		"M" TFL Thermally Fused Laminate Top Thermally Fused Laminate Chassis	
<b>6 Door / 3 Section</b>							
93 x 18 x 29	265	CPC9329WH653W	3789	"G" option N/A		CPC9329WH653M	2815
87 x 18 x 29	220	CPC8729WH653W	3728	"G" option N/A		CPC8729WH653M	2689
<b>4 Door / 2 Section</b>							
70 x 18 x 29	220	CPC7029WH653W	3096	"G" option N/A		CPC7029WH653M	1880
64 x 18 x 29	200	CPC6429WH653W	3068	"G" option N/A		CPC6429WH653M	1842
58 x 18 x 29	180	CPC5829WH653W	3008	"G" option N/A		CPC5829WH653M	1765
<b>2 Door / 1 Section</b>							
35 x 18 x 29	85	CPC3529WH653W	1616	"G" option N/A		CPC3529WH653M	1259
29 x 18 x 29	75	CPC2929WH653W	1578	"G" option N/A		CPC2929WH653M	1220

2 SELECT A FINISH

"W" Veneer	"G" HPL	"M" TFL	Finish
WAC	-	-	Amber Cherry
WRC	-	-	Caramel Cherry
WIC	-	-	Crimson Cherry
WEC	-	-	Ebony Cherry
WHC	-	MHC	Honey Cherry
WOC	-	MOC	KoKo Cherry
WSC	-	-	Scotch Cherry
WAM	-	-	Alabaster Maple
WCM	-	-	Clear Maple
WWM	-	-	Wheat Maple
WEW	-	-	Executive Walnut
WRW	GRW	-	Gray Luster Walnut
WGW	-	MGW	Gunstock Walnut
WJW	-	-	Judicial Walnut
WNW	-	-	Natural Walnut
WTW	-	MTW	Studio Teak Walnut
WWP	-	MWL	Designer White

3 SELECT AN EDGE

Edge Profile  
Option Not Available

5 OPTIONS

DOOR

- D2: Door Lock - \$95 per Door Set
- D9SC: Soft Close Door Hinges - \$15 per Door
- WPD3061: Full fill designer white - \$75 per door

SHELVES

- S714F: Heavy Duty Lumber 1" Shelves - \$75 per Shelf ("M" Styles - n/a)

TASK LIGHT

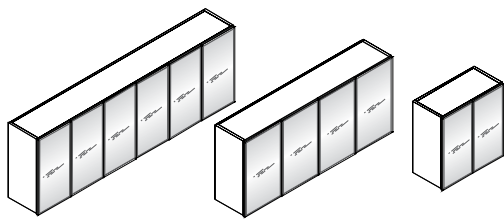
- LT-LED24: 24" LED Tasklight - \$90
- LT-LED48: 48" LED Tasklight - \$165
- LT-LED60: 60" LED Tasklight - \$180
- LC22:20" LT-LED Tasklight Linking Cable - \$20
- WAR-D: Delete Tasklight Concealment Apron Rail - Deduct \$125

4 SELECT HARDWARE



Optional Hardware  
See pg.16

DOUBLE HEIGHT WALL HUNG OVERHEADS



14" D SILVERLUMA FRAME / FROSTED DOORS - 2/4/6 SECTION

STANDARD FEATURES

- Adjustable finished shelf behind each door section
- Black painted top
- Interior shelf depth 12"
- Mounting wall rail included
- Tasklight Concealment Apron Rail

assumes no liability for damage or injury from The following: installation into non-load bearing walls. Improper fasteners used in installation. Overloading of cabinets resulting in failures of wall and surrounding structures, fasteners, or cabinet construction. Misuse of cabinets for intended purposes.

NOTES

- Proper installation is critical to ensure safety from possible falling cabinets. The factory

[CLICK HERE TO VIEW PRODUCT INDEX](#)

1 SELECT A STYLE

DIMENSIONS		STYLE NUMBER	LIST PRICE	STYLE NUMBER	LIST PRICE	STYLE NUMBER	LIST PRICE
W" x D" x H"	WGT	"W" Veneer Top Veneer Chassis		"G" HPL High Pressure Laminate Top Veneer Chassis		"M" TFL Thermally Fused Laminate Top Thermally Fused Laminate Chassis	
<b>6 Door / 3 Section</b>							
93 x 14 x 29	265	CPC9329WH331W	4275	"G" option N/A		CPC9329WH331M	3180
87 x 14 x 29	250	CPC8729WH331W	4145	"G" option N/A		CPC8729WH331M	3065
<b>4 Door / 2 Section</b>							
70 x 14 x 29	220	CPC7029WH331W	3395	"G" option N/A		CPC7029WH331M	2130
64 x 14 x 29	200	CPC6429WH331W	3305	"G" option N/A		CPC6429WH331M	2095
58 x 14 x 29	180	CPC5829WH331W	3175	"G" option N/A		CPC5829WH331M	2025
<b>2 Door / 1 Section</b>							
35 x 14 x 29	85	CPC3529WH331W	1800	"G" option N/A		CPC3529WH331M	1355
29 x 14 x 29	75	CPC2929WH331W	1700	"G" option N/A		CPC2929WH331M	1325

2 SELECT A FINISH

"W" Veneer	"G" HPL	"M" TFL	Finish
WAC	-	-	Amber Cherry
WRC	-	-	Caramel Cherry
WIC	-	-	Crimson Cherry
WEC	-	-	Ebony Cherry
WHC	-	MHC	Honey Cherry
WOC	-	MOC	KoKo Cherry
WSC	-	-	Scotch Cherry
WAM	-	-	Alabaster Maple
WCM	-	-	Clear Maple
WWM	-	-	Wheat Maple
WEW	-	-	Executive Walnut
WRW	GRW	-	Gray Luster Walnut
WGW	-	MGW	Gunstock Walnut
WJW	-	-	Judicial Walnut
WNW	-	-	Natural Walnut
WTW	-	MTW	Studio Teak Walnut
WWP	-	MWL	Designer White

3 SELECT AN EDGE

Edge Profile  
Option Not Available

5 OPTIONS

DOOR

- D2: Door Lock - \$95 per Door Set
- D9SC: Soft Close Door Hinges - \$15 per Door
- DWF1: 2" Wood frame replaces SilverLuma Frame - n/c ("W" only)
- DWF2: 2" Wood frame w/ pull replaces SilverLuma Frame - \$15 Per Door ("W" only)
- WPD3061: Full fill designer white - \$75 per door

INTERIOR CABINET LIGHT

- LEDPK starter kit includes Infeed, 1 Puck Interior Light and the ability to daisy chain up to 6 total Puck Lights
- LEDPK: LED Puck Starter Kit - \$295
- PK: 1 LED Interior Light - \$125 ea.

TASK LIGHT

- LT-LED24: 24" LED Tasklight - \$90
- LT-LED48: 48" LED Tasklight - \$165
- LT-LED60: 60" LED Tasklight - \$180
- LC22:20" LT-LED Tasklight Linking Cable - \$20
- WAR-D: Delete Tasklight Concealment Apron Rail - Deduct \$125

SHELVES

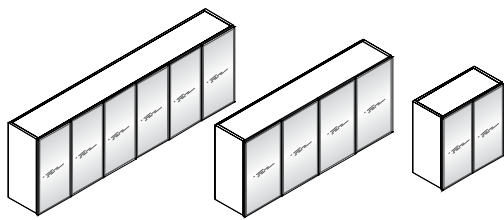
- G514F: Replace Standard Shelves with Glass Shelves - \$85 per Shelf
- S714F: Heavy Duty Lumber 1" Shelves - \$75 per Shelf ("M" Styles - n/a)

4 SELECT HARDWARE

Hardware  
Option Not Available



DOUBLE HEIGHT WALL HUNG OVERHEADS



Legal Depth

18" D SILVERLUMA FRAME / FROSTED DOORS - 2/4/6 SECTION

STANDARD FEATURES

- Adjustable finished shelf behind each door section
- Black painted top
- Interior shelf depth 16"
- Mounting wall rail included
- Tasklight Concealment Apron Rail

assumes no liability for damage or injury from The following: installation into non-load bearing walls. Improper fasteners used in installation. Overloading of cabinets resulting in failures of wall and surrounding structures, fasteners, or cabinet construction. Misuse of cabinets for intended purposes.

NOTES

- Proper installation is critical to ensure safety from possible falling cabinets. The factory

[CLICK HERE TO VIEW PRODUCT INDEX](#)

1 SELECT A STYLE

DIMENSIONS		STYLE NUMBER	LIST PRICE	STYLE NUMBER	LIST PRICE	STYLE NUMBER	LIST PRICE
W" x D" x H"	WGT	"W" Veneer Top Veneer Chassis		"G" High Pressure Laminate Top HPL Veneer Chassis		"M" Thermally Fused Laminate Top TFL Thermally Fused Laminate Chassis	
<b>6 Door / 3 Section</b>							
93 x 18 x 29	265	CPC9329WH654W	4685	"G" option N/A		CPC9329WH654M	3481
87 x 18 x 29	250	CPC8729WH654W	4542	"G" option N/A		CPC8729WH654M	3354
<b>4 Door / 2 Section</b>							
70 x 18 x 29	220	CPC7029WH654W	3717	"G" option N/A		CPC7029WH654M	2326
64 x 18 x 29	200	CPC6429WH654W	3618	"G" option N/A		CPC6429WH654M	2287
58 x 18 x 29	180	CPC5829WH654W	3475	"G" option N/A		CPC5829WH654M	2210
<b>2 Door / 1 Section</b>							
35 x 18 x 29	85	CPC3529WH654W	1963	"G" option N/A		CPC3529WH654M	1473
29 x 18 x 29	75	CPC2929WH654W	1853	"G" option N/A		CPC2929WH654M	1440

2 SELECT A FINISH

"W" Veneer	"G" HPL	"M" TFL	Finish
WAC	-	-	Amber Cherry
WRC	-	-	Caramel Cherry
WIC	-	-	Crimson Cherry
WEC	-	-	Ebony Cherry
WHC	-	MHC	Honey Cherry
WOC	-	MOC	KoKo Cherry
WSC	-	-	Scotch Cherry
WAM	-	-	Alabaster Maple
WCM	-	-	Clear Maple
WWM	-	-	Wheat Maple
WEW	-	-	Executive Walnut
WRW	GRW	-	Gray Luster Walnut
WGW	-	MGW	Gunstock Walnut
WJW	-	-	Judicial Walnut
WNW	-	-	Natural Walnut
WTW	-	MTW	Studio Teak Walnut
WWP	-	MWL	Designer White

3 SELECT AN EDGE

Edge Profile  
Option Not Available

5 OPTIONS

DOOR

- D2: Door Lock - \$95 per Door Set
- D9SC: Soft Close Door Hinges - \$15 per Door
- DWF1: 2" Wood frame replaces SilverLuma Frame - n/c ("W" only)
- DWF2: 2" Wood frame w/ pull replaces SilverLuma Frame - \$15 Per Door ("W" only)
- WPD3061: Full fill designer white - \$75 per door

INTERIOR CABINET LIGHT

- LEDPK starter kit includes Infeed, 1 Puck Interior Light and the ability to daisy chain up to 6 total Puck Lights
- LEDPK: LED Puck Starter Kit - \$295
- PK: 1 LED Interior Light - \$125 ea.

TASK LIGHT

- LT-LED24: 24" LED Tasklight - \$90
- LT-LED48: 48" LED Tasklight - \$165
- LT-LED60: 60" LED Tasklight - \$180
- LC22:20" LT-LED Tasklight Linking Cable - \$20
- WAR-D: Delete Tasklight Concealment Apron Rail - Deduct \$125

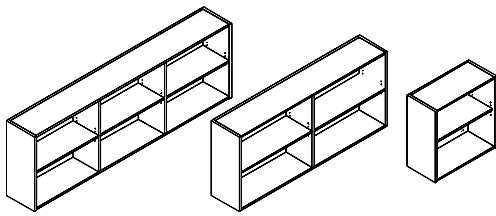
SHELVES

- G514F: Replace Standard Shelves with Glass Shelves - \$85 per Shelf
- S714F: Heavy Duty Lumber 1" Shelves - \$75 per Shelf ("M" Styles - n/a)

4 SELECT HARDWARE

Hardware  
Option Not Available

DOUBLE HEIGHT WALL HUNG OVERHEADS



14" D OPEN STORAGE CABINET - 1/2/3 SECTION

STANDARD FEATURES

- Adjustable finished shelf
- Black painted top
- Interior cabinet depth 12.5"
- Tasklight Concealment Apron Rail

from possible falling cabinets. The factory assumes no liability for damage or injury from the following: installation into non-load bearing walls. Improper fasteners used in installation. Overloading of cabinets resulting in failures of wall and surrounding structures, fasteners, or cabinet construction. Misuse of cabinets for intended purposes.

NOTES

- 2 section overhead available w/ 1 sliding door
- 3 Section Overhead Available w/ 1 or 2 Sliding Doors
- Proper installation is critical to ensure safety

[CLICK HERE TO VIEW PRODUCT INDEX](#)

**1 SELECT A STYLE**

DIMENSIONS		STYLE NUMBER		LIST PRICE	STYLE NUMBER		LIST PRICE	STYLE NUMBER		LIST PRICE
W" x D" x H"	WGT	"W" Veneer Veneer Top Veneer Chassis			"G" HPL High Pressure Laminate Top Veneer Chassis			"M" TFL Thermally Fused Laminate Top Thermally Fused Laminate Chassis		
<b>3 Section</b>										
93 x 14 x 29	205	CPC9329WH332W		3130	"G" option N/A			CPC9329WH332M		2075
87 x 14 x 29	190	CPC8729WH332W		3070	"G" option N/A			CPC8729WH332M		1965
<b>2 Section</b>										
70 x 14 x 29	190	CPC7029WH332W		2630	"G" option N/A			CPC7029WH332M		1390
64 x 14 x 29	170	CPC6429WH332W		2570	"G" option N/A			CPC6429WH332M		1360
58 x 14 x 29	150	CPC5829WH332W		2465	"G" option N/A			CPC5829WH332M		1290
<b>1 Section</b>										
35 x 14 x 29	70	CPC3529WH332W		1375	"G" option N/A			CPC3529WH332M		995
29 x 14 x 29	60	CPC2929WH332W		1345	"G" option N/A			CPC2929WH332M		960

**2 SELECT A FINISH**      **3 SELECT AN EDGE**      **5 OPTIONS**

"W" Veneer	"G" HPL	"M" TFL	
WAC	-	-	Amber Cherry
WRC	-	-	Caramel Cherry
WIC	-	-	Crimson Cherry
WEC	-	-	Ebony Cherry
WHC	-	MHC	Honey Cherry
WOC	-	MOC	KoKo Cherry
WSC	-	-	Scotch Cherry
WAM	-	-	Alabaster Maple
WCM	-	-	Clear Maple
WWM	-	-	Wheat Maple
WEW	-	-	Executive Walnut
WRW	GRW	-	Gray Luster Walnut
WGW	-	MGW	Gunstock Walnut
WJW	-	-	Judicial Walnut
WNW	-	-	Natural Walnut
WTW	-	MTW	Studio Teak Walnut
WWP	-	MWL	Designer White

Edge Profile  
Option Not Available

**4 SELECT HARDWARE**

Hardware  
Option Not Available

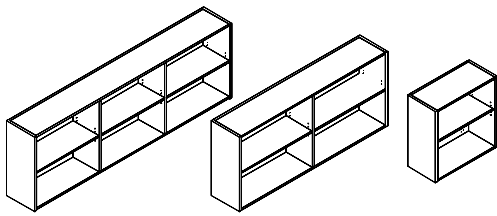
**DOOR**  
Not available on one section units  
- SLD29WD: Wood/Laminate Panel Door - \$295 Per Door  
- SLD29LD: White Laminate Door - \$250 Per Door  
- SLD29FD: SilverLuma / Frost Door - \$395 Per Door

**INTERIOR CABINET LIGHT**  
LEDPK starter kit includes Infeed, 1 Puck Interior Light and the ability to daisy chain up to 6 total Puck Lights  
- LEDPK: LED Puck Starter Kit - \$295  
- PK: 1 LED Interior Light - \$125 ea.

**TASK LIGHT**  
- LT-LED24: 24" LED Tasklight - \$90  
- LT-LED48: 48" LED Tasklight - \$165  
- LT-LED60: 60" LED Tasklight - \$180  
- LC22:20" LT-LED Tasklight Linking Cable - \$20  
- WAR-D: Delete Tasklight Concealment Apron Rail - Deduct \$125

**SHELVES**  
- GS14F: Replace Standard Shelves with Glass Shelves - \$85 per Shelf  
- S714F: Heavy Duty Lumber 1" Shelves - \$75 per Shelf ("M" Styles - n/a)

DOUBLE HEIGHT WALL HUNG OVERHEADS



Legal Depth

18" D OPEN STORAGE CABINET - 1/2/3 SECTION

STANDARD FEATURES

- Adjustable finished shelf
- Black painted top
- Interior cabinet depth 16.5"
- Tasklight Concealment Apron Rail

from possible falling cabinets. The factory assumes no liability for damage or injury from The following: installation into non-load bearing walls. Improper fasteners used in installation. Overloading of cabinets resulting in failures of wall and surrounding structures, fasteners, or cabinet construction. Misuse of cabinets for intended purposes.

NOTES

- 2 section overhead available w/ 1 sliding door
- 3 Section Overhead Available w/ 1 or 2 Sliding Doors
- Proper installation is critical to ensure safety

[CLICK HERE TO VIEW PRODUCT INDEX](#)

1 SELECT A STYLE

DIMENSIONS		STYLE NUMBER	LIST PRICE	STYLE NUMBER	LIST PRICE	STYLE NUMBER	LIST PRICE
W" x D" x H"	WGT	"W" Veneer Veneer Top Veneer Chassis		"G" HPL High Pressure Laminate Top Veneer Chassis		"M" TFL Thermally Fused Laminate Top Thermally Fused Laminate Chassis	
<b>3 Section</b>							
93 x 18 x 29	205	CPC9329WH655W	3426	"G" option N/A		CPC9329WH655M	2265
87 x 18 x 29	190	CPC8729WH655W	3360	"G" option N/A		CPC8729WH655M	2135
<b>2 Section</b>							
70 x 18 x 29	190	CPC7029WH655W	2876	"G" option N/A		CPC7029WH655M	1512
64 x 18 x 29	170	CPC6429WH655W	2810	"G" option N/A		CPC6429WH655M	1479
58 x 18 x 29	150	CPC5829WH655W	2694	"G" option N/A		CPC5829WH655M	1402
<b>1 Section</b>							
35 x 18 x 29	70	CPC3529WH655W	1495	"G" option N/A		CPC3529WH655M	1077
29 x 18 x 29	60	CPC2929WH655W	1462	"G" option N/A		CPC2929WH655M	1039

2 SELECT A FINISH

"W" Veneer	"G" HPL	"M" TFL	Finish
WAC	-	-	Amber Cherry
WRC	-	-	Caramel Cherry
WIC	-	-	Crimson Cherry
WEC	-	-	Ebony Cherry
WHC	-	MHC	Honey Cherry
WOC	-	MOC	KoKo Cherry
WSC	-	-	Scotch Cherry
WAM	-	-	Alabaster Maple
WCM	-	-	Clear Maple
WWM	-	-	Wheat Maple
WEW	-	-	Executive Walnut
WRW	GRW	-	Gray Luster Walnut
WGW	-	MGW	Gunstock Walnut
WJW	-	-	Judicial Walnut
WNW	-	-	Natural Walnut
WTW	-	MTW	Studio Teak Walnut
WWP	-	MWL	Designer White

3 SELECT AN EDGE

Edge Profile  
Option Not Available

5 OPTIONS

DOOR

- Not available on one section units
- SLD29WD: Wood/Laminate Panel Door - \$295 Per Door
- SLD29LD: White Laminate Door - \$250 Per Door
- SLD29FD: SilverLuma / Frost Door - \$395 Per Door

INTERIOR CABINET LIGHT

- LEDPK starter kit includes Infeed, 1 Puck Interior Light and the ability to daisy chain up to 6 total Puck Lights
- LEDPK: LED Puck Starter Kit - \$295
- PK: 1 LED Interior Light - \$125 ea.

TASK LIGHT

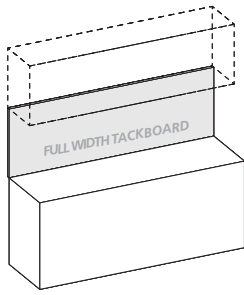
- LT-LED24: 24" LED Tasklight - \$90
- LT-LED48: 48" LED Tasklight - \$165
- LT-LED60: 60" LED Tasklight - \$180
- LC22:20" LT-LED Tasklight Linking Cable - \$20
- WAR-D: Delete Tasklight Concealment Apron Rail - Deduct \$125

SHELVES

- GS14F: Replace Standard Shelves with Glass Shelves - \$85 per Shelf
- S714F: Heavy Duty Lumber 1" Shelves - \$75 per Shelf ("M" Styles - n/a)

4 SELECT HARDWARE

Hardware  
Option Not Available

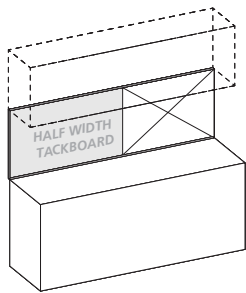


**FULL WIDTH TACKBOARDS**

**STANDARD FEATURES**

- Constructed of .5" thick fiberboard
- Fabric is precisely aligned and fitted to the tackboard
- Adhered to the rigid hardboard with staples

PRODUCT WIDTH	PANEL DIMENSION	SKU	COM	1	2	3	4	5	6	7	8	9	10	11/L1	12	13/L2
105	105 x .75 x 24	FTWH10524	510	630	689	748	807	866	925	984	1,043	1,102	1,161	1,220	1,279	1,397
99	99 x .75 x 24	FTWH9924	483	594	649	704	759	814	869	924	979	1,034	1,089	1,144	1,199	1,309
93	93 x .75 x 24	FTWH9324	447	558	609	660	711	762	813	864	915	966	1,017	1,068	1,119	1,221
87	87 x .75 x 24	FTWH8724	431	522	570	618	666	714	762	810	858	906	954	1,002	1,050	1,146
83	83 x .75 x 24	FTWH8324	406	498	544	590	636	682	728	774	820	866	912	958	1,004	1,096
76	76 x .75 x 24	FTWH7624	373	456	499	542	585	628	671	714	757	800	843	886	929	1,015
70	70 x .75 x 24	FTWH7024	341	420	460	500	540	580	620	660	700	740	780	820	860	940
64	64 x .75 x 24	FTWH6424	310	384	420	456	492	528	564	600	636	672	708	744	780	852
58	58 x .75 x 24	FTWH5824	283	348	380	412	444	476	508	540	572	604	636	668	700	764
47	47 x .75 x 24	FTWH4724	227	282	309	336	363	390	417	444	471	498	525	552	579	633
35	35 x .75 x 24	FTWH3524	169	210	230	250	270	290	310	330	350	370	390	410	430	470
29	29 x .75 x 24	FTWH2924	137	174	191	208	225	242	259	276	293	310	327	344	361	395



WALL HUNG TACKBOARDS

**HALF WIDTH TACKBOARDS**

**STANDARD FEATURES**

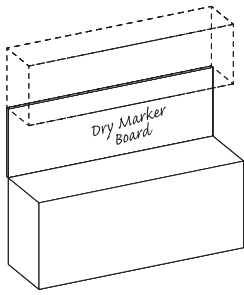
- Constructed of .5" thick fiberboard
- Fabric is precisely aligned and fitted to the tackboard
- Adhered to the rigid hardboard with staples

**Notes**

- Half width tackboards can be specified and combined with a Veneer Panel, Marker Board, Slat Wall or Glass Board. See "Half Width" items under product width.
- Must specify Right or left facing tackboard

PRODUCT WIDTH	PANEL DIMENSION	SKU	COM	1	2	3	4	5	6	7	8	9	10	11/L1	12	13/L2
105 Half Width	52.5 x .75 x 24	FTWH5224	255	315	345	374	404	433	463	492	522	551	581	610	640	699
99 Half Width	49.5 x .75 x 24	FTWH4924	242	297	325	352	380	407	435	462	490	517	545	575	600	655
93 Half Width	46.5 x .75 x 24	FTWH4624	224	279	305	330	356	381	407	432	458	483	509	534	560	611
87 Half Width	43.5 x .75 x 24	FTWH4324	216	261	285	309	333	357	381	405	429	453	477	501	525	573
83 Half Width	41.5 x .75 x 24	FTWH4124	203	249	272	295	318	341	364	387	410	433	456	479	502	548
76 Half Width	38 x .75 x 24	FTWH3824	187	228	250	271	293	314	336	357	379	400	422	443	465	508
70 Half Width	35 x .75 x 24	FTWH3524	171	210	230	250	270	290	310	330	350	370	390	410	430	470
64 Half Width	32 x .75 x 24	FTWH3224	155	192	210	228	246	264	282	300	318	336	354	372	390	426

**WALL HUNG DRY MARKER BOARD**

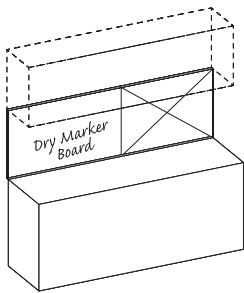


**FULL WIDTH DRY MARKER BOARD**

**STANDARD FEATURES**

- Dry marker panel has edge trim molding
- Standard magnetic surface

PRODUCT WIDTH	PANEL DIMENSION	SKU	LIST
105	105 x .75 x 24	DMWH10524	1260
99	99 x .75 x 24	DMWH9924	1188
93	93 x .75 x 24	DMWH9324	1116
87	87 x .75 x 24	DMWH8724	1044
83	83 x .75 x 24	DMWH8324	984
76	76 x .75 x 24	DMWH7624	912
70	70 x .75 x 24	DMWH7024	840
64	64 x .75 x 24	DMWH6424	768
58	58 x .75 x 24	DMWH5824	696
47	47 x .75 x 24	DMWH4724	564
35	35 x .75 x 24	DMWH3524	420
29	29 x .75 x 24	DMWH2924	348



**WALL HUNG DRY MARKER BOARD**

**HALF WIDTH DRY MARKER BOARD**

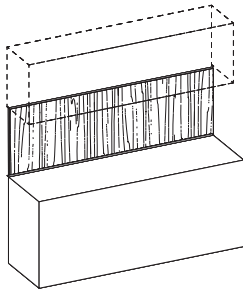
**STANDARD FEATURES**

- Dry marker panel has edge trim molding
- Standard magnetic surface

**Notes**

- Half width dry marker boards can be specified and combined with a Tackboard, Veneer Panel, Slat Wall or Glass Board. See "Half Width" items under product width.
- Must specify Right or left facing dry marker board

PRODUCT WIDTH	PANEL DIMENSION	SKU	LIST
105 Half Width	52.5 x .75 x 24	DMWH5224	606
99 Half Width	49.5 x .75 x 24	DMWH4924	570
93 Half Width	46.5 x .75 x 24	DMWH4624	558
87 Half Width	43.5 x .75 x 24	DMWH4324	522
83 Half Width	41.5 x .75 x 24	DMWH4124	498
76 Half Width	38 x .75 x 24	DMWH3824	456
70 Half Width	35 x .75 x 24	DMWH3524	420
64 Half Width	32 x .75 x 24	DMWH3224	384

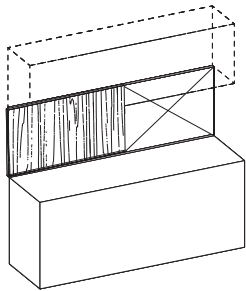


**FULL WIDTH VENEER PANEL**

**STANDARD FEATURES**

- Can be used with or without overhead cabinet.
- Required for other accessory panels.
- Veneer edges.
- Vertical wire channels on back for task light cords.
- Steel mounting wall channel is recessed for flush mounting.

PRODUCT WIDTH	PANEL DIMENSION	SKU	LIST
105	105 x .75 x 24	VPWH10524	1050
99	99 x .75 x 24	VPWH9924	990
93	93 x .75 x 24	VPWH9324	930
87	87 x .75 x 24	VPWH8724	870
83	83 x .75 x 24	VPWH8324	820
76	76 x .75 x 24	VPWH7624	760
70	70 x .75 x 24	VPWH7024	700
64	64 x .75 x 24	VPWH6424	640
58	58 x .75 x 24	VPWH5824	580
47	47 x .75 x 24	VPWH4724	470
35	35 x .75 x 24	VPWH3524	350
29	29 x .75 x 24	VPWH2924	290



WALL HUNG VENEER PANEL

**HALF WIDTH VENEER PANEL**

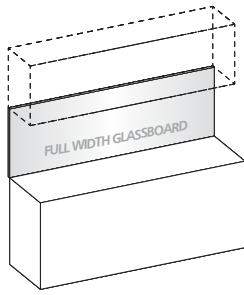
**STANDARD FEATURES**

- Can be used with or without overhead cabinet.
- Required for other accessory panels.
- Veneer edges.
- Vertical wire channels on back for task light cords.
- Steel mounting wall channel is recessed for flush mounting.

**Notes**

- Half width veneer panels can be specified and combined with a Tackboard, Marker Board, Slat Wall or Glass Board. See "Half Width" items under product width.
- Must specify Right or left facing veneer panel

PRODUCT WIDTH	PANEL DIMENSION	SKU	LIST
105 Half Width	52.5 x .75 x 24	VPWH5224	525
99 Half Width	49.5 x .75 x 24	VPWH4924	495
93 Half Width	46.5 x .75 x 24	VPWH4624	465
87 Half Width	43.5 x .75 x 24	VPWH4324	435
83 Half Width	41.5 x .75 x 24	VPWH4124	415
76 Half Width	38 x .75 x 24	VPWH3824	380
70 Half Width	35 x .75 x 24	VPWH3524	350
64 Half Width	32 x .75 x 24	VPWH3224	320

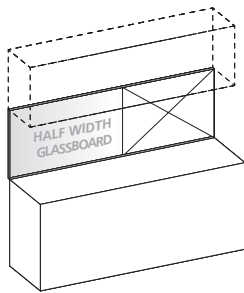


**FULL WIDTH TACKBOARDS**

**STANDARD FEATURES**

- 4 mm tempered glass
- Use glass cleaner or alcohol to clean
- Standard dry erase markers may be used
- Earth magnets are required to hold items securely in place
- Hung with Z-Strip mounting system

PRODUCT WIDTH	PANEL DIMENSION	SKU	LIST
105	105 x .75 x 24	GBWH10524	2815
99	99 x .75 x 24	GBWH9924	2807
93	93 x .75 x 24	GBWH9324	2647
87	87 x .75 x 24	GBWH8724	2487
83	83 x .75 x 24	GBWH8324	2380
76	76 x .75 x 24	GBWH7624	2193
70	70 x .75 x 24	GBWH7024	2033
64	64 x .75 x 24	GBWH6424	1873
58	58 x .75 x 24	GBWH5824	1712
47	47 x .75 x 24	GBWH4724	1419
35	35 x .75 x 24	GBWH3524	1098
29	29 x .75 x 24	GBWH2924	938



WALL HUNG GLASSBOARD

**HALF WIDTH TACKBOARDS**

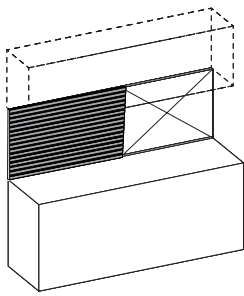
**STANDARD FEATURES**

- 4 mm tempered glass
- Use glass cleaner or alcohol to clean
- Standard dry erase markers may be used
- Earth magnets are required to hold items securely in place
- Hung with Z-Strip mounting system

**Notes**

- Half width glassboards can be specified and combined with a Tackboard, Veneer panel, Marker Board or Slat Wall. See "Half Width" items under product width.
- Must specify Right or left facing glassboard

PRODUCT WIDTH	PANEL DIMENSION	SKU	LIST
105 Half Width	52.5 x .75 x 24	GBWH5224	1565
99 Half Width	49.5 x .75 x 24	GBWH4924	1485
93 Half Width	46.5 x .75 x 24	GBWH4624	1405
87 Half Width	43.5 x .75 x 24	GBWH4324	1325
83 Half Width	41.5 x .75 x 24	GBWH4124	1272
76 Half Width	38 x .75 x 24	GBWH3824	1185
70 Half Width	35 x .75 x 24	GBWH3524	1098
64 Half Width	32 x .75 x 24	GBWH3224	1018



## CENTRAL PARK WALL HUNG SLAT WALL

### HALF WIDTH SLAT WALL

#### STANDARD FEATURES

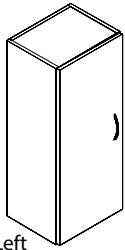
- Available in silver or black
- For use on 42"/43" height consoles

#### Notes

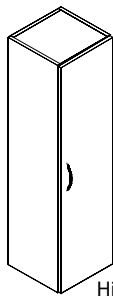
- Half width slat walls can be specified and combined with a Tackboard, Veneer panel, Marker Board or Glassboard. See "Half Width" items under product width.
- Must specify Right or left facing slat wall

PRODUCT WIDTH	PANEL DIMENSION	SKU	LIST
105 Half Width	52.5 x .75 x 24	SWWH5224	525
99 Half Width	49.5 x .75 x 24	SWWH4924	495
93 Half Width	46.5 x .75 x 24	SWWH4624	465
87 Half Width	43.5 x .75 x 24	SWWH4324	435
83 Half Width	41.5 x .75 x 24	SWWH4124	415
76 Half Width	38 x .75 x 24	SWWH3824	380
70 Half Width	35 x .75 x 24	SWWH3524	350
64 Half Width	32 x .75 x 24	SWWH3224	320





Hinged Left



Hinged Right

**14" D PANEL DOORS / STORAGE**

**STANDARD FEATURES**

- 42" H Storage w/ 2 Finished adjustable shelves
- 54" H Storage w/ 3 Finished adjustable shelves
- "W" styles - 42" H units finished top, 54" H units black painted top
- Interior shelf depth 12"

**NOTES**

- Unit has black back panel and is not designed for Open Plan use. Select OPB Option for Open Plan application

[CLICK HERE TO VIEW PRODUCT INDEX](#)

**1 SELECT A STYLE**

DIMENSIONS		STYLE NUMBER	LIST PRICE	STYLE NUMBER	LIST PRICE	STYLE NUMBER	LIST PRICE
W" x D" x H"	WGT	"W" Veneer Top Veneer Chassis		"G" High Pressure Laminate Top HPL Veneer Chassis		"M" Thermally Fused Laminate Top Thermally Fused Laminate Chassis	
<b>Hinged Left</b>							
17 -1/2 x 14 x 42	80	CPC1742OH340W	1218	"G" option N/A		CPC1742OH340M	765
14 -1/2 x 14 x 42	75	CPC1442OH340W	1162	"G" option N/A		CPC1442OH340M	740
17 -1/2 x 14 x 54	90	CPC1754OH340W	1417	"G" option N/A		CPC1754OH340M	820
14 -1/2 x 14 x 54	85	CPC1454OH340W	1360	"G" option N/A		CPC1454OH340M	795
<b>Hinged Right</b>							
17 -1/2 x 14 x 42	80	CPC1742OH341W	1218	"G" option N/A		CPC1742OH341M	765
14 -1/2 x 14 x 42	75	CPC1442OH341W	1162	"G" option N/A		CPC1442OH341M	740
17 -1/2 x 14 x 54	90	CPC1754OH341W	1417	"G" option N/A		CPC1754OH341M	820
14 -1/2 x 14 x 54	85	CPC1454OH341W	1360	"G" option N/A		CPC1454OH341M	795

**2 SELECT A FINISH**

"W" Veneer	"G" HPL	"M" TFL	Finish
WAC	-	-	Amber Cherry
WRC	-	-	Caramel Cherry
WIC	-	-	Crimson Cherry
WEC	-	-	Ebony Cherry
WHC	-	MHC	Honey Cherry
WOC	-	MOC	KoKo Cherry
WSC	-	-	Scotch Cherry
WAM	-	-	Alabaster Maple
WCM	-	-	Clear Maple
WWM	-	-	Wheat Maple
WEW	-	-	Executive Walnut
WRW	GRW	-	Gray Luster Walnut
WGW	-	MGW	Gunstock Walnut
WJW	-	-	Judicial Walnut
WNW	-	-	Natural Walnut
WTW	-	MTW	Studio Teak Walnut
WWP	-	MWL	Designer White

**3 SELECT AN EDGE**

Edge Profile  
Option Not Available

**5 OPTIONS**

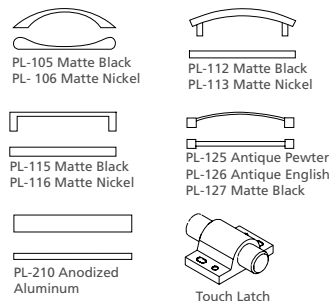
**DOOR**

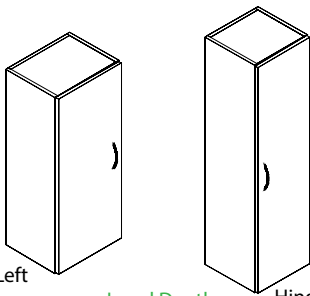
- D2: Door lock - \$95
- D6: Delete doors - n/c
- D9SC: Soft Close Door Hinges - \$15 per Door
- WPD3061: Full fill designer white - \$75 per door

**OPEN PLAN**

- OPB: "W" "G" Style - Modify Unit for Open Plan Application - \$295
- OPB: "M" Style - Modify Unit for Open Plan Application - \$95

**4 SELECT HARDWARE**





Hinged Left

Legal Depth

Hinged Right

**18" D PANEL DOORS / STORAGE**

**STANDARD FEATURES**

- 42" H Storage w/ 2 Finished adjustable shelves
- 54" Storage w/ (3) Finished adjustable shelves
- "W" styles - 42" H units finished top, 54" H units black painted top.
- Interior shelf depth 16"

**NOTES**

- Unit has black back panel and is not designed for Open Plan use. Select OPB Option for Open Plan application

[CLICK HERE TO VIEW PRODUCT INDEX](#)

**1 SELECT A STYLE**

DIMENSIONS		STYLE NUMBER	LIST PRICE	STYLE NUMBER	LIST PRICE	STYLE NUMBER	LIST PRICE
W" x D" x H"	WGT	"W" Veneer Top Veneer Chassis		"G" HPL High Pressure Laminate Top Veneer Chassis		"M" TFL Thermally Fused Laminate Top Thermally Fused Laminate Chassis	
<b>Hinged Left</b>							
17 -1/2 x 18 x 42	80	CPC1742OH646W	1340	"G" option N/A		CPC1742OH646M	842
14 -1/2 x 18 x 42	75	CPC1442OH646W	1279	"G" option N/A		CPC1442OH646M	814
17 -1/2 x 18 x 54	90	CPC1754OH646W	1559	"G" option N/A		CPC1754OH646M	902
14 -1/2 x 18 x 54	85	CPC1454OH646W	1496	"G" option N/A		CPC1454OH646M	875
<b>Hinged Right</b>							
17 -1/2 x 18 x 42	80	CPC1742OH647W	1340	"G" option N/A		CPC1742OH647M	842
14 -1/2 x 18 x 42	75	CPC1442OH647W	1279	"G" option N/A		CPC1442OH647M	814
17 -1/2 x 18 x 54	90	CPC1754OH647W	1559	"G" option N/A		CPC1754OH647M	902
14 -1/2 x 18 x 54	85	CPC1454OH647W	1496	"G" option N/A		CPC1454OH647M	875

**2 SELECT A FINISH**

"W" Veneer	"G" HPL	"M" TFL	Finish
WAC	-	-	Amber Cherry
WRC	-	-	Caramel Cherry
WIC	-	-	Crimson Cherry
WEC	-	-	Ebony Cherry
WHC	-	MHC	Honey Cherry
WOC	-	MOC	KoKo Cherry
WSC	-	-	Scotch Cherry
WAM	-	-	Alabaster Maple
WCM	-	-	Clear Maple
WWM	-	-	Wheat Maple
WEW	-	-	Executive Walnut
WRW	GRW	-	Gray Luster Walnut
WGW	-	MGW	Gunstock Walnut
WJW	-	-	Judicial Walnut
WNW	-	-	Natural Walnut
WTW	-	MTW	Studio Teak Walnut
WWP	-	MWL	Designer White

**3 SELECT AN EDGE**

Edge Profile  
Option Not Available

**5 OPTIONS**

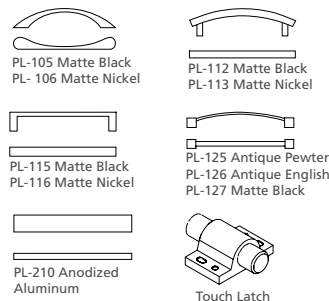
**DOOR**

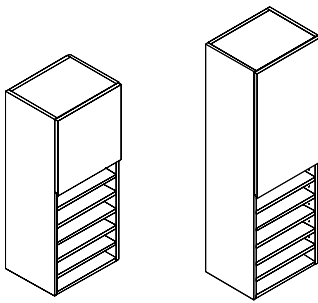
- D2: Door lock - \$95
- D6: Delete doors - n/c
- D9SC: Soft Close Door Hinges - \$15 per Door
- WPD3061: Full fill designer white - \$75 per door

**OPEN PLAN**

- OPB: "W" "G" Style - Modify Unit for Open Plan Application - \$295
- OPB: "M" Style - Modify Unit for Open Plan Application - \$95

**4 SELECT HARDWARE**





**14" D PANEL DOOR - STORAGE / ORGANIZER**

**STANDARD FEATURES**

- 54" H has finished adjustable shelf behind door
- Interior cabinet depth 12.5"
- Organizer w/ 5 shelves (wood)
- "W" styles - 42" H units finished top, 54" H units black painted top

**NOTES**

- Unit has black back panel and is not designed for Open Plan use. Select OPB Option for Open Plan application

[CLICK HERE TO VIEW PRODUCT INDEX](#)

**1 SELECT A STYLE**

DIMENSIONS		STYLE NUMBER	LIST PRICE	STYLE NUMBER	LIST PRICE	STYLE NUMBER	LIST PRICE
W" x D" x H"	WGT	"W" Veneer Top Veneer Chassis		"G" High Pressure Laminate Top Veneer Chassis		"M" Thermally Fused Laminate Top Thermally Fused Laminate Chassis	
<b>Hinged Left</b>							
17 -1/2 x 14 x 42	80	CPC1742OH408W	1388	"G" option N/A		CPC1742OH408M	865
14 -1/2 x 14 x 42	75	CPC1442OH408W	1331	"G" option N/A		CPC1442OH408M	835
17 -1/2 x 14 x 54	90	CPC1754OH408W	1586	"G" option N/A		CPC1754OH408M	920
14 -1/2 x 14 x 54	85	CPC1454OH408W	1530	"G" option N/A		CPC1454OH408M	895
<b>Hinged Right</b>							
17 -1/2 x 14 x 42	80	CPC1742OH409W	1388	"G" option N/A		CPC1742OH409M	865
14 -1/2 x 14 x 42	75	CPC1442OH409W	1331	"G" option N/A		CPC1442OH409M	835
17 -1/2 x 14 x 54	90	CPC1754OH409W	1586	"G" option N/A		CPC1754OH409M	920
14 -1/2 x 14 x 54	85	CPC1454OH409W	1530	"G" option N/A		CPC1454OH409M	895

**2 SELECT A FINISH**

"W" Veneer	"G" HPL	"M" TFL	Finish
WAC	-	-	Amber Cherry
WRC	-	-	Caramel Cherry
WIC	-	-	Crimson Cherry
WEC	-	-	Ebony Cherry
WHC	-	MHC	Honey Cherry
WOC	-	MOC	KoKo Cherry
WSC	-	-	Scotch Cherry
WAM	-	-	Alabaster Maple
WCM	-	-	Clear Maple
WWM	-	-	Wheat Maple
WEW	-	-	Executive Walnut
WRW	GRW	-	Gray Luster Walnut
WGW	-	MGW	Gunstock Walnut
WJW	-	-	Judicial Walnut
WNW	-	-	Natural Walnut
WTW	-	MTW	Studio Teak Walnut
WWP	-	MWL	Designer White

**3 SELECT AN EDGE**

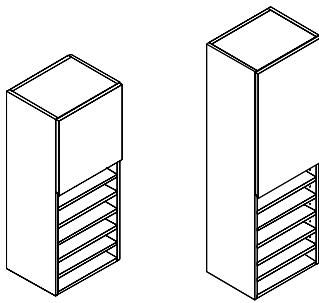
Edge Profile  
Option Not Available

**5 OPTIONS**

- DOOR**
- D2: Door lock - \$95
  - D6: Delete doors - n/c
  - D9SC: Soft Close Door Hinges - \$15 per Door
  - WPD3061: Full fill designer white - \$75 per door
- OPEN PLAN**
- OPB: "W" "G" Style - Modify Unit for Open Plan Application - \$295
  - OPB: "M" Style - Modify Unit for Open Plan Application - \$95

**4 SELECT HARDWARE**





Legal Depth

**18" D PANEL DOOR - STORAGE / ORGANIZER**

**STANDARD FEATURES**

- 54" H has finished adjustable shelf behind door
- Interior cabinet depth 16.5"
- Organizer w/ 5 shelves (wood)
- "W" styles - 42" H units finished top, 54" H units black painted top

**NOTES**

- Unit has black back panel and is not designed for Open Plan use. Select OPB Option for Open Plan application

[CLICK HERE TO VIEW PRODUCT INDEX](#)

**1 SELECT A STYLE**

DIMENSIONS		STYLE NUMBER	LIST PRICE	STYLE NUMBER	LIST PRICE	STYLE NUMBER	LIST PRICE
W" x D" x H"	WGT	"W" Veneer Top Veneer Chassis		"G" High Pressure Laminate Top Veneer Chassis		"M" Thermally Fused Laminate Top Thermally Fused Laminate Chassis	
<b>Hinged Left</b>							
17 -1/2 x 18 x 42	80	CPC1742OH648W	1527	"G" option N/A		CPC1742OH648M	952
14 -1/2 x 18 x 42	75	CPC1442OH648W	1464	"G" option N/A		CPC1442OH648M	919
17 -1/2 x 18 x 54	90	CPC1754OH648W	1745	"G" option N/A		CPC1754OH648M	1012
14 -1/2 x 18 x 54	85	CPC1454OH648W	1683	"G" option N/A		CPC1454OH648M	985
<b>Hinged Right</b>							
17 -1/2 x 18 x 42	80	CPC1742OH649W	1527	"G" option N/A		CPC1742OH649M	952
14 -1/2 x 18 x 42	75	CPC1442OH649W	1464	"G" option N/A		CPC1442OH649M	919
17 -1/2 x 18 x 54	90	CPC1754OH649W	1745	"G" option N/A		CPC1754OH649M	1012
14 -1/2 x 18 x 54	85	CPC1454OH649W	1683	"G" option N/A		CPC1454OH649M	985

**2 SELECT A FINISH**

"W" Veneer	"G" HPL	"M" TFL	Finish
WAC	-	-	Amber Cherry
WRC	-	-	Caramel Cherry
WIC	-	-	Crimson Cherry
WEC	-	-	Ebony Cherry
WHC	-	MHC	Honey Cherry
WOC	-	MOC	KoKo Cherry
WSC	-	-	Scotch Cherry
WAM	-	-	Alabaster Maple
WCM	-	-	Clear Maple
WWM	-	-	Wheat Maple
WEW	-	-	Executive Walnut
WRW	GRW	-	Gray Luster Walnut
WGW	-	MGW	Gunstock Walnut
WJW	-	-	Judicial Walnut
WNW	-	-	Natural Walnut
WTW	-	MTW	Studio Teak Walnut
WWP	-	MWL	Designer White

**3 SELECT AN EDGE**

Edge Profile  
Option Not Available

**5 OPTIONS**

**DOOR**

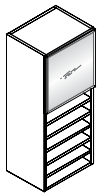
- D2: Door lock - \$95
- D6: Delete doors - n/c
- D9SC: Soft Close Door Hinges - \$15 per Door
- WPD3061: Full fill designer white - \$75 per door

**OPEN PLAN**

- OPB: "W" "G" Style - Modify Unit for Open Plan Application - \$295
- OPB: "M" Style - Modify Unit for Open Plan Application - \$95

**4 SELECT HARDWARE**





# CENTRAL PARK OVERHEAD HALF TOWERS

## 14" D SILVERLUMA FRAME DOOR/FROSTED INSERT - STORAGE/ORGANIZER

### STANDARD FEATURES

- 54" H has finished adjustable shelf behind door
- Interior cabinet depth 12.5"
- Interior shelf depth 12"
- Organizer w/ 5 shelves (wood or laminate)
- "W" styles - 42" H units finished top, 54" H units black painted top

Plan application

### NOTES

- Unit has black back panel and is not designed for Open Plan use. Select OPB Option for Open

[CLICK HERE TO VIEW PRODUCT INDEX](#)

## 1 SELECT A STYLE

DIMENSIONS		STYLE NUMBER	LIST PRICE	STYLE NUMBER	LIST PRICE	STYLE NUMBER	LIST PRICE
W" x D" x H"	WGT	"W" Veneer Veneer Top Veneer Chassis		"G" HPL High Pressure Laminate Top Veneer Chassis		"M" TFL Thermally Fused Laminate Top Thermally Fused Laminate Chassis	
<b>Hinged Left</b>							
17 -1/2 x 14 x 42	85	CPC1742OH416W	1502	"G" option N/A		CPC1742OH416M	940
14 -1/2 x 14 x 42	80	CPC1442OH416W	1444	"G" option N/A		CPC1442OH416M	915
17 -1/2 x 14 x 54	95	CPC1754OH416W	1700	"G" option N/A		CPC1754OH416M	1000
14 -1/2 x 14 x 54	90	CPC1454OH416W	1643	"G" option N/A		CPC1454OH416M	975
<b>Hinged Right</b>							
17 -1/2 x 14 x 42	85	CPC1742OH417W	1502	"G" option N/A		CPC1742OH417M	940
14 -1/2 x 14 x 42	80	CPC1442OH417W	1444	"G" option N/A		CPC1442OH417M	915
17 -1/2 x 14 x 54	95	CPC1754OH417W	1700	"G" option N/A		CPC1754OH417M	1000
14 -1/2 x 14 x 54	90	CPC1454OH417W	1643	"G" option N/A		CPC1454OH417M	975

## 2 SELECT A FINISH

"W" Veneer	"G" HPL	"M" TFL	Finish
WAC	-	-	Amber Cherry
WRC	-	-	Caramel Cherry
WIC	-	-	Crimson Cherry
WEC	-	-	Ebony Cherry
WHC	-	MHC	Honey Cherry
WOC	-	MOC	KoKo Cherry
WSC	-	-	Scotch Cherry
WAM	-	-	Alabaster Maple
WCM	-	-	Clear Maple
WWM	-	-	Wheat Maple
WEW	-	-	Executive Walnut
WRW	GRW	-	Gray Luster Walnut
WGW	-	MGW	Gunstock Walnut
WJW	-	-	Judicial Walnut
WNV	-	-	Natural Walnut
WTW	-	MTW	Studio Teak Walnut
WWP	-	MWL	Designer White

## 3 SELECT AN EDGE

Edge Profile  
Option Not Available

## 5 OPTIONS

### DOOR

- D2: Door Lock - \$95 per Door
- D9SC: Soft Close Door Hinges - \$15 per Door
- DWF1: 2" Wood frame replaces SilverLuma Frame - n/c ("W" only)
- DWF2: 2" Wood frame w/ pull replaces SilverLuma Frame - \$15 Per Door ("W" only)
- WPD3061: Full fill designer white - \$75 per door

### INTERIOR CABINET LIGHT

- LEDPK starter kit includes Infeed, 1 Puck Interior Light and the ability to daisy chain up to 6 total Puck Lights
- LEDPK: LED Puck Starter Kit - \$295
- PK: 1 LED Interior Light - \$125 ea.

### OPEN PLAN

- OPB: "W" "G" Style - Modify Unit for Open Plan Application - \$295
- OPB: "M" Style - Modify Unit for Open Plan Application - \$95

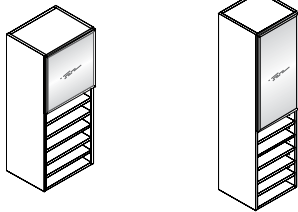
### SHELVES

- GS14H: Replace Standard Shelves with Glass Shelves - \$65 per Shelf
- (behind silverluma door only)

## 4 SELECT HARDWARE



Touch Latch



Legal Depth

18" D SILVERLUMA FRAME DOOR / FROSTED INSERT - STORAGE / ORGANIZER

STANDARD FEATURES

- 54" H has finished adjustable shelf behind door
- Interior cabinet depth 16.5"
- Interior shelf depth 16"
- Organizer w/ 5 shelves (wood or laminate)
- "W" styles - 42" H units finished top, 54" H units black painted top

Plan application

NOTES

- Unit has black back panel and is not designed for Open Plan use. Select OPB Option for Open

[CLICK HERE TO VIEW PRODUCT INDEX](#)

1 SELECT A STYLE

DIMENSIONS		STYLE NUMBER	LIST PRICE	STYLE NUMBER	LIST PRICE	STYLE NUMBER	LIST PRICE
W" x D" x H"	WGT	"W" Veneer Veneer Top Veneer Chassis		"G" HPL High Pressure Laminate Top Veneer Chassis		"M" TFL Thermally Fused Laminate Top Thermally Fused Laminate Chassis	
<b>Hinged Left</b>							
17 -1/2 x 18 x 42	85	CPC1742OH650W	1652	"G" option N/A		CPC1742OH650M	1034
14 -1/2 x 18 x 42	80	CPC1442OH650W	1588	"G" option N/A		CPC1442OH650M	1007
17 -1/2 x 18 x 54	95	CPC1754OH650W	1870	"G" option N/A		CPC1754OH650M	1100
14 -1/2 x 18 x 54	90	CPC1454OH650W	1807	"G" option N/A		CPC1454OH650M	1073
<b>Hinged Right</b>							
17 -1/2 x 18 x 42	85	CPC1742OH651W	1652	"G" option N/A		CPC1742OH651M	1034
14 -1/2 x 18 x 42	80	CPC1442OH651W	1588	"G" option N/A		CPC1442OH651M	1007
17 -1/2 x 18 x 54	95	CPC1754OH651W	1870	"G" option N/A		CPC1754OH651M	1100
14 -1/2 x 18 x 54	90	CPC1454OH651W	1807	"G" option N/A		CPC1454OH651M	1073

2 SELECT A FINISH

"W" Veneer	"G" HPL	"M" TFL	Finish
WAC	-	-	Amber Cherry
WRC	-	-	Caramel Cherry
WIC	-	-	Crimson Cherry
WEC	-	-	Ebony Cherry
WHC	-	MHC	Honey Cherry
WOC	-	MOC	KoKo Cherry
WSC	-	-	Scotch Cherry
WAM	-	-	Alabaster Maple
WCM	-	-	Clear Maple
WWM	-	-	Wheat Maple
WEW	-	-	Executive Walnut
WRW	GRW	-	Gray Luster Walnut
WGW	-	MGW	Gunstock Walnut
WJW	-	-	Judicial Walnut
WNW	-	-	Natural Walnut
WTW	-	MTW	Studio Teak Walnut
WWP	-	MWL	Designer White

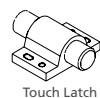
3 SELECT AN EDGE

Edge Profile Option Not Available

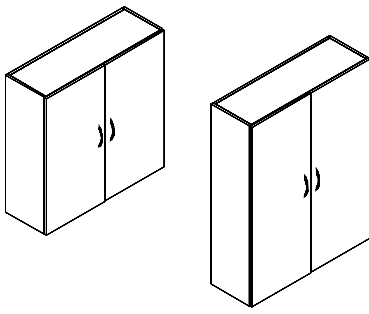
5 OPTIONS

- DOOR**
- D2: Door Lock - \$95 per Door
  - D9SC: Soft Close Door Hinges - \$15 per Door
  - DWF1: 2" Wood frame replaces SilverLuma Frame - n/c ("W" only)
  - DWF2: 2" Wood frame w/ pull replaces SilverLuma Frame - \$15 Per Door ("W" only)
  - WPD3061: Full fill designer white - \$75 per door
- INTERIOR CABINET LIGHT**
- LEDPK starter kit includes Infeed, 1 Puck Interior Light and the ability to daisy chain up to 6 total Puck Lights
- LEDPK: LED Puck Starter Kit - \$295
  - PK: 1 LED Interior Light - \$125 ea.
- OPEN PLAN**
- OPB: "W" "G" Style - Modify Unit for Open Plan Application - \$295
  - OPB: "M" Style - Modify Unit for Open Plan Application - \$95
- SHELVES**
- GS14H: Replace Standard Shelves with Glass Shelves - \$65 per Shelf - (behind silverluma door only)

4 SELECT HARDWARE



Touch Latch



**14" D PANEL DOORS / STORAGE**

**STANDARD FEATURES**

- 42" H Storage w/ 2 Finished adjustable shelves
- 54" H Storage w/ 3 Finished adjustable shelves
- Interior shelf depth 12"
- "W" styles - 42" H units finished top, 54" H units black painted top

**NOTES**

- Unit has black back panel and is not designed for Open Plan use. Select OPB Option for Open Plan application

[CLICK HERE TO VIEW PRODUCT INDEX](#)

**1 SELECT A STYLE**

DIMENSIONS		STYLE NUMBER	LIST PRICE	STYLE NUMBER	LIST PRICE	STYLE NUMBER	LIST PRICE
W" x D" x H"	WGT	"W" Veneer Top Veneer Chassis		"G" HPL High Pressure Laminate Top Veneer Chassis		"M" TFL Thermally Fused Laminate Top Thermally Fused Laminate Chassis	
41 x 14 x 42	150	CPC4142OH383W	1949	"G" option N/A		CPC4142OH383M	1060
35 x 14 x 42	130	CPC3542OH383W	1690	"G" option N/A		CPC3542OH383M	995
29 x 14 x 42	120	CPC2942OH383W	1624	"G" option N/A		CPC2942OH383M	965
41 x 14 x 54	165	CPC4154OH383W	2192	"G" option N/A		CPC4154OH383M	1165
35 x 14 x 54	145	CPC3554OH383W	2030	"G" option N/A		CPC3554OH383M	1100
29 x 14 x 54	135	CPC2954OH383W	1964	"G" option N/A		CPC2954OH383M	1070

**2 SELECT A FINISH**

"W" Veneer	"G" HPL	"M" TFL	Finish
WAC	-	-	Amber Cherry
WRC	-	-	Caramel Cherry
WIC	-	-	Crimson Cherry
WEC	-	-	Ebony Cherry
WHC	-	MHC	Honey Cherry
WOC	-	MOC	KoKo Cherry
WSC	-	-	Scotch Cherry
WAM	-	-	Alabaster Maple
WCM	-	-	Clear Maple
WWM	-	-	Wheat Maple
WEW	-	-	Executive Walnut
WRW	GRW	-	Gray Luster Walnut
WGW	-	MGW	Gunstock Walnut
WJW	-	-	Judicial Walnut
WNW	-	-	Natural Walnut
WTW	-	MTW	Studio Teak Walnut
WWP	-	MWL	Designer White

**3 SELECT AN EDGE**

Edge Profile  
Option Not Available

**5 OPTIONS**

**DOOR**

- D2: Door Lock - \$95 per Door
- D6: Delete doors - n/c
- D9SC: Soft Close Door Hinges - \$15 per Door
- WPD3061: Full fill designer white - \$75 per door

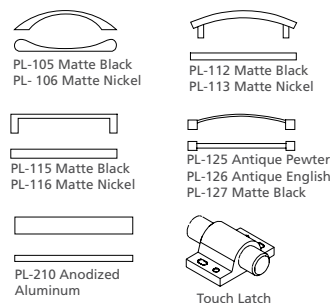
**OPEN PLAN**

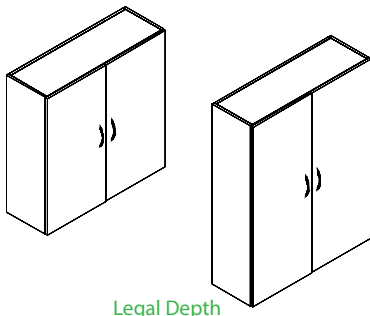
- OPB: "W" "G" Style - Modify Unit for Open Plan Application - \$295
- OPB: "M" Style - Modify Unit for Open Plan Application - \$95

**SHELVES**

- S714F: Replace Standard Shelf with Heavy Duty Lumber 1" Shelf - \$75 per Shelf ("M" Styles - n/a)

**4 SELECT HARDWARE**





Legal Depth

**18" D PANEL DOORS / STORAGE**

**STANDARD FEATURES**

- 42" H Storage w/ 2 Finished adjustable shelves
- 54" H Storage w/ 3 Finished adjustable shelves
- Interior shelf depth 16"
- "W" styles - 42" H units finished top, 54" H units black painted top

**NOTES**

- Unit has black back panel and is not designed for Open Plan use. Select OPB Option for Open Plan application

[CLICK HERE TO VIEW PRODUCT INDEX](#)

**1 SELECT A STYLE**

DIMENSIONS		STYLE NUMBER	LIST PRICE	STYLE NUMBER	LIST PRICE	STYLE NUMBER	LIST PRICE
"W" x D" x H"	WGT	"W" Veneer Top Veneer Chassis		"G" High Pressure Laminate Top Veneer Chassis		"M" Thermally Fused Laminate Top Thermally Fused Laminate Chassis	
41 x 18 x 42	150	CPC4142OH652W	2144	"G" option N/A		CPC4142OH652M	1166
35 x 18 x 42	130	CPC3542OH652W	1859	"G" option N/A		CPC3542OH652M	1095
29 x 18 x 42	120	CPC2942OH652W	1786	"G" option N/A		CPC2942OH652M	1062
41 x 18 x 54	165	CPC4154OH652W	2411	"G" option N/A		CPC4154OH652M	1282
35 x 18 x 54	145	CPC3554OH652W	2233	"G" option N/A		CPC3554OH652M	1210
29 x 18 x 54	135	CPC2954OH652W	2160	"G" option N/A		CPC2954OH652M	1177

**2 SELECT A FINISH**

"W" Veneer	"G" HPL	"M" TFL	Finish
WAC	-	-	Amber Cherry
WRC	-	-	Caramel Cherry
WIC	-	-	Crimson Cherry
WEC	-	-	Ebony Cherry
WHC	-	MHC	Honey Cherry
WOC	-	MOC	KoKo Cherry
WSC	-	-	Scotch Cherry
WAM	-	-	Alabaster Maple
WCM	-	-	Clear Maple
WWM	-	-	Wheat Maple
WEW	-	-	Executive Walnut
WRW	GRW	-	Gray Luster Walnut
WGW	-	MGW	Gunstock Walnut
WJW	-	-	Judicial Walnut
WNW	-	-	Natural Walnut
WTW	-	MTW	Studio Teak Walnut
WWP	-	MWL	Designer White

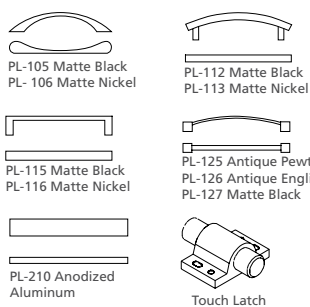
**3 SELECT AN EDGE**

Edge Profile  
Option Not Available

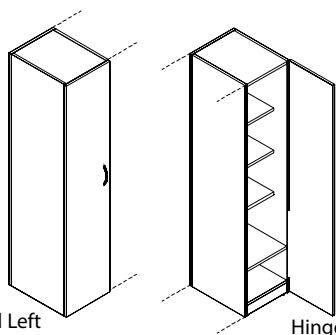
**5 OPTIONS**

- DOOR**
- D2: Door Lock - \$95 per Door
  - D6: Delete doors - n/c
  - D9SC: Soft Close Door Hinges - \$15 per Door
  - WPD3061: Full fill designer white - \$75 per door
- OPEN PLAN**
- OPB: "W" "G" Style - Modify Unit for Open Plan Application - \$295
  - OPB: "M" Style - Modify Unit for Open Plan Application - \$95
- SHELVES**
- S714F: Replace Standard Shelf with Heavy Duty Lumber 1" Shelf - \$75 per Shelf ("M" Styles - n/a)

**4 SELECT HARDWARE**







**STORAGE WARDROBE - PANEL DOOR**

**STANDARD FEATURES**

- 71" has 3 finished adjustable shelves/1 fixed
- 83" has 4 finished adjustable shelves/1 fixed
- Wardrobe w/ coat rod & hook
- "W" styles - 71" H units finished top, 83" H units black painted top

**NOTES**

- Unit has black back panel and is not designed for Open Plan use. Select OPB Option for Open Plan application

[CLICK HERE TO VIEW PRODUCT INDEX](#)

**1 SELECT A STYLE**

DIMENSIONS		STYLE NUMBER		LIST PRICE	STYLE NUMBER		LIST PRICE	STYLE NUMBER		LIST PRICE
W" x D" x H"	WGT	"W" Veneer	Veneer Top Veneer Chassis		"G" HPL	High Pressure Laminate Top Veneer Chassis		"M" TFL	Thermally Fused Laminate Top Thermally Fused Laminate Chassis	
<b>Door Hinged Left</b>										
16 x 24 x 71	175	CPC1671TW283W		2385	"G" option N/A			CPC1671TW283M		1165
16 x 24 x 83	190	CPC1683TW283W		2555	"G" option N/A			CPC1683TW283M		1320
<b>Door Hinged Right</b>										
16 x 24 x 71	175	CPC1671TW284W		2385	"G" option N/A			CPC1671TW284M		1165
16 x 24 x 83	190	CPC1683TW284W		2555	"G" option N/A			CPC1683TW284M		1320

**2 SELECT A FINISH**

"W" Veneer	"G" HPL	"M" TFL	Finish
WAC	-	-	Amber Cherry
WRC	-	-	Caramel Cherry
WIC	-	-	Crimson Cherry
WEC	-	-	Ebony Cherry
WHC	-	MHC	Honey Cherry
WOC	-	MOC	KoKo Cherry
WSC	-	-	Scotch Cherry
WAM	-	-	Alabaster Maple
WCM	-	-	Clear Maple
WWM	-	-	Wheat Maple
WEW	-	-	Executive Walnut
WRW	GRW	-	Gray Luster Walnut
WGW	-	MGW	Gunstock Walnut
WJW	-	-	Judicial Walnut
WNW	-	-	Natural Walnut
WTW	-	MTW	Studio Teak Walnut
WWP	-	MWL	Designer White

**3 SELECT AN EDGE**

Edge Profile  
Option Not Available

**5 OPTIONS**

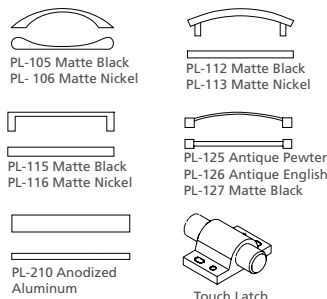
**DOOR**

- D2: Door lock - \$95
- D6: Delete doors - n/c
- D9SC: Soft Close Door Hinges - \$15 per Door
- WPD3061: Full fill designer white - \$75 per door

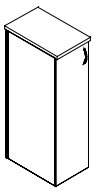
**OPEN PLAN**

- OPB: "W" "G" Style - Modify Unit for Open Plan Application - \$295
- OPB: "M" Style - Modify Unit for Open Plan Application - \$95

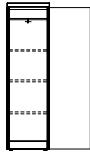
**4 SELECT HARDWARE**



WORKCENTER 54"H HALF TOWER COMPONENTS



Hinged Left



Hinged Right

WARDROBE -PANEL DOOR

STANDARD FEATURES

- 3 finished adjustable shelves
- Finished back - open plan
- Unit has finished top
- Wardrobe w/ coat rod & hook

NOTES

- All units are standard w/ flush ends
- Sits on floor. Not meant for overhead.

[CLICK HERE TO VIEW PRODUCT INDEX](#)

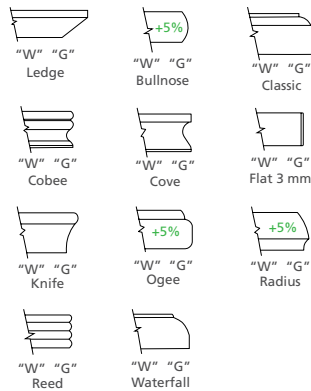
1 SELECT A STYLE

DIMENSIONS		STYLE NUMBER	LIST PRICE	STYLE NUMBER	LIST PRICE	STYLE NUMBER	LIST PRICE
W" x D" x H"	WGT	"W" Veneer Veneer Top Veneer Chassis		"G" HPL High Pressure Laminate Top Veneer Chassis		"M" TFL Thermally Fused Laminate Top Thermally Fused Laminate Chassis	
<b>Hinged Left</b>							
16 x 24 x 54	100	CPC1654WC546W	1444	CPC1654WC546G	1444	CPC1654WC546M	1070
<b>Hinged Right</b>							
16 x 24 x 54	100	CPC1654WC547W	1444	CPC1654WC547G	1444	CPC1654WC547M	1070

2 SELECT A FINISH

"W" Veneer	"G" HPL	"M" TFL	
WAC	GAC	-	Amber Cherry
WRC	-	-	Caramel Cherry
WIC	GIC	-	Crimson Cherry
WEC	-	-	Ebony Cherry
WHC	GHC	MHC	Honey Cherry
WOC	GOC	MOC	KoKo Cherry
WSC	-	-	Scotch Cherry
WAM	GAM	-	Alabaster Maple
WCM	GCM	-	Clear Maple
WWM	GWM	-	Wheat Maple
WEW	GEW	-	Executive Walnut
WRW	GRW	-	Gray Luster Walnut
WGW	-	MGW	Gunstock Walnut
WJW	-	-	Judicial Walnut
WNW	GNW	-	Natural Walnut
WTW	GTW	MTW	Studio Teak Walnut
WWP	GWL	MWL	Designer White

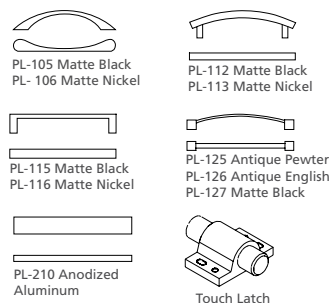
3 SELECT AN EDGE



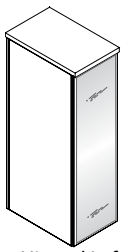
5 OPTIONS

- DOOR
- D2: Door lock - \$95
  - D6: Delete doors - n/c
  - D9SC: Soft Close Door Hinges - \$15 per Door
  - WPD3061: Full fill designer white - \$75 per door

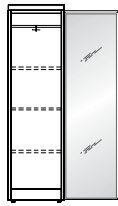
4 SELECT HARDWARE



WORKCENTER 54"H HALF TOWER COMPONENTS



Hinged Left



Hinged Right

WARDROBE - SILVER LUMA DOOR

STANDARD FEATURES

- 3 finished adjustable shelves
- Finished back - open plan
- Unit has finished top
- Wardrobe w/ coat rod & hook

NOTES

- All units are standard w/ flush ends
- Sits on floor. Not meant for overhead.
- Touch latch standard

[CLICK HERE TO VIEW PRODUCT INDEX](#)

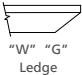








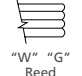

1 SELECT A STYLE

DIMENSIONS		STYLE NUMBER	LIST PRICE	STYLE NUMBER	LIST PRICE	STYLE NUMBER	LIST PRICE
W" x D" x H"	WGT	"W" Veneer Veneer Top Veneer Chassis		"G" HPL High Pressure Laminate Top Veneer Chassis		"M" TFL Thermally Fused Laminate Top Thermally Fused Laminate Chassis	
<b>Hinged Left</b>							
16 x 24 x 54	100	CPC1654WC396W	1558	CPC1654WC396G	1558	CPC1654WC396M	1305
<b>Hinged Right</b>							
16 x 24 x 54	100	CPC1654WC397W	1558	CPC1654WC397G	1558	CPC1654WC397M	1305

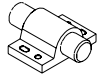
2 SELECT A FINISH

"W" Veneer	"G" HPL	"M" TFL	Finish
WAC	GAC	-	Amber Cherry
WRC	-	-	Caramel Cherry
WIC	GIC	-	Crimson Cherry
WEC	-	-	Ebony Cherry
WHC	GHC	MHC	Honey Cherry
WOC	GOC	MOC	KoKo Cherry
WSC	-	-	Scotch Cherry
WAM	GAM	-	Alabaster Maple
WCM	GCM	-	Clear Maple
WWM	GWM	-	Wheat Maple
WEW	GEW	-	Executive Walnut
WRW	GRW	-	Gray Luster Walnut
WGW	-	MGW	Gunstock Walnut
WJW	-	-	Judicial Walnut
WNW	GNW	-	Natural Walnut
WTW	GTW	MTW	Studio Teak Walnut
WWP	GWL	MWL	Designer White

3 SELECT AN EDGE

 "W" "G" Ledge	 "W" "G" Bullnose	 "W" "G" Classic
 "W" "G" Cobee	 "W" "G" Cove	 "W" "G" Flat 3 mm
 "W" "G" Knife	 "W" "G" Ogee	 "W" "G" Radius
 "W" "G" Reed	 "W" "G" Waterfall	

4 SELECT HARDWARE

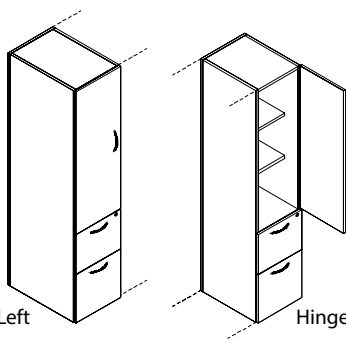
  
Touch Latch

5 OPTIONS

- DOOR**
- D2: Door lock - \$95
  - D9SC: Soft Close Door Hinges - \$15 per Door
  - WPD3061: Full fill designer white - \$75 per door

- INTERIOR CABINET LIGHT**
- LEDPK starter kit includes Infeed, 1 Puck Interior Light and the ability to daisy chain up to 6 total Puck Lights
- LEDPK: LED Puck Starter Kit - \$295 ea.

- SHELVES**
- GS14H: Replace Standard Shelves with Glass Shelves - \$65 per Shelf



Hinged Left

Hinged Right

**STORAGE / FILE - PANEL DOOR**

**STANDARD FEATURES**

- 71" has 2 finished adjustable shelves
- 83" has 3 finished adjustable shelves
- Full extension drawers - locking
- Soft close suspension drawer(s)
- Wardrobe w/ storage at top with adjustable shelves
- "W" styles - 71" H units finished top, 83" H units black painted top

- All units are standard w/ flush ends
- Unit has black back panel and is not designed for Open Plan use. Select OPB Option for Open Plan application

**NOTES**

[CLICK HERE TO VIEW PRODUCT INDEX](#)

**1 SELECT A STYLE**

DIMENSIONS		STYLE NUMBER	LIST PRICE	STYLE NUMBER	LIST PRICE	STYLE NUMBER	LIST PRICE
W" x D" x H"	WGT	"W" Veneer Veneer Top Veneer Chassis		"G" HPL High Pressure Laminate Top Veneer Chassis		"M" TFL Thermally Fused Laminate Top Thermally Fused Laminate Chassis	
<b>Door Hinged Left</b>							
16 x 24 x 71	195	CPC1671TW291W	2796	"G" option N/A		CPC1671TW291M	1445
16 x 24 x 83	210	CPC1683TW291W	2967	"G" option N/A		CPC1683TW291M	1605
<b>Door Hinged Right</b>							
16 x 24 x 71	195	CPC1671TW292W	2796	"G" option N/A		CPC1671TW292M	1445
16 x 24 x 83	210	CPC1683TW292W	2967	"G" option N/A		CPC1683TW292M	1605

**2 SELECT A FINISH**

"W" Veneer	"G" HPL	"M" TFL	
WAC	-	-	Amber Cherry
WRC	-	-	Caramel Cherry
WIC	-	-	Crimson Cherry
WEC	-	-	Ebony Cherry
WHC	-	MHC	Honey Cherry
WOC	-	MOC	KoKo Cherry
WSC	-	-	Scotch Cherry
WAM	-	-	Alabaster Maple
WCM	-	-	Clear Maple
WWM	-	-	Wheat Maple
WEW	-	-	Executive Walnut
WRW	GRW	-	Gray Luster Walnut
WGW	-	MGW	Gunstock Walnut
WJW	-	-	Judicial Walnut
WNW	-	-	Natural Walnut
WTW	-	MTW	Studio Teak Walnut
WWP	-	MWL	Designer White

**3 SELECT AN EDGE**

Edge Profile  
Option Not Available

**5 OPTIONS**

**DOOR**

- D2: Door lock - \$95
- D6: Delete doors - n/c
- D9SC: Soft Close Door Hinges - \$15 per Door
- WPD3061: Full fill designer white - \$75 per door

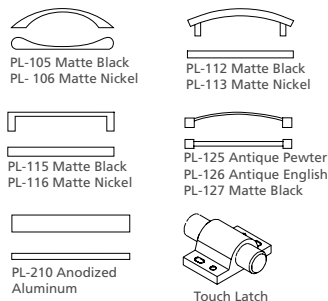
**DRAWER**

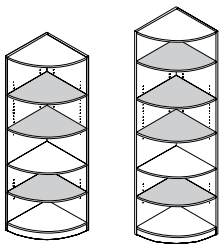
- P6: Modify File/File to Box/Box/File - \$50 per pedestal
- P33: Wood Drawer Upgrade - \$40 per drawer
- WPD3061: Full fill designer white - \$75 per pedestal

**OPEN PLAN**

- OPB: "W" "G" Style - Modify Unit for Open Plan Application - \$295
- OPB: "M" Style - Modify Unit for Open Plan Application - \$95

**4 SELECT HARDWARE**





**CORNER TOWER**

**STANDARD FEATURES**

- Can be used Left or Right
- Finished back - open plan
- "W" styles - 71" H units finished top, 83" H units black painted top

**NOTES**

- Adjustable shelves shaded

[CLICK HERE TO VIEW PRODUCT INDEX](#)

**1 SELECT A STYLE**

DIMENSIONS		STYLE NUMBER	LIST PRICE	STYLE NUMBER	LIST PRICE	STYLE NUMBER	LIST PRICE
W" x D" x H"	WGT	"W" Veneer Top Veneer Chassis		"G" High Pressure Laminate Top Veneer Chassis		"M" Thermally Fused Laminate Top Thermally Fused Laminate Chassis	
23 x 24 x 71	120	CPC2471TW298W	1607	"G" option N/A		CPC2471TW298M	1080
23 x 24 x 83	135	CPC2483TW298W	1777	"G" option N/A		CPC2483TW298M	1170

**2 SELECT A FINISH**

"W" Veneer	"G" HPL	"M" TFL	Finish
WAC	-	-	Amber Cherry
WRC	-	-	Caramel Cherry
WIC	-	-	Crimson Cherry
WEC	-	-	Ebony Cherry
WHC	-	MHC	Honey Cherry
WOC	-	MOC	KoKo Cherry
WSC	-	-	Scotch Cherry
WAM	-	-	Alabaster Maple
WCM	-	-	Clear Maple
WWM	-	-	Wheat Maple
WEW	-	-	Executive Walnut
WRW	GRW	-	Gray Luster Walnut
WGW	-	MGW	Gunstock Walnut
WJW	-	-	Judicial Walnut
WNW	-	-	Natural Walnut
WTW	-	MTW	Studio Teak Walnut
WWP	-	MWL	Designer White

**3 SELECT AN EDGE**

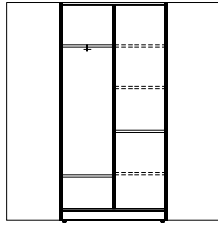
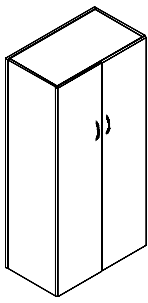
Edge Profile  
Option Not Available

**5 OPTIONS**

- INTERIOR CABINET LIGHT**  
LEDPK starter kit includes Infeed, 1 Puck Interior Light and the ability to daisy chain up to 6 total Puck Lights
- LEDPK: LED Puck Starter Kit - \$295
  - PK: 1 LED Interior Light - \$125 ea.
- SHELVES**
- GS14H: Replace Standard Shelves with Glass Shelves - \$65 per Shelf

**4 SELECT HARDWARE**

Hardware  
Option Not Available



**WARDROBE**

**STANDARD FEATURES**

- 71" has 3 finished adjustable shelves, 2 fixed shelves
- 83" has 4 finished adjustable shelves, 2 fixed shelves
- Wardrobe w/ coat rod & hook
- "W" styles - 71" H units finished top, 83" H units black painted top

for Open Plan use. Select OPB Option for Open Plan application

**NOTES**

- Unit has black back panel and is not designed

[CLICK HERE TO VIEW PRODUCT INDEX](#)

**1 SELECT A STYLE**

DIMENSIONS		STYLE NUMBER	LIST PRICE	STYLE NUMBER	LIST PRICE	STYLE NUMBER	LIST PRICE
W" x D" x H"	WGT	"W" Veneer Top Veneer Chassis		"G" High Pressure Laminate Top Veneer Chassis		"M" Thermally Fused Laminate Top Thermally Fused Laminate Chassis	
35 x 24 x 71	285	CPC3571TW275W	3562	"G" option N/A		CPC3571TW275M	1625
29 x 24 x 71	240	CPC2971TW275W	3313	"G" option N/A		CPC2971TW275M	1570
35 x 24 x 83	310	CPC3583TW275W	3788	"G" option N/A		CPC3583TW275M	1835
29 x 24 x 83	265	CPC2983TW275W	3540	"G" option N/A		CPC2983TW275M	1775

**2 SELECT A FINISH**

"W" Veneer	"G" HPL	"M" TFL	Finish
WAC	-	-	Amber Cherry
WRC	-	-	Caramel Cherry
WIC	-	-	Crimson Cherry
WEC	-	-	Ebony Cherry
WHC	-	MHC	Honey Cherry
WOC	-	MOC	KoKo Cherry
WSC	-	-	Scotch Cherry
WAM	-	-	Alabaster Maple
WCM	-	-	Clear Maple
WWM	-	-	Wheat Maple
WEW	-	-	Executive Walnut
WRW	GRW	-	Gray Luster Walnut
WGW	-	MGW	Gunstock Walnut
WJW	-	-	Judicial Walnut
WNW	-	-	Natural Walnut
WTW	-	MTW	Studio Teak Walnut
WWP	-	MWL	Designer White

**3 SELECT AN EDGE**

Edge Profile  
Option Not Available

**5 OPTIONS**

**DOOR**

- D2: Door Lock - \$95 per Door
- D6: Delete doors - n/c
- D9SC: Soft Close Door Hinges - \$15 per Door
- WPD3061: Full fill designer white - \$75 per door

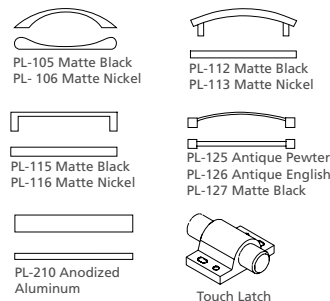
**OPEN PLAN**

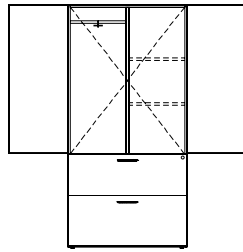
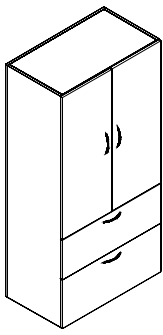
- OPB: "W" "G" Style - Modify Unit for Open Plan Application - \$295
- OPB: "M" Style - Modify Unit for Open Plan Application - \$95

**SHELVES**

- MOD31: 83" Delete center partition & add 1 fixed shelf, 4 adjustable shelves - \$295
- MOD31: 71" Delete center partition & add 1 fixed shelf, 3 adjustable shelves - \$295

**4 SELECT HARDWARE**





**STORAGE / FILE**

**STANDARD FEATURES**

- 71" has 2 finished adjustable shelves
- 83" has 3 finished adjustable shelves
- Full extension drawers - locking, legal-letter filing
- Soft close suspension drawer(s)
- Wardrobe w/ coat rod & hook
- "W" styles - 71" H units finished top, 83" H units black painted top

- Unit has black back panel and is not designed for Open Plan use. Select OPB Option for Open Plan application

**NOTES**

[CLICK HERE TO VIEW PRODUCT INDEX](#)

**1 SELECT A STYLE**

DIMENSIONS		STYLE NUMBER	LIST PRICE	STYLE NUMBER	LIST PRICE	STYLE NUMBER	LIST PRICE
W" x D" x H"	WGT	"W" Veneer Top Veneer Chassis		"G" High Pressure Laminate Top Veneer Chassis		"M" Thermally Fused Laminate Top Thermally Fused Laminate Chassis	
35 x 24 x 71	325	CPC3571TW281W	3942	"G" option N/A		CPC3571TW281M	1890
29 x 24 x 71	295	CPC2971TW281W	3765	"G" option N/A		CPC2971TW281M	1845
35 x 24 x 83	350	CPC3583TW281W	4169	"G" option N/A		CPC3583TW281M	2095
29 x 24 x 83	325	CPC2983TW281W	3992	"G" option N/A		CPC2983TW281M	2055

**2 SELECT A FINISH**

"W" Veneer	"G" HPL	"M" TFL	Finish
WAC	-	-	Amber Cherry
WRC	-	-	Caramel Cherry
WIC	-	-	Crimson Cherry
WEC	-	-	Ebony Cherry
WHC	-	MHC	Honey Cherry
WOC	-	MOC	KoKo Cherry
WSC	-	-	Scotch Cherry
WAM	-	-	Alabaster Maple
WCM	-	-	Clear Maple
WWM	-	-	Wheat Maple
WEW	-	-	Executive Walnut
WRW	GRW	-	Gray Luster Walnut
WGW	-	MGW	Gunstock Walnut
WJW	-	-	Judicial Walnut
WNW	-	-	Natural Walnut
WTW	-	MTW	Studio Teak Walnut
WWP	-	MWL	Designer White

**3 SELECT AN EDGE**

Edge Profile  
Option Not Available

**5 OPTIONS**

**DOOR**

- D2: Door Lock - \$95 per Door
- D6: Delete doors - n/c
- D9SC: Soft Close Door Hinges - \$15 per Door
- WPD3061: Full fill designer white - \$75 per door

**DRAWER**

- P33: Wood Drawer Upgrade - \$40 per drawer
- WPD3061: Full fill designer white - \$75 per door

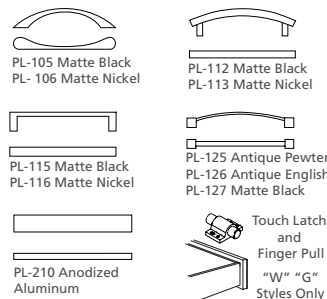
**OPEN PLAN**

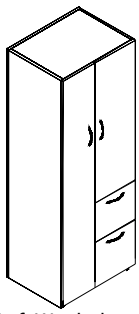
- OPB: "W" "G" Style - Modify Unit for Open Plan Application - \$295
- OPB: "M" Style - Modify Unit for Open Plan Application - \$95

**SHELVES**

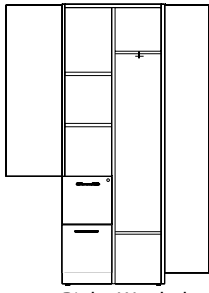
- MOD30: 83" Delete center partition & Add 3 full width shelves - \$295
- MOD30: 71" Delete center partition & Add 2 full width shelves - \$295

**4 SELECT HARDWARE**





Left Wardrobe



Right Wardrobe

**STORAGE / FILE - MINI-WARDROBE**

**STANDARD FEATURES**

- 71" has 2 finished adjustable shelves
- 83" has 3 finished adjustable shelves
- Full extension drawers - locking
- Soft close suspension drawer(s)
- Wardrobe w/ coat rod & hook
- "W" styles - 71" H units finished top, 83" H units black painted top

for Open Plan use. Select OPB Option for Open Plan application

**NOTES**

- Unit has black back panel and is not designed

[CLICK HERE TO VIEW PRODUCT INDEX](#)

**1 SELECT A STYLE**

DIMENSIONS		STYLE NUMBER	LIST PRICE	STYLE NUMBER	LIST PRICE	STYLE NUMBER	LIST PRICE
W" x D" x H"	WGT	"W" Veneer Top Veneer Chassis		"G" High Pressure Laminate Top Veneer Chassis		"M" Thermally Fused Laminate Top Thermally Fused Laminate Chassis	
<b>Wardrobe Left</b>							
26 x 24 x 71	250	CPC2671TW293W	3512	"G" option N/A		CPC2671TW293M	1635
26 x 24 x 83	275	CPC2683TW293W	3739	"G" option N/A		CPC2683TW293M	1842
<b>Wardrobe Right</b>							
26 x 24 x 71	250	CPC2671TW294W	3512	"G" option N/A		CPC2671TW294M	1635
26 x 24 x 83	275	CPC2683TW294W	3739	"G" option N/A		CPC2683TW294M	1842

**2 SELECT A FINISH**

"W" Veneer	"G" HPL	"M" TFL	Finish
WAC	-	-	Amber Cherry
WRC	-	-	Caramel Cherry
WIC	-	-	Crimson Cherry
WEC	-	-	Ebony Cherry
WHC	-	MHC	Honey Cherry
WOC	-	MOC	KoKo Cherry
WSC	-	-	Scotch Cherry
WAM	-	-	Alabaster Maple
WCM	-	-	Clear Maple
WWM	-	-	Wheat Maple
WEW	-	-	Executive Walnut
WRW	GRW	-	Gray Luster Walnut
WGW	-	MGW	Gunstock Walnut
WJW	-	-	Judicial Walnut
WNW	-	-	Natural Walnut
WTW	-	MTW	Studio Teak Walnut
WWP	-	MWL	Designer White

**3 SELECT AN EDGE**

Edge Profile  
Option Not Available

**5 OPTIONS**

**DOOR**

- D2: Door Lock - \$95 per Door
- D6: Delete doors - n/c
- D9SC: Soft Close Door Hinges - \$15 per Door
- WPD3061: Full fill designer white - \$75 per door

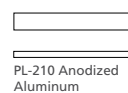
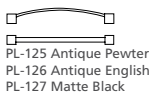
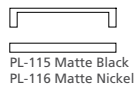
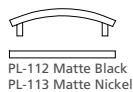
**DRAWER**

- P6: Modify File/File to Box/Box/File - \$50 per pedestal
- P33: Wood Drawer Upgrade - \$40 per drawer
- WPD3061: Full fill designer white - \$75 per door

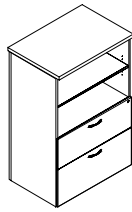
**OPEN PLAN**

- OPB: "W" "G" Style - Modify Unit for Open Plan Application - \$295
- OPB: "M" Style - Modify Unit for Open Plan Application - \$95

**4 SELECT HARDWARE**







LATERAL FILE X2 / OPEN STORAGE

STANDARD FEATURES

- Anti-tilt safety feature
- Finished back - open plan
- Finished top
- Legal/Letter filing
- Soft close suspension drawer(s)

NOTES

- All units are standard w/ flush ends

[CLICK HERE TO VIEW PRODUCT INDEX](#)

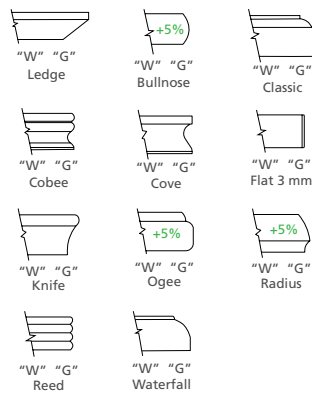
1 SELECT A STYLE

DIMENSIONS		STYLE NUMBER	LIST PRICE	STYLE NUMBER	LIST PRICE	STYLE NUMBER	LIST PRICE
W" x D" x H"	WGT	"W" Veneer Veneer Top Veneer Chassis		"G" HPL High Pressure Laminate Top Veneer Chassis		"M" TFL Thermally Fused Laminate Top Thermally Fused Laminate Chassis	
35 x 24 x 54	200	CPC3554WC282W	2203	CPC3554WC282G	2203	CPC3554WC282M	1550
31 x 24 x 54	195	CPC3154WC282W	2147	CPC3154WC282G	2147	CPC3154WC282M	1510
29 x 24 x 54	185	CPC2954WC282W	2097	CPC2954WC282G	2097	CPC2954WC282M	1475

2 SELECT A FINISH

"W" Veneer	"G" HPL	"M" TFL	Finish
WAC	GAC	-	Amber Cherry
WRC	-	-	Caramel Cherry
WIC	GIC	-	Crimson Cherry
WEC	-	-	Ebony Cherry
WHC	GHC	MHC	Honey Cherry
WOC	GOC	MOC	KoKo Cherry
WSC	-	-	Scotch Cherry
WAM	GAM	-	Alabaster Maple
WCM	GCM	-	Clear Maple
WWM	GWM	-	Wheat Maple
WEW	GEW	-	Executive Walnut
WRW	GRW	-	Gray Luster Walnut
WGW	-	MGW	Gunstock Walnut
WJW	-	-	Judicial Walnut
WNW	GNW	-	Natural Walnut
WTW	GTW	MTW	Studio Teak Walnut
WWP	GWL	MWL	Designer White

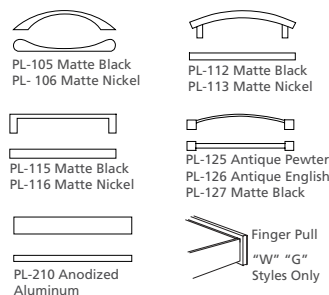
3 SELECT AN EDGE



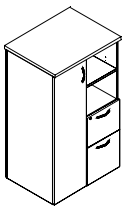
5 OPTIONS

- DOOR**  
- D12: PANEL DOOR for upper section- \$190
- DRAWER**  
- P33: Wood Drawer Upgrade - \$40 per drawer  
- WPD3061: Full fill designer white - \$75 per door
- SHELF**  
- S721F: 1" wood shelf 24" deep - \$95 each

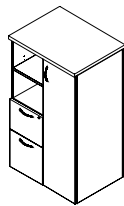
4 SELECT HARDWARE



**WORKCENTER 54" FULL TOWER COMPONENTS**



File/File Left



File/File Right

**FILE X2 / WARDROBE / OPEN STORAGE**

**STANDARD FEATURES**

- Finished back - open plan
- Finished top
- Full extension drawers - locking
- Legal/Letter filing
- Soft close suspension drawer(s)

**NOTES**

- All units are standard w/ flush ends

[CLICK HERE TO VIEW PRODUCT INDEX](#)

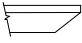

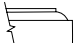



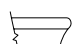
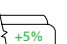


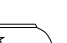
**1 SELECT A STYLE**

DIMENSIONS		STYLE NUMBER	LIST PRICE	STYLE NUMBER	LIST PRICE	STYLE NUMBER	LIST PRICE
W" x D" x H"	WGT	"W" Veneer Veneer Top Veneer Chassis		"G" HPL High Pressure Laminate Top Veneer Chassis		"M" TFL Thermally Fused Laminate Top Thermally Fused Laminate Chassis	
<b>File Left</b>							
31 x 24 x 54	220	CPC3154WC448W	2210	CPC3154WC448G	2210	CPC3154WC448M	1550
<b>File Right</b>							
31 x 24 x 54	220	CPC3154WC449W	2210	CPC3154WC449G	2210	CPC3154WC449M	1550



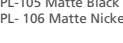
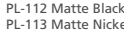
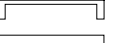
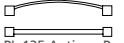


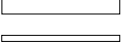

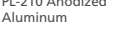
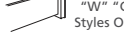
**2 SELECT A FINISH**

"W" Veneer	"G" HPL	"M" TFL	Finish
WAC	GAC	-	Amber Cherry
WRC	-	-	Caramel Cherry
WIC	GIC	-	Crimson Cherry
WEC	-	-	Ebony Cherry
WHC	GHC	MHC	Honey Cherry
WOC	GOC	MOC	KoKo Cherry
WSC	-	-	Scotch Cherry
WAM	GAM	-	Alabaster Maple
WCM	GCM	-	Clear Maple
WWM	GWM	-	Wheat Maple
WEW	GEW	-	Executive Walnut
WRW	GRW	-	Gray Luster Walnut
WGW	-	MGW	Gunstock Walnut
WJW	-	-	Judicial Walnut
WNW	GNW	-	Natural Walnut
WTW	GTW	MTW	Studio Teak Walnut
WWP	GWL	MWL	Designer White

**3 SELECT AN EDGE**

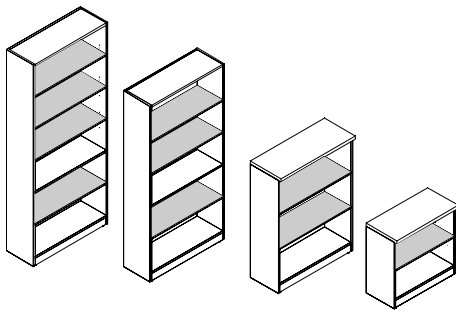
 "W" "G" Ledge	 "W" "G" Bullnose	 "W" "G" Classic
 "W" "G" Cobee	 "W" "G" Cove	 "W" "G" Flat 3 mm
 "W" "G" Knife	 "W" "G" Ogee	 "W" "G" Radius
 "W" "G" Reed	 "W" "G" Waterfall	

**4 SELECT HARDWARE**

 PL-105 Matte Black	 PL-112 Matte Black
 PL-106 Matte Nickel	 PL-113 Matte Nickel
 PL-115 Matte Black	 PL-125 Antique Pewter
 PL-116 Matte Nickel	 PL-126 Antique English
 PL-127 Matte Black	 Touch Latch and Finger Pull
 PL-210 Anodized Aluminum	 "W" "G" Styles Only

**5 OPTIONS**

- DOOR**
- D2: Door Lock - \$95 per Door
  - D6: Delete doors - n/c
  - D9SC: Soft Close Door Hinges - \$15 per Door
  - WPD3061: Full fill designer white - \$75 per door
- DRAWER**
- P6: Modify File/File to Box/Box/File - \$50 per pedestal
  - P33: Wood Drawer Upgrade - \$40 per drawer
  - WPD3061: Full fill designer white - \$75 per door



**14" D OPEN BOOKCASE**

**STANDARD FEATURES**

- 3/4" Thick finished shelves standard
- Interior shelf depth 12"
- "W" styles - 29", 48", and 71" H units finished top, 83" H units black painted top

- height is desired, choose CPC3524CA125W or CPC2924CA125W with D6A option
- Adjustable shelves shaded
- Only 30.75" and 48"H units have profile edge/shaped top
- Unit has black back panel and is not designed for Open Plan use. Select OPB Option for Open Plan application

**NOTES**

- 30.75"H Open Bookcases are NOT meant to gang with desks, returns and credenzas. Unit is higher than regular worksurfaces to allow double binder storage. If matching

[CLICK HERE TO VIEW PRODUCT INDEX](#)

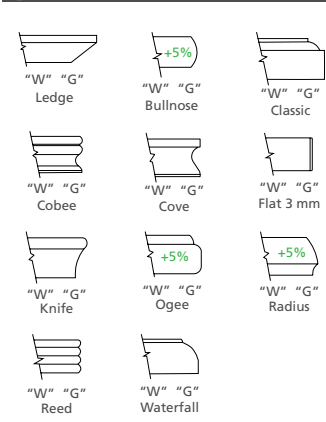
**1 SELECT A STYLE**

DIMENSIONS		STYLE NUMBER	LIST PRICE	STYLE NUMBER	LIST PRICE	STYLE NUMBER	LIST PRICE
W" x D" x H"	WGT	"W" Veneer Top Veneer Chassis		"G" HPL High Pressure Laminate Top Veneer Chassis		"M" TFL Thermally Fused Laminate Top Thermally Fused Laminate Chassis	
<b>35" Width</b>							
35 x 14 x 83	180	CPC3583BK250W	1979	"G" option N/A		CPC3583BK250M	1145
35 x 14 x 71	160	CPC3571BK250W	1812	"G" option N/A		CPC3571BK250M	1055
35 x 14 x 48	125	CPC3548BK250W	1474	CPC3548BK250G	1474	CPC3548BK250M	890
35 x 14 x 30.75	115	CPC3530BK250W	1322	CPC3530BK250G	1322	CPC3530BK250M	680
<b>29" Width</b>							
29 x 14 x 83	160	CPC2983BK250W	1844	"G" option N/A		CPC2983BK250M	1120
29 x 14 x 71	140	CPC2971BK250W	1678	"G" option N/A		CPC2971BK250M	1035
29 x 14 x 48	105	CPC2948BK250W	1340	CPC2948BK250G	1340	CPC2948BK250M	870
29 x 14 x 30.75	90	CPC2930BK250W	1187	CPC2930BK250G	1187	CPC2930BK250M	640

**2 SELECT A FINISH**

"W" Veneer	"G" HPL	"M" TFL	Finish
WAC	GAC	-	Amber Cherry
WRC	-	-	Caramel Cherry
WIC	GIC	-	Crimson Cherry
WEC	-	-	Ebony Cherry
WHC	GHC	MHC	Honey Cherry
WOC	GOC	MOC	KoKo Cherry
WSC	-	-	Scotch Cherry
WAM	GAM	-	Alabaster Maple
WCM	GCM	-	Clear Maple
WWM	GWM	-	Wheat Maple
WEW	GEW	-	Executive Walnut
WRW	GRW	-	Gray Luster Walnut
WGW	-	MGW	Gunstock Walnut
WJW	-	-	Judicial Walnut
WNW	GNW	-	Natural Walnut
WTW	GTW	MTW	Studio Teak Walnut
WWP	GWL	MWL	Designer White

**3 SELECT AN EDGE**



**5 OPTIONS**

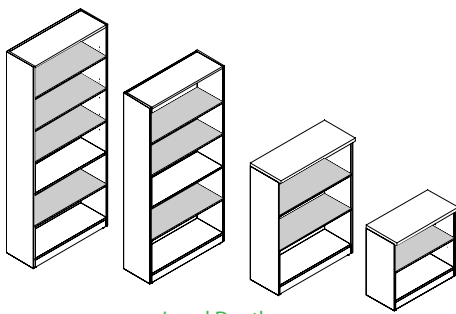
**INTERIOR CABINET LIGHT**  
 LEDPK starter kit includes Infeed, 1 Puck Interior Light and the ability to daisy chain up to 6 total Puck Lights  
 - LEDPK: LED Puck Starter Kit - \$295  
 - PK: 1 LED Interior Light - \$125 ea.

**OPEN PLAN**  
 - OPB: "W" "G" Style - Modify Unit for Open Plan Application - \$295  
 - OPB: "M" Style - Modify Unit for Open Plan Application - \$95

**SHELVES**  
 - GS14F: Replace Standard Shelves with Glass Shelves - \$85 per Shelf  
 - S714F: Heavy Duty Lumber 1" Shelves - \$75 per Shelf ("M" Styles - n/a)

**4 SELECT HARDWARE**

Hardware Option Not Available



Legal Depth

**18" D OPEN BOOKCASE**

**STANDARD FEATURES**

- 3/4" Thick finished shelves standard
- Interior shelf depth 16"
- "W" styles - 29", 48", and 71" H units finished top, 83" H units black painted top

- height is desired, choose CPC3524CA125W or CPC2924CA125W with D6A option
- Adjustable shelves shaded
- Only 30.75" and 48"H units have profile edge/shaped top
- Unit has black back panel and is not designed for Open Plan use. Select OPB Option for Open Plan application

**NOTES**

- 30.75"H Open Bookcases are NOT meant to gang with desks, returns and credenzas. Unit is higher than regular worksurfaces to allow double binder storage. If matching

[CLICK HERE TO VIEW PRODUCT INDEX](#)

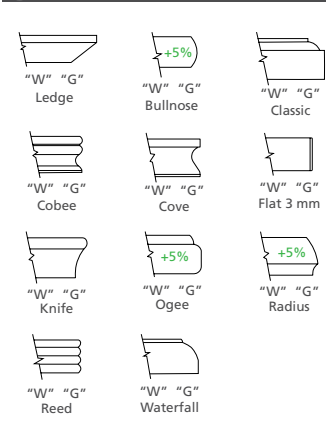
**1 SELECT A STYLE**

DIMENSIONS		STYLE NUMBER	LIST PRICE	STYLE NUMBER	LIST PRICE	STYLE NUMBER	LIST PRICE
W" x D" x H"	WGT	"W" Veneer Top Veneer Chassis		"G" HPL High Pressure Laminate Top Veneer Chassis		"M" TFL Thermally Fused Laminate Top Thermally Fused Laminate Chassis	
<b>35" Width</b>							
35 x 18 x 83	180	CPC3583BK246W	2177	"G" option N/A		CPC3583BK246M	1260
35 x 18 x 71	160	CPC3571BK246W	1993	"G" option N/A		CPC3571BK246M	1161
35 x 18 x 48	125	CPC3548BK246W	1621	CPC3548BK246G	1621	CPC3548BK246M	979
35 x 18 x 30.75	115	CPC3530BK246W	1454	CPC3530BK246G	1454	CPC3530BK246M	748
<b>29" Width</b>							
29 x 18 x 83	160	CPC2983BK246W	2028	"G" option N/A		CPC2983BK246M	1232
29 x 18 x 71	140	CPC2971BK246W	1846	"G" option N/A		CPC2971BK246M	1139
29 x 18 x 48	105	CPC2948BK246W	1474	CPC2948BK246G	1474	CPC2948BK246M	957
29 x 18 x 30.75	90	CPC2930BK246W	1306	CPC2930BK246G	1306	CPC2930BK246M	704

**2 SELECT A FINISH**

"W" Veneer	"G" HPL	"M" TFL	Finish
WAC	GAC	-	Amber Cherry
WRC	-	-	Caramel Cherry
WIC	GIC	-	Crimson Cherry
WEC	-	-	Ebony Cherry
WHC	GHC	MHC	Honey Cherry
WOC	GOC	MOC	KoKo Cherry
WSC	-	-	Scotch Cherry
WAM	GAM	-	Alabaster Maple
WCM	GCM	-	Clear Maple
WWM	GWM	-	Wheat Maple
WEW	GEW	-	Executive Walnut
WRW	GRW	-	Gray Luster Walnut
WGW	-	MGW	Gunstock Walnut
WJW	-	-	Judicial Walnut
WNW	GNW	-	Natural Walnut
WTW	GTW	MTW	Studio Teak Walnut
WWP	GWL	MWL	Designer White

**3 SELECT AN EDGE**



**5 OPTIONS**

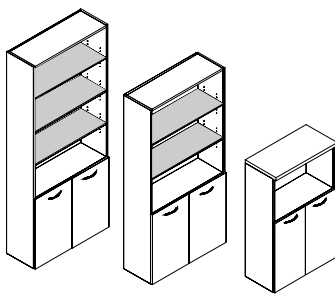
**INTERIOR CABINET LIGHT**  
 LEDPK starter kit includes Infeed, 1 Puck Interior Light and the ability to daisy chain up to 6 total Puck Lights  
 - LEDPK: LED Puck Starter Kit - \$295  
 - PK: 1 LED Interior Light - \$125 ea.

**OPEN PLAN**  
 - OPB: "W" "G" Style - Modify Unit for Open Plan Application - \$295  
 - OPB: "M" Style - Modify Unit for Open Plan Application - \$95

**SHELVES**  
 - GS14F: Replace Standard Shelves with Glass Shelves - \$85 per Shelf  
 - S714F: Heavy Duty Lumber 1" Shelves - \$75 per Shelf ("M" Styles - n/a)

**4 SELECT HARDWARE**

Hardware Option Not Available



**14" D BOOKCASE W/ DOORS**

**STANDARD FEATURES**

- 3/4" Thick finished adjustable shelves standard
- Finished shelves
- Interior cabinet depth 12.5"
- Interior shelf depth 12"
- Pulls standard
- "W" styles - 48", 71" H units finished top, 83" H units black painted top

- Unit has black back panel and is not designed for Open Plan use. Select OPB Option for Open Plan application

**NOTES**

- Only 48"H units have profile edge/ shaped top

[CLICK HERE TO VIEW PRODUCT INDEX](#)

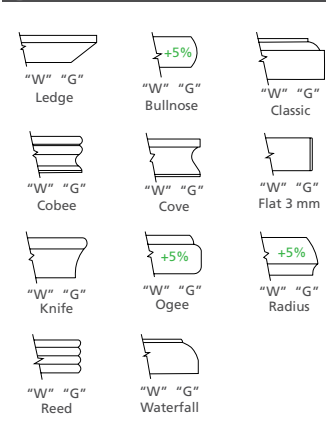
**1 SELECT A STYLE**

DIMENSIONS		STYLE NUMBER	LIST PRICE	STYLE NUMBER	LIST PRICE	STYLE NUMBER	LIST PRICE
W" x D" x H"	WGT	"W" Veneer Top Veneer Chassis		"G" High Pressure Laminate Top Veneer Chassis		"M" Thermally Fused Laminate Top Thermally Fused Laminate Chassis	
		<b>35" Width</b>					
35 x 14 x 83	200	CPC3583BK251W	2297	"G" option N/A		CPC3583BK251M	1345
35 x 14 x 71	180	CPC3571BK251W	2124	"G" option N/A		CPC3571BK251M	1255
35 x 14 x 48	145	CPC3548BK251W	1787	CPC3548BK251G	1787	CPC3548BK251M	1090
<b>29" Width</b>							
29 x 14 x 83	180	CPC2983BK251W	2163	"G" option N/A		CPC2983BK251M	1320
29 x 14 x 71	160	CPC2971BK251W	1991	"G" option N/A		CPC2971BK251M	1235
29 x 14 x 48	125	CPC2948BK251W	1653	CPC2948BK251G	1653	CPC2948BK251M	1070

**2 SELECT A FINISH**

"W" Veneer	"G" HPL	"M" TFL	Finish
WAC	GAC	-	Amber Cherry
WRC	-	-	Caramel Cherry
WIC	GIC	-	Crimson Cherry
WEC	-	-	Ebony Cherry
WHC	GHC	MHC	Honey Cherry
WOC	GOC	MOC	KoKo Cherry
WSC	-	-	Scotch Cherry
WAM	GAM	-	Alabaster Maple
WCM	GCM	-	Clear Maple
WWM	GWM	-	Wheat Maple
WEW	GEW	-	Executive Walnut
WRW	GRW	-	Gray Luster Walnut
WGW	-	MGW	Gunstock Walnut
WJW	-	-	Judicial Walnut
WNW	GNW	-	Natural Walnut
WTW	GTW	MTW	Studio Teak Walnut
WWP	GWL	MWL	Designer White

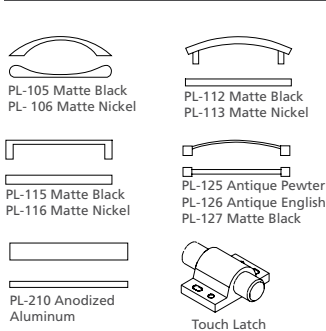
**3 SELECT AN EDGE**

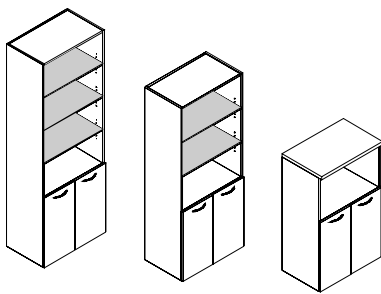


**5 OPTIONS**

- DOOR**
- D2: Door lock - \$95 per door set
  - D9SC: Soft Close Door Hinges - \$15 per Door
  - WPD3061: Full fill designer white - \$75 per door
- INTERIOR CABINET LIGHT**
- LEDPK starter kit includes Infeed, 1 Puck Interior Light and the ability to daisy chain up to 6 total Puck Lights
- LEDPK: LED Puck Starter Kit - \$295
  - PK: 1 LED Interior Light - \$125 ea.
- OPEN PLAN**
- OPB: "W" "G" Style - Modify Unit for Open Plan Application - \$295
  - OPB: "M" Style - Modify Unit for Open Plan Application - \$95
- SHELVES**
- GS14F: Replace Standard Shelves with Glass Shelves - \$85 per Shelf
  - S714F: Heavy Duty Lumber 1" Shelves - \$75 per Shelf ("M" Styles - n/a)

**4 SELECT HARDWARE**





Legal Depth

18"D BOOKCASE W/ DOORS

STANDARD FEATURES

- 3/4" Thick finished shelves standard
- 48", 71" H - Top is finished, 83" H - Black painted top
- Interior cabinet depth 16.5"
- Interior shelf depth 16"
- Pulls standard

for Open Plan use. Select OPB Option for Open Plan application

NOTES

- Only 48"H units have profile edge/ shaped top
- Unit has black back panel and is not designed

[CLICK HERE TO VIEW PRODUCT INDEX](#)

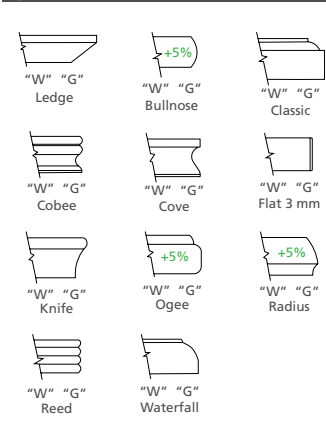
1 SELECT A STYLE

DIMENSIONS		STYLE NUMBER	LIST PRICE	STYLE NUMBER	LIST PRICE	STYLE NUMBER	LIST PRICE
W" x D" x H"	WGT	"W" Veneer Top Veneer Chassis		"G" High Pressure Laminate Top Veneer Chassis		"M" Thermally Fused Laminate Top Thermally Fused Laminate Chassis	
<b>35" Width</b>							
35 x 18 x 83	200	CPC3583BK247W	2527	"G" option N/A		CPC3583BK247M	1480
35 x 18 x 71	180	CPC3571BK247W	2336	"G" option N/A		CPC3571BK247M	1381
35 x 18 x 48	145	CPC3548BK247W	1966	CPC3548BK247G	1966	CPC3548BK247M	1199
<b>29" Width</b>							
29 x 18 x 83	180	CPC2983BK247W	2379	"G" option N/A		CPC2983BK247M	1452
29 x 18 x 71	160	CPC2971BK247W	2190	"G" option N/A		CPC2971BK247M	1359
29 x 18 x 48	125	CPC2948BK247W	1818	CPC2948BK247G	1818	CPC2948BK247M	1177

2 SELECT A FINISH

"W" Veneer	"G" HPL	"M" TFL	Finish
WAC	GAC	-	Amber Cherry
WRC	-	-	Caramel Cherry
WIC	GIC	-	Crimson Cherry
WEC	-	-	Ebony Cherry
WHC	GHC	MHC	Honey Cherry
WOC	GOC	MOC	KoKo Cherry
WSC	-	-	Scotch Cherry
WAM	GAM	-	Alabaster Maple
WCM	GCM	-	Clear Maple
WWM	GWM	-	Wheat Maple
WEW	GEW	-	Executive Walnut
WRW	GRW	-	Gray Luster Walnut
WGW	-	MGW	Gunstock Walnut
WJW	-	-	Judicial Walnut
WNW	GNW	-	Natural Walnut
WTW	GTW	MTW	Studio Teak Walnut
WWP	GWL	MWL	Designer White

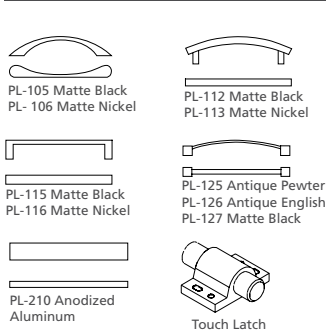
3 SELECT AN EDGE

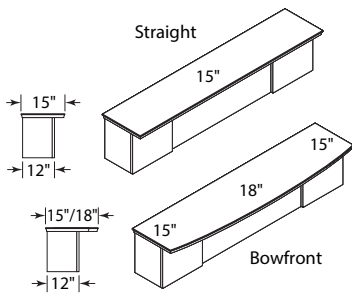


5 OPTIONS

- DOOR**
- D2: Door lock - \$95
  - D9SC: Soft Close Door Hinges - \$15 per Door
  - WPD3061: Full fill designer white - \$75 per door
- INTERIOR CABINET LIGHT**
- LEDPK starter kit includes Infeed, 1 Puck Interior Light and the ability to daisy chain up to 6 total Puck Lights
- LEDPK: LED Puck Starter Kit - \$295
  - PK: 1 LED Interior Light - \$125 ea.
- OPEN PLAN**
- OPB: "W" "G" Style - Modify Unit for Open Plan Application - \$295
  - OPB: "M" Style - Modify Unit for Open Plan Application - \$95
- SHELVES**
- GS14F: Replace Standard Shelves with Glass Shelves - \$85 per Shelf
  - S714F: Heavy Duty Lumber 1" Shelves - \$75 per Shelf ("M" Styles - n/a)

4 SELECT HARDWARE





**DESK COUNTER**

**STANDARD FEATURES**

- 3" Front overhang
- Adhesive tape secures sit-on panels to surface
- Countertop w/ profile edge standard all sides

**NOTES**

- For use on standard 29" H desks

[CLICK HERE TO VIEW PRODUCT INDEX](#)

**1 SELECT A STYLE**

DIMENSIONS		STYLE NUMBER	LIST PRICE	STYLE NUMBER	LIST PRICE	STYLE NUMBER	LIST PRICE
W" x D" x H"	WGT	"W" Veneer Top Veneer Chassis		"G" HPL High Pressure Laminate Top Veneer Chassis		"M" TFL Thermally Fused Laminate Top Thermally Fused Laminate Chassis	
<b>Straight Top</b>							
72 x 15 x 15	85	CPC7215RP914W	1582	CPC7215RP914G	1582	CPC7215RP914M	855
66 x 15 x 15	75	CPC6615RP914W	1551	CPC6615RP914G	1551	CPC6615RP914M	835
<b>Bowfront Top</b>							
72 x 15/18 x 15	90	CPC7218RP912W	1844	CPC7218RP912G	1844	CPC7218RP912M	995
66 x 15/18 x 15	80	CPC6618RP912W	1812	CPC6618RP912G	1812	CPC6618RP912M	975

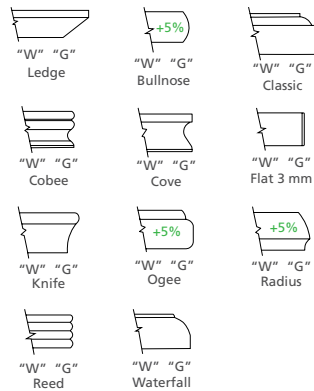
**C157R: Reception Counter Fabric (Choose Grade Below/Pricing Applies to All Sizes)**

COM	COL	1	2	3	4	5	6	7	8	9	10	11/ L1	12	13/ L2
201	N/A	280	320	360	400	440	480	520	560	600	640	680	720	800

**2 SELECT A FINISH**

"W" Veneer	"G" HPL	"M" TFL	
WAC	GAC	-	Amber Cherry
WRC	-	-	Caramel Cherry
WIC	GIC	-	Crimson Cherry
WEC	-	-	Ebony Cherry
WHC	GHC	MHC	Honey Cherry
WOC	GOC	MOC	KoKo Cherry
WSC	-	-	Scotch Cherry
WAM	GAM	-	Alabaster Maple
WCM	GCM	-	Clear Maple
WWM	GWM	-	Wheat Maple
WEW	GEW	-	Executive Walnut
WRW	GRW	-	Gray Luster Walnut
WGW	-	MGW	Gunstock Walnut
WJW	-	-	Judicial Walnut
WNW	GNW	-	Natural Walnut
WTW	GTW	MTW	Studio Teak Walnut
WWP	GWL	MWL	Designer White

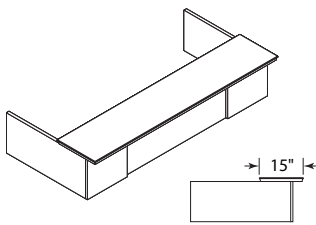
**3 SELECT AN EDGE**



**4 SELECT HARDWARE**

Hardware Option Not Available

**5 OPTIONS**



**DESK COUNTER W/ GALLERY & VENEER TOP**

**STANDARD FEATURES**

- 3" Front overhang
- Adhesive tape secures sit-on panels to surface
- Countertop w/ profile edge standard all sides

**NOTES**

- For use on standard 29" H desks

[CLICK HERE TO VIEW PRODUCT INDEX](#)

**1 SELECT A STYLE**

DIMENSIONS		STYLE NUMBER	LIST PRICE	STYLE NUMBER	LIST PRICE	STYLE NUMBER	LIST PRICE
W" x D" x H"	WGT	"W" Veneer Top Veneer Chassis		"G" HPL High Pressure Laminate Top Veneer Chassis		"M" TFL Thermally Fused Laminate Top Thermally Fused Laminate Chassis	
<b>Straight Top</b>							
72 x 36/15 x 15	95	CPC7236RP915W	1710	CPC7236RP915G	1710	CPC7236RP915M	960
72 x 30/15 x 15	90	CPC7230RP915W	1576	CPC7230RP915G	1576	CPC7230RP915M	885
66 x 30/15 x 15	85	CPC6630RP915W	1443	CPC6630RP915G	1443	CPC6630RP915M	810
<b>Bowfront Top</b>							
72 x 36/15 x 15	95	CPC7236RP913W	1979	CPC7236RP913G	1979	CPC7236RP913M	1110
72 x 30/15 x 15	90	CPC7230RP913W	1844	CPC7230RP913G	1844	CPC7230RP913M	1035
66 x 30/15 x 15	85	CPC6630RP913W	1710	CPC6630RP913G	1710	CPC6630RP913M	960

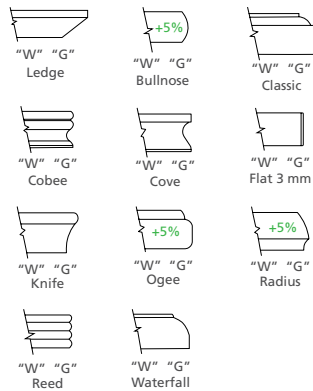
**C157R: Reception Counter Fabric (Choose Grade Below/Pricing Applies to All Sizes)**

COM	COL	1	2	3	4	5	6	7	8	9	10	11/ L1	12	13/ L2
201	N/A	280	320	360	400	440	480	520	560	600	640	680	720	800

**2 SELECT A FINISH**

"W" Veneer	"G" HPL	"M" TFL	
WAC	GAC	-	Amber Cherry
WRC	-	-	Caramel Cherry
WIC	GIC	-	Crimson Cherry
WEC	-	-	Ebony Cherry
WHC	GHC	MHC	Honey Cherry
WOC	GOC	MOC	KoKo Cherry
WSC	-	-	Scotch Cherry
WAM	GAM	-	Alabaster Maple
WCM	GCM	-	Clear Maple
WWM	GWM	-	Wheat Maple
WEW	GEW	-	Executive Walnut
WRW	GRW	-	Gray Luster Walnut
WGW	-	MGW	Gunstock Walnut
WJW	-	-	Judicial Walnut
WNW	GNW	-	Natural Walnut
WTW	GTW	MTW	Studio Teak Walnut
WWP	GWL	MWL	Designer White

**3 SELECT AN EDGE**

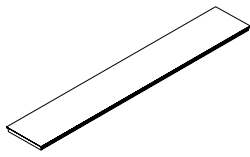


**4 SELECT HARDWARE**

Hardware Option Not Available

**5 OPTIONS**





# CENTRAL PARK RECEPTION DESK COUNTERTOPS

## 12" RECTANGLE OVERHANG COUNTER

### STANDARD FEATURES

- Ships assembled on desk
- Profile edge two long edges

### NOTES

- 3" Overhang
- For use on 42" H reception desk

[CLICK HERE TO VIEW PRODUCT INDEX](#)

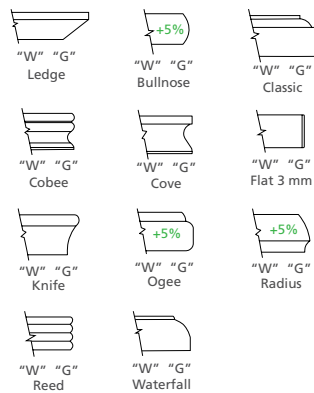
## 1 SELECT A STYLE

DIMENSIONS		STYLE NUMBER	LIST PRICE	STYLE NUMBER	LIST PRICE	STYLE NUMBER	LIST PRICE
W" x D" x H"	WGT	"W" Veneer Veneer Top Veneer Chassis		"G" HPL High Pressure Laminate Top Veneer Chassis		"M" TFL Thermally Fused Laminate Top Thermally Fused Laminate Chassis	
<b>Full Width Counter Top</b>							
84 x 12	40	CPC8412TC510W	1002	CPC8412TC510G	1002	CPC8412TC510M	520
72 x 12	35	CPC7212TC510W	867	CPC7212TC510G	867	CPC7212TC510M	505
66 x 12	30	CPC6612TC510W	837	CPC6612TC510G	837	CPC6612TC510M	490

## 2 SELECT A FINISH

"W" Veneer	"G" HPL	"M" TFL	
WAC	GAC	-	Amber Cherry
WRC	-	-	Caramel Cherry
WIC	GIC	-	Crimson Cherry
WEC	-	-	Ebony Cherry
WHC	GHC	MHC	Honey Cherry
WOC	GOC	MOC	KoKo Cherry
WSC	-	-	Scotch Cherry
WAM	GAM	-	Alabaster Maple
WCM	GCM	-	Clear Maple
WWM	GWM	-	Wheat Maple
WEW	GEW	-	Executive Walnut
WRW	GRW	-	Gray Luster Walnut
WGW	-	MGW	Gunstock Walnut
WJW	-	-	Judicial Walnut
WNW	GNW	-	Natural Walnut
WTW	GTW	MTW	Studio Teak Walnut
WWP	GWL	MWL	Designer White

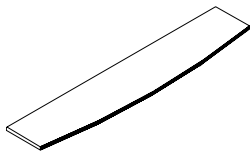
## 3 SELECT AN EDGE



## 5 OPTIONS

## 4 SELECT HARDWARE

Hardware  
Option Not  
Available



# CENTRAL PARK RECEPTION DESK COUNTERTOPS

## BOWFRONT OVERHANG COUNTER

### STANDARD FEATURES

- Ships assembled on desk
- Profile edge two long edges

### NOTES

- 3" /6" Overhang
- For use on 42" H reception desk

[CLICK HERE TO VIEW PRODUCT INDEX](#)

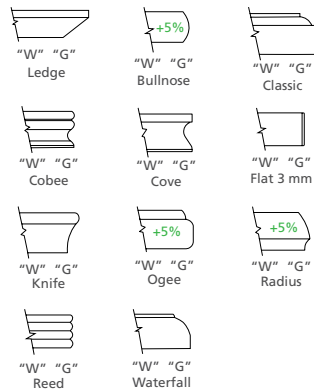
## 1 SELECT A STYLE

DIMENSIONS		STYLE NUMBER	LIST PRICE	STYLE NUMBER	LIST PRICE	STYLE NUMBER	LIST PRICE
W" x D" x H"	WGT	"W" Veneer Veneer Top Veneer Chassis		"G" HPL High Pressure Laminate Top Veneer Chassis		"M" TFL Thermally Fused Laminate Top Thermally Fused Laminate Chassis	
<b>Full Bowfront Top</b>							
84 x 12/15	50	CPC8415TC511W	1180	CPC8415TC511G	1180	CPC8415TC511M	595
72 x 12/15	45	CPC7215TC511W	1047	CPC7215TC511G	1047	CPC7215TC511M	580
66 x 12/15	40	CPC6615TC511W	1002	CPC6615TC511G	1002	CPC6615TC511M	565

## 2 SELECT A FINISH

"W" Veneer	"G" HPL	"M" TFL	
WAC	GAC	-	Amber Cherry
WRC	-	-	Caramel Cherry
WIC	GIC	-	Crimson Cherry
WEC	-	-	Ebony Cherry
WHC	GHC	MHC	Honey Cherry
WOC	GOC	MOC	KoKo Cherry
WSC	-	-	Scotch Cherry
WAM	GAM	-	Alabaster Maple
WCM	GCM	-	Clear Maple
WWM	GWM	-	Wheat Maple
WEW	GEW	-	Executive Walnut
WRW	GRW	-	Gray Luster Walnut
WGW	-	MGW	Gunstock Walnut
WJW	-	-	Judicial Walnut
WNW	GNW	-	Natural Walnut
WTW	GTW	MTW	Studio Teak Walnut
WWP	GWL	MWL	Designer White

## 3 SELECT AN EDGE



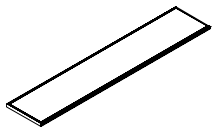
## 4 SELECT HARDWARE

Hardware  
Option Not  
Available

## 5 OPTIONS

### PLANK MATCH VENEER

- RPMV: Random Walnut Plank Match Veneer (Horizontal Grain with 25%+ Sap) - Add 10%. Specify any Walnut finish or Clear Walnut.



# CENTRAL PARK RECEPTION DESK COUNTERTOPS

## FLOATING OVERHANG COUNTER

### STANDARD FEATURES

- Ships assembled on desk or return
- Profile edge two long edges

### NOTES

- 5 -1/2" Overhang
- For use on 42" H reception desk

[CLICK HERE TO VIEW PRODUCT INDEX](#)

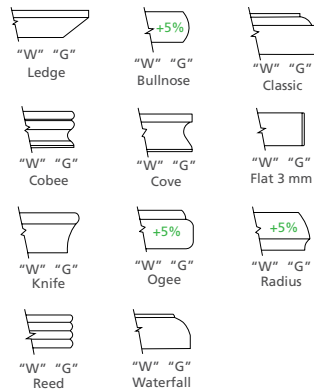
## 1 SELECT A STYLE

DIMENSIONS		STYLE NUMBER	LIST PRICE	STYLE NUMBER	LIST PRICE	STYLE NUMBER	LIST PRICE
W" x D" x H"	WGT	"W" Veneer Veneer Top Veneer Chassis		"G" HPL High Pressure Laminate Top Veneer Chassis		"M" TFL Thermally Fused Laminate Top Thermally Fused Laminate Chassis	
72 x 12	50	CPC7212TC512W	867	CPC7212TC512G	867	CPC7212TC512M	600
66 x 12	45	CPC6612TC512W	837	CPC6612TC512G	837	CPC6612TC512M	585
60 x 12	40	CPC6012TC512W	805	CPC6012TC512G	805	CPC6012TC512M	570
54 x 12	35	CPC5412TC512W	766	CPC5412TC512G	766	CPC5412TC512M	555
48 x 12	30	CPC4812TC512W	702	CPC4812TC512G	702	CPC4812TC512M	540
42 x 12	25	CPC4212TC512W	670	CPC4212TC512G	670	CPC4212TC512M	525

## 2 SELECT A FINISH

"W" Veneer	"G" HPL	"M" TFL	Finish
WAC	GAC	-	Amber Cherry
WRC	-	-	Caramel Cherry
WIC	GIC	-	Crimson Cherry
WEC	-	-	Ebony Cherry
WHC	GHC	MHC	Honey Cherry
WOC	GOC	MOC	KoKo Cherry
WSC	-	-	Scotch Cherry
WAM	GAM	-	Alabaster Maple
WCM	GCM	-	Clear Maple
WWM	GWM	-	Wheat Maple
WEW	GEW	-	Executive Walnut
WRW	GRW	-	Gray Luster Walnut
WGW	-	MGW	Gunstock Walnut
WJW	-	-	Judicial Walnut
WNW	GNW	-	Natural Walnut
WTW	GTW	MTW	Studio Teak Walnut
WWP	GWL	MWL	Designer White

## 3 SELECT AN EDGE



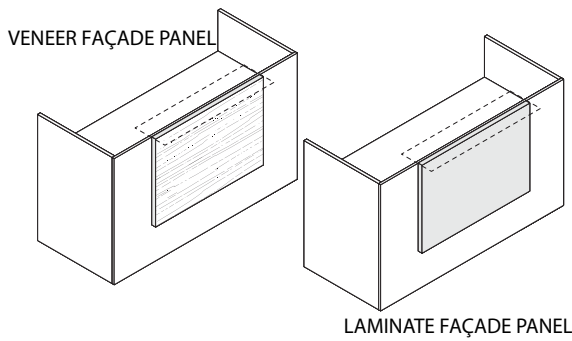
## 4 SELECT HARDWARE

Hardware  
Option Not  
Available

## 5 OPTIONS

### PLANK MATCH VENEER

- RPMV: Random Walnut Plank Match Veneer (Horizontal Grain with 25%+ Sap) - Add 10%. Specify any Walnut finish or Clear Walnut.



**FACADE PANEL**

**STANDARD FEATURES**

- Horizontal reverse slip pattern

**NOTES**

- Facade Panels Can Be Attached To Desks, Bridges, Returns and Credenzas
- For use on 42" H reception desk

[CLICK HERE TO VIEW PRODUCT INDEX](#)

**1 SELECT A STYLE**

DIMENSIONS		STYLE NUMBER	LIST PRICE	STYLE NUMBER	LIST PRICE	STYLE NUMBER	LIST PRICE
"W" x D" x H"	WGT	"W" Veneer Top Veneer Chassis		"G" HPL High Pressure Laminate Top Veneer Chassis		"M" TFL Thermally Fused Laminate Top Thermally Fused Laminate Chassis	
72 x 1 x 30	130	CPC7230FP700W	913	"G" option N/A		CPC7230FP700M	615
66 x 1 x 30	120	CPC6630FP700W	848	"G" option N/A		CPC6630FP700M	605
60 x 1 x 30	110	CPC6030FP700W	779	"G" option N/A		CPC6030FP700M	595
54 x 1 x 30	100	CPC5430FP700W	715	"G" option N/A		CPC5430FP700M	585
48 x 1 x 30	90	CPC4830FP700W	644	"G" option N/A		CPC4830FP700M	575
42 x 1 x 30	80	CPC4230FP700W	581	"G" option N/A		CPC4230FP700M	565

**2 SELECT A FINISH**

"W" Veneer	"G" HPL	"M" TFL	Finish
WAC	-	-	Amber Cherry
WRC	-	-	Caramel Cherry
WIC	-	-	Crimson Cherry
WEC	-	-	Ebony Cherry
WHC	-	MHC	Honey Cherry
WOC	-	MOC	KoKo Cherry
WSC	-	-	Scotch Cherry
WAM	-	-	Alabaster Maple
WCM	-	-	Clear Maple
WWM	-	-	Wheat Maple
WEW	-	-	Executive Walnut
WRW	GRW	-	Gray Luster Walnut
WGW	-	MGW	Gunstock Walnut
WJW	-	-	Judicial Walnut
WNW	-	-	Natural Walnut
WTW	-	MTW	Studio Teak Walnut
WWP	-	MWL	Designer White

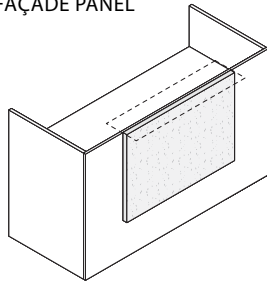
**3 SELECT AN EDGE**

Edge Profile  
Option Not Available

**5 OPTIONS**

**4 SELECT HARDWARE**

Hardware  
Option Not Available



**EXOTIC FACADE PANEL**

**STANDARD FEATURES**

- Horizontal reverse slip pattern

**NOTES**

- Choose from Mottled Makore, Birdseye Maple, Figured Sycamore, Figured Eucalyptus and Zebrawood
- Facade Panels Can Be Attached To Desks, Bridges, Returns and Credenzas

[CLICK HERE TO VIEW PRODUCT INDEX](#)

**1 SELECT A STYLE**

DIMENSIONS		STYLE NUMBER	LIST PRICE	STYLE NUMBER	LIST PRICE	STYLE NUMBER	LIST PRICE
W" x D" x H"	WGT	"W" Veneer Top Veneer Chassis		"G" HPL High Pressure Laminate Top Veneer Chassis		"M" TFL Thermally Fused Laminate Top Thermally Fused Laminate Chassis	
72 x 1 x 30	130	CPC7230EP700W	1441	"G" option N/A		"M" Option N/A	
66 x 1 x 30	120	CPC6630EP700W	1367	"G" option N/A		"M" Option N/A	
60 x 1 x 30	110	CPC6030EP700W	1277	"G" option N/A		"M" Option N/A	
54 x 1 x 30	100	CPC5430EP700W	1210	"G" option N/A		"M" Option N/A	
48 x 1 x 30	90	CPC4830EP700W	1082	"G" option N/A		"M" Option N/A	
42 x 1 x 30	80	CPC4230EP700W	1003	"G" option N/A		"M" Option N/A	

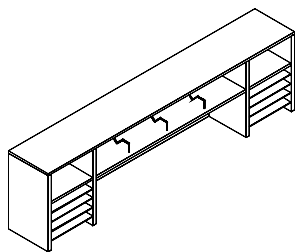
**2 SELECT A FINISH**      **3 SELECT AN EDGE**      **5 OPTIONS**

"W" Veneer WCF  
 "G" HPL -  
 "M" TFL Wood Clear Finish

Edge Profile  
 Option Not Available

**4 SELECT HARDWARE**

Hardware  
 Option Not Available



**24" PAPER ORGANIZER / OPEN**

**STANDARD FEATURES**

- 4 Shelves per box
- 8" Fixed top opening
- 14" Lower clearance
- Finished back - open plan
- Interior shelf depth 12.5"
- Organizer boxes 15"W
- Wire dividers

**NOTES**

- All units are standard w/ flush ends

[CLICK HERE TO VIEW PRODUCT INDEX](#)

**1 SELECT A STYLE**

DIMENSIONS		STYLE NUMBER	LIST PRICE	STYLE NUMBER	LIST PRICE	STYLE NUMBER	LIST PRICE
W" x D" x H"	WGT	"W" Veneer Top Veneer Chassis		"G" HPL High Pressure Laminate Top Veneer Chassis		"M" TFL Thermally Fused Laminate Top Thermally Fused Laminate Chassis	
105 x 14 x 24	230	CPC10524AU597W	4518	"G" option N/A		"M" Option N/A	
99 x 14 x 24	210	CPC9924AU597W	4250	"G" option N/A		"M" Option N/A	
93 x 14 x 24	195	CPC9324AU597W	3981	"G" option N/A		CPC9324AU597M	2390
87 x 14 x 24	185	CPC8724AU597W	3783	"G" option N/A		CPC8724AU597M	2270
83 x 14 x 24	175	CPC8324AU597W	3579	"G" option N/A		CPC8324AU597M	2175
76 x 14 x 24	165	CPC7624AU597W	3382	"G" option N/A		CPC7624AU597M	2030
70 x 14 x 24	150	CPC7024AU597W	3178	"G" option N/A		CPC7024AU597M	1905
64 x 14 x 24	135	CPC6424AU597W	2981	"G" option N/A		CPC6424AU597M	1790

**2 SELECT A FINISH**

"W" Veneer	"G" HPL	"M" TFL	Finish
WAC	-	-	Amber Cherry
WRC	-	-	Caramel Cherry
WIC	-	-	Crimson Cherry
WEC	-	-	Ebony Cherry
WHC	-	MHC	Honey Cherry
WOC	-	MOC	KoKo Cherry
WSC	-	-	Scotch Cherry
WAM	-	-	Alabaster Maple
WCM	-	-	Clear Maple
WWM	-	-	Wheat Maple
WEW	-	-	Executive Walnut
WRW	GRW	-	Gray Luster Walnut
WGW	-	MGW	Gunstock Walnut
WJW	-	-	Judicial Walnut
WNW	-	-	Natural Walnut
WTW	-	MTW	Studio Teak Walnut
WWP	-	MWL	Designer White

**3 SELECT AN EDGE**

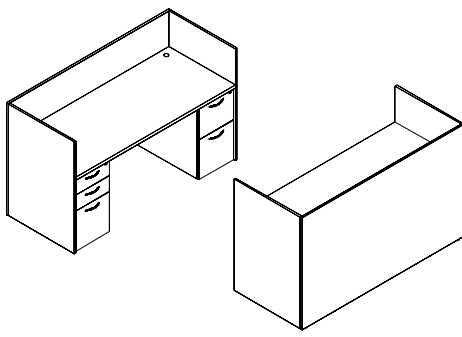
Edge Profile  
Option Not Available

**5 OPTIONS**

**PLANK MATCH VENEER**  
- RPMV: Random Walnut Plank Match Veneer (Horizontal Grain with 25%+ Sap) - Add 10%. Specify any Walnut finish or Clear Walnut.

**4 SELECT HARDWARE**

Hardware  
Option Not Available



**FREESTANDING - DOUBLE PEDESTAL**

**STANDARD FEATURES**

- 2 standard grommets - matches pull finish or specify black TM30, silver TM31 or antique brass TM33
- Box/Box/File (left)
- File/File (right)
- Full extension drawers - locking
- Soft close suspension drawer(s)

- Optional Countertops & Facade Panels Available On Following Pages

**NOTES**

- All units are standard w/ flush ends

[CLICK HERE TO VIEW PRODUCT INDEX](#)

**1 SELECT A STYLE**

DIMENSIONS		STYLE NUMBER		LIST PRICE	STYLE NUMBER		LIST PRICE	STYLE NUMBER		LIST PRICE
"W" x D" x H"	WGT	"W" Veneer	Veneer Top Veneer Chassis		"G" HPL	High Pressure Laminate Top Veneer Chassis		"M" TFL	Thermally Fused Laminate Top Thermally Fused Laminate Chassis	
84 x 30 x 42	425	CPC8442RP921W		4652	CPC8442RP921G		4652	CPC8442RP921M		2360
72 x 30 x 42	385	CPC7242RP921W		4191	CPC7242RP921G		4191	CPC7242RP921M		2305
66 x 30 x 42	350	CPC6642RP921W		4109	CPC6642RP921G		4109	CPC6642RP921M		2275

**C157R: Reception Counter Fabric (Choose Grade Below/Pricing Applies to All Sizes)**

COM	COL	1	2	3	4	5	6	7	8	9	10	11/ L1	12	13/ L2
201	N/A	280	320	360	400	440	480	520	560	600	640	680	720	800

**2 SELECT A FINISH**

"W" Veneer	"G" HPL	"M" TFL	Finish
WAC	GAC	-	Amber Cherry
WRC	-	-	Caramel Cherry
WIC	GIC	-	Crimson Cherry
WEC	-	-	Ebony Cherry
WHC	GHC	MHC	Honey Cherry
WOC	GOC	MOC	KoKo Cherry
WSC	-	-	Scotch Cherry
WAM	GAM	-	Alabaster Maple
WCM	GCM	-	Clear Maple
WWM	GWM	-	Wheat Maple
WEW	GEW	-	Executive Walnut
WRW	GRW	-	Gray Luster Walnut
WGW	-	MGW	Gunstock Walnut
WJW	-	-	Judicial Walnut
WNW	GNW	-	Natural Walnut
WTW	GTW	MTW	Studio Teak Walnut
WWP	GWL	MWL	Designer White

**3 SELECT AN EDGE**



**5 OPTIONS**

**ACCESSORIES**

- K28: Articulating Keyboard w/ Mouse - \$375
- K31: Center drawer w/o skirt - \$195

**DRAWER**

- P6: Modify File/File to Box/Box/File - \$50 per pedestal
- P33: Wood Drawer Upgrade - \$40 per drawer
- WPD3061: Full fill designer white - \$75 per door

**GROMMETS (NON-STANDARD LOCATION)**

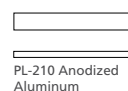
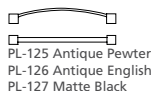
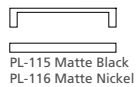
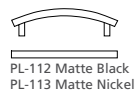
Provide drawing w/ grommet location and specify color - \$90 ea.

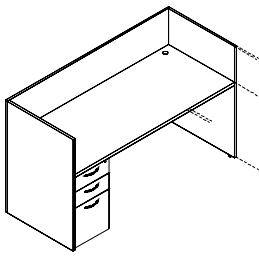
- Black: TM30-NS
- Silver: TM31-NS
- Antique Brass: TM33-NS

**PLANK MATCH VENEER**

- RPMV: Random Walnut Plank Match Veneer (Horizontal Grain with 25%+ Sap) - Add 10%. Specify any Walnut finish or Clear Walnut.

**4 SELECT HARDWARE**





**SINGLE PEDESTAL BOX/BOX/FILE**

**STANDARD FEATURES**

- 2 standard grommets - matches pull finish or specify black TM30, silver TM31 or antique brass TM33
- Full extension drawers - locking
- Soft close suspension drawer(s)

**NOTES**

- All units are standard w/ flush ends
- Optional Countertops & Facade Panels Available On Following Pages

[CLICK HERE TO VIEW PRODUCT INDEX](#)

**1 SELECT A STYLE**

DIMENSIONS		STYLE NUMBER	LIST PRICE	STYLE NUMBER	LIST PRICE	STYLE NUMBER	LIST PRICE
"W" x D" x H"	WGT	"W" Veneer Top Veneer Chassis		"G" HPL High Pressure Laminate Top Veneer Chassis		"M" TFL Thermally Fused Laminate Top Thermally Fused Laminate Chassis	
<b>Left Pedestal</b>							
84 x 30 x 42	395	CPC8442RP925W	4384	CPC8442RP925G	4384	CPC8442RP925M	1945
72 x 30 x 42	350	CPC7242RP925W	3981	CPC7242RP925G	3981	CPC7242RP925M	1890
66 x 30 x 42	320	CPC6642RP925W	3848	CPC6642RP925G	3848	CPC6642RP925M	1860
<b>Right Pedestal</b>							
84 x 30 x 42	395	CPC8442RP924W	4384	CPC8442RP924G	4384	CPC8442RP924M	1945
72 x 30 x 42	350	CPC7242RP924W	3981	CPC7242RP924G	3981	CPC7242RP924M	1890
66 x 30 x 42	320	CPC6642RP924W	3848	CPC6642RP924G	3848	CPC6642RP924M	1860

**C157R: Reception Counter Fabric (Choose Grade Below/Pricing Applies to All Sizes)**

COM	COL	1	2	3	4	5	6	7	8	9	10	11/ L1	12	13/ L2
201	N/A	280	320	360	400	440	480	520	560	600	640	680	720	800

**2 SELECT A FINISH**      **3 SELECT AN EDGE**      **5 OPTIONS**

"W" Veneer	"G" HPL	"M" TFL	
WAC	GAC	-	Amber Cherry
WRC	-	-	Caramel Cherry
WIC	GIC	-	Crimson Cherry
WEC	-	-	Ebony Cherry
WHC	GHC	MHC	Honey Cherry
WOC	GOC	MOC	KoKo Cherry
WSC	-	-	Scotch Cherry
WAM	GAM	-	Alabaster Maple
WCM	GCM	-	Clear Maple
WWM	GWM	-	Wheat Maple
WEW	GEW	-	Executive Walnut
WRW	GRW	-	Gray Luster Walnut
WGW	-	MGW	Gunstock Walnut
WJW	-	-	Judicial Walnut
WNW	GNW	-	Natural Walnut
WTW	GTW	MTW	Studio Teak Walnut
WWP	GWL	MWL	Designer White



**ACCESSORIES**

- K28: Articulating Keyboard w/ Mouse - \$375
- K31: Center drawer w/o skirt - \$195

**DRAWER**

- P6: Modify File/File to Box/Box/File - \$50 per pedestal
- P33: Wood Drawer Upgrade - \$40 per drawer
- WPD3061: Full fill designer white - \$75 per door

**GROMMETS (NON-STANDARD LOCATION)**

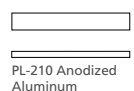
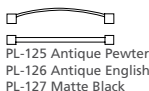
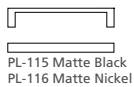
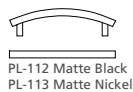
Provide drawing w/ grommet location and specify color - \$90 ea.

- Black: TM30-NS
- Silver: TM31-NS
- Antique Brass: TM33-NS

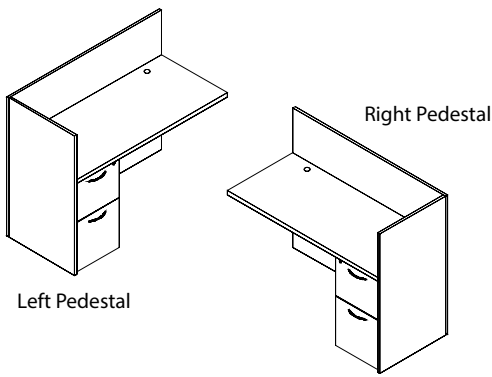
**PLANK MATCH VENEER**

- RPMV: Random Walnut Plank Match Veneer (Horizontal Grain with 25%+ Sap) - Add 10%. Specify any Walnut finish or Clear Walnut.

**4 SELECT HARDWARE**







**FILE / FILE**

**STANDARD FEATURES**

- 1 Standard grommet - matches pull finish or specify black TM30, silver TM31 or antique brass TM33
- Finished back - open plan
- Full extension drawers - locking
- Soft close suspension drawer(s)

[CLICK HERE TO VIEW PRODUCT INDEX](#)

**1 SELECT A STYLE**

DIMENSIONS		STYLE NUMBER	LIST PRICE	STYLE NUMBER	LIST PRICE	STYLE NUMBER	LIST PRICE
W" x D" x H"	WGT	"W" Veneer Top Veneer Chassis		"G" HPL High Pressure Laminate Top Veneer Chassis		"M" TFL Thermally Fused Laminate Top Thermally Fused Laminate Chassis	
<b>Left Pedestal</b>							
60 x 24 x 42	155	CPC6042RP930W	2668	CPC6042RP930G	2668	CPC6042RP930M	1400
54 x 24 x 42	145	CPC5442RP930W	2617	CPC5442RP930G	2617	CPC5442RP930M	1375
48 x 24 x 42	140	CPC4842RP930W	2558	CPC4842RP930G	2558	CPC4842RP930M	1350
42 x 24 x 42	135	CPC4242RP930W	2508	CPC4242RP930G	2508	CPC4242RP930M	1325
<b>Right Pedestal</b>							
60 x 24 x 42	155	CPC6042RP931W	2668	CPC6042RP931G	2668	CPC6042RP931M	1400
54 x 24 x 42	145	CPC5442RP931W	2617	CPC5442RP931G	2617	CPC5442RP931M	1375
48 x 24 x 42	140	CPC4842RP931W	2558	CPC4842RP931G	2558	CPC4842RP931M	1350
42 x 24 x 42	135	CPC4242RP931W	2508	CPC4242RP931G	2508	CPC4242RP931M	1325

**C154R: Reception Counter Fabric (Choose Grade Below/Pricing Applies to All Sizes)**

COM	COL	1	2	3	4	5	6	7	8	9	10	11/ L1	12	13/ L2
167	N/A	232	264	296	328	360	392	424	456	488	520	552	584	648

**2 SELECT A FINISH**      **3 SELECT AN EDGE**      **5 OPTIONS**

"W" Veneer	"G" HPL	"M" TFL	Finish
WAC	GAC	-	Amber Cherry
WRC	-	-	Caramel Cherry
WIC	GIC	-	Crimson Cherry
WEC	-	-	Ebony Cherry
WHC	GHC	MHC	Honey Cherry
WOC	GOC	MOC	KoKo Cherry
WSC	-	-	Scotch Cherry
WAM	GAM	-	Alabaster Maple
WCM	GCM	-	Clear Maple
WWM	GWM	-	Wheat Maple
WEW	GEW	-	Executive Walnut
WRW	GRW	-	Gray Luster Walnut
WGW	-	MGW	Gunstock Walnut
WJW	-	-	Judicial Walnut
WNW	GNW	-	Natural Walnut
WTW	GTW	MTW	Studio Teak Walnut
WWP	GWL	MWL	Designer White



**ACCESSORIES**

- K28: Articulating Keyboard w/ Mouse - \$375

**DRAWER**

- P6: Modify File/File to Box/Box/File - \$50 per pedestal
- P33: Wood Drawer Upgrade - \$40 per drawer
- P40W: extra Box/Box/File or File/File to Kneespace - \$875 (N/A on 58") (W,G)
- P40M: extra Box/Box/File or File/File to Kneespace - \$688 (N/A on 58") (M)
- WPD3061: Full fill designer white - \$75 per door

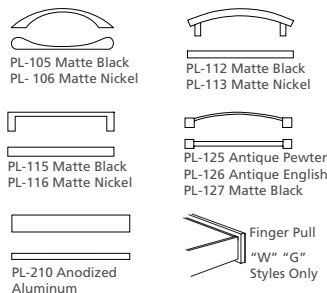
**GROMMETS (NON-STANDARD LOCATION)**

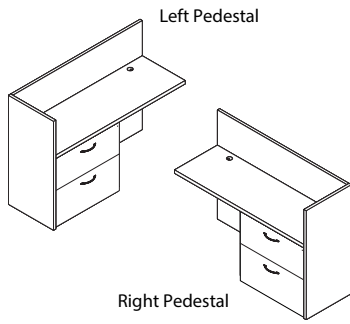
- Provide drawing w/ grommet location and specify color - \$90 ea.
- Black: TM30-NS
- Silver: TM31-NS
- Antique Brass: TM33-NS

**PLANK MATCH VENEER**

- RPMV: Random Walnut Plank Match Veneer (Horizontal Grain with 25%+ Sap) - Add 10%. Specify any Walnut finish or Clear Walnut.

**4 SELECT HARDWARE**





**LATERAL FILE**

**STANDARD FEATURES**

- 1 Standard grommet - matches pull finish or specify black TM30, silver TM31 or antique brass TM33
- Finished back - open plan
- Full extension drawers - locking
- Soft close suspension drawer(s)

[CLICK HERE TO VIEW PRODUCT INDEX](#)

**1 SELECT A STYLE**

DIMENSIONS		STYLE NUMBER	LIST PRICE	STYLE NUMBER	LIST PRICE	STYLE NUMBER	LIST PRICE
W" x D" x H"	WGT	"W" Veneer Top Veneer Veneer Chassis		"G" HPL High Pressure Laminate Top Veneer Chassis		"M" TFL Thermally Fused Laminate Top Thermally Fused Laminate Chassis	
<b>Left Pedestal</b>							
72 x 24 x 42	270	CPC7242RP932W	3273	CPC7242RP932G	3273	CPC7242RP932M	1650
66 x 24 x 42	250	CPC6642RP932W	3146	CPC6642RP932G	3146	CPC6642RP932M	1625
60 x 24 x 42	235	CPC6042RP932W	3026	CPC6042RP932G	3026	CPC6042RP932M	1600
54 x 24 x 42	205	CPC5442RP932W	2967	CPC5442RP932G	2967	CPC5442RP932M	1575
48 x 24 x 42	195	CPC4842RP932W	2910	CPC4842RP932G	2910	CPC4842RP932M	1550
<b>Right Pedestal</b>							
72 x 24 x 42	270	CPC7242RP933W	3273	CPC7242RP933G	3273	CPC7242RP933M	1650
66 x 24 x 42	250	CPC6642RP933W	3146	CPC6642RP933G	3146	CPC6642RP933M	1625
60 x 24 x 42	235	CPC6042RP933W	3026	CPC6042RP933G	3026	CPC6042RP933M	1600
54 x 24 x 42	205	CPC5442RP933W	2967	CPC5442RP933G	2967	CPC5442RP933M	1575
48 x 24 x 42	195	CPC4842RP933W	2910	CPC4842RP933G	2910	CPC4842RP933M	1550

**C154R: Reception Counter Fabric (Choose Grade Below/Pricing Applies to All Sizes)**

COM	COL	1	2	3	4	5	6	7	8	9	10	11/ L1	12	13/ L2
201	N/A	280	320	360	400	440	480	520	560	600	640	680	720	800

**2 SELECT A FINISH**

"W" Veneer	"G" HPL	"M" TFL	
WAC	GAC	-	Amber Cherry
WRC	-	-	Caramel Cherry
WIC	GIC	-	Crimson Cherry
WEC	-	-	Ebony Cherry
WHC	GHC	MHC	Honey Cherry
WOC	GOC	MOC	KoKo Cherry
WSC	-	-	Scotch Cherry
WAM	GAM	-	Alabaster Maple
WCM	GCM	-	Clear Maple
WWM	GWM	-	Wheat Maple
WEW	GEW	-	Executive Walnut
WRW	GRW	-	Gray Luster Walnut
WGW	-	MGW	Gunstock Walnut
WJW	-	-	Judicial Walnut
WNW	GNW	-	Natural Walnut
WTW	GTW	MTW	Studio Teak Walnut
WWP	GWL	MWL	Designer White

**3 SELECT AN EDGE**



**5 OPTIONS**

**ACCESSORIES**

- K28: Articulating Keyboard w/ Mouse - \$375

**DRAWER**

- P33: Wood Drawer Upgrade - \$40 per drawer
- P40W: extra Box/Box/File or File/File to Kneespace - \$875 (N/A on 58") (W,G)
- P40M: extra Box/Box/File or File/File to Kneespace - \$688 (N/A on 58") (M)
- WPD3061: Full fill designer white - \$75 per door

**GROMMETS (NON-STANDARD LOCATION)**

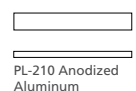
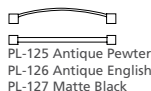
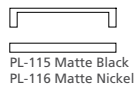
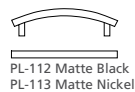
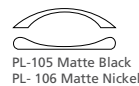
Provide drawing w/ grommet location and specify color - \$90 ea.

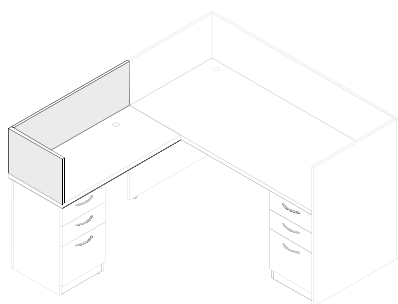
- Black: TM30-NS
- Silver: TM31-NS
- Antique Brass: TM33-NS

**PLANK MATCH VENEER**

- RPMV: Random Walnut Plank Match Veneer (Horizontal Grain with 25%+ Sap) - Add 10%. Specify any Walnut finish or Clear Walnut.

**4 SELECT HARDWARE**





RETURN GALLERY

STANDARD FEATURES

- Adhesive tape secures sit-on panels to surface

NOTES

- For use on standard 29" H desks

[CLICK HERE TO VIEW PRODUCT INDEX](#)

**1 SELECT A STYLE**

DIMENSIONS		STYLE NUMBER	LIST PRICE	STYLE NUMBER	LIST PRICE	STYLE NUMBER	LIST PRICE
W" x D" x H"	WGT	"W" Veneer Top Veneer Veneer Chassis		"G" HPL High Pressure Laminate Top Veneer Chassis		"M" TFL Thermally Fused Laminate Top Thermally Fused Laminate Chassis	
<b>Left Hookup</b>							
72 x 22 x 14	65	CPC7222AU598W	1449	"G" option N/A		CPC7222AU598M	870
66 x 22 x 14	60	CPC6622AU598W	1315	"G" option N/A		CPC6622AU598M	790
60 x 22 x 14	55	CPC6022AU598W	1180	"G" option N/A		CPC6022AU598M	710
54 x 22 x 14	50	CPC5422AU598W	1047	"G" option N/A		CPC5422AU598M	630
48 x 22 x 14	45	CPC4822AU598W	913	"G" option N/A		CPC4822AU598M	550
42 x 22 x 14	40	CPC4222AU598W	779	"G" option N/A		CPC4222AU598M	470
<b>Right Hookup</b>							
72 x 22 x 14	65	CPC7222AU599W	1449	"G" option N/A		CPC7222AU599M	870
66 x 22 x 14	60	CPC6622AU599W	1315	"G" option N/A		CPC6622AU599M	790
60 x 22 x 14	55	CPC6022AU599W	1047	"G" option N/A		CPC6022AU599M	710
54 x 22 x 14	50	CPC5422AU599W	1047	"G" option N/A		CPC5422AU599M	630
48 x 22 x 14	45	CPC4822AU599W	913	"G" option N/A		CPC4822AU599M	550
42 x 22 x 14	40	CPC4222AU599W	779	"G" option N/A		CPC4222AU599M	470

**C157R: Reception Counter Fabric (Choose Grade Below/Pricing Applies to All Sizes)**

COM	COL	1	2	3	4	5	6	7	8	9	10	11/ L1	12	13/ L2
201	N/A	280	320	360	400	440	480	520	560	600	640	680	720	800

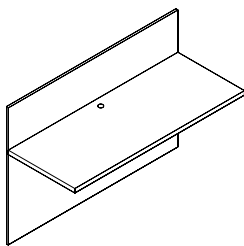
**2 SELECT A FINISH**      **3 SELECT AN EDGE**      **5 OPTIONS**

"W" Veneer	"G" HPL	"M" TFL	
WAC	-	-	Amber Cherry
WRC	-	-	Caramel Cherry
WIC	-	-	Crimson Cherry
WEC	-	-	Ebony Cherry
WHC	-	MHC	Honey Cherry
WOC	-	MOC	KoKo Cherry
WSC	-	-	Scotch Cherry
WAM	-	-	Alabaster Maple
WCM	-	-	Clear Maple
WWM	-	-	Wheat Maple
WEW	-	-	Executive Walnut
WRW	GRW	-	Gray Luster Walnut
WGW	-	MGW	Gunstock Walnut
WJW	-	-	Judicial Walnut
WNW	-	-	Natural Walnut
WTW	-	MTW	Studio Teak Walnut
WWP	-	MWL	Designer White

Edge Profile  
Option Not Available

**4 SELECT HARDWARE**

Hardware  
Option Not Available



**STANDARD "U" BRIDGE**

**STANDARD FEATURES**

- 1 Standard grommet - matches pull finish or specify black TM30, silver TM31 or antique brass TM33
- Finished back - open plan

[CLICK HERE TO VIEW PRODUCT INDEX](#)

**1 SELECT A STYLE**

DIMENSIONS		STYLE NUMBER	LIST PRICE	STYLE NUMBER	LIST PRICE	STYLE NUMBER	LIST PRICE
W" x D" x H"	WGT	"W" Veneer Veneer Top Veneer Chassis		"G" HPL High Pressure Laminate Top Veneer Chassis		"M" TFL Thermally Fused Laminate Top Thermally Fused Laminate Chassis	
72 x 24 x 42	185	CPC7242RP164W	1372	CPC7242RP164G	1372	CPC7242RP164M	1065
66 x 24 x 42	170	CPC6642RP164W	1239	CPC6642RP164G	1239	CPC6642RP164M	1040
60 x 24 x 42	160	CPC6042RP164W	1103	CPC6042RP164G	1103	CPC6042RP164M	875
54 x 24 x 42	150	CPC5442RP164W	1002	CPC5442RP164G	1002	CPC5442RP164M	840
48 x 24 x 42	140	CPC4842RP164W	899	CPC4842RP164G	899	CPC4842RP164M	815

**C157R: Reception Counter Fabric (Choose Grade Below/Pricing Applies to All Sizes)**

COM	COL	1	2	3	4	5	6	7	8	9	10	11/ L1	12	13/ L2
201	N/A	280	320	360	400	440	480	520	560	600	640	680	720	800

**2 SELECT A FINISH**

"W" Veneer	"G" HPL	"M" TFL	
WAC	GAC	-	Amber Cherry
WRC	-	-	Caramel Cherry
WIC	GIC	-	Crimson Cherry
WEC	-	-	Ebony Cherry
WHC	GHC	MHC	Honey Cherry
WOC	GOC	MOC	KoKo Cherry
WSC	-	-	Scotch Cherry
WAM	GAM	-	Alabaster Maple
WCM	GCM	-	Clear Maple
WWM	GWM	-	Wheat Maple
WEW	GEW	-	Executive Walnut
WRW	GRW	-	Gray Luster Walnut
WGW	-	MGW	Gunstock Walnut
WJW	-	-	Judicial Walnut
WNW	GNW	-	Natural Walnut
WTW	GTW	MTW	Studio Teak Walnut
WWP	GWL	MWL	Designer White

**3 SELECT AN EDGE**

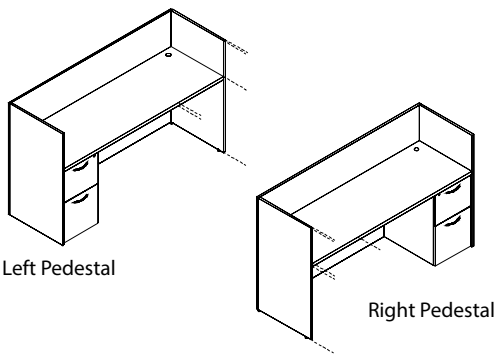


**5 OPTIONS**

- GROMMETS (NON-STANDARD LOCATION)**  
Provide drawing w/ grommet location and specify color - \$90 ea.
- Black: TM30-NS
  - Silver: TM31-NS
  - Antique Brass: TM33-NS
- PLANK MATCH VENEER**  
- RPMV: Random Walnut Plank Match Veneer (Horizontal Grain with 25%+ Sap) - Add 10%. Specify any Walnut finish or Clear Walnut.

**4 SELECT HARDWARE**

Hardware  
Option Not  
Available



**FILE / FILE**

**STANDARD FEATURES**

- 2 standard grommets - matches pull finish or specify black TM30, silver TM31 or antique brass TM33
- Finished back - open plan
- Full extension drawers - locking
- Soft close suspension drawer(s)

[CLICK HERE TO VIEW PRODUCT INDEX](#)

**1 SELECT A STYLE**

DIMENSIONS		STYLE NUMBER	LIST PRICE	STYLE NUMBER	LIST PRICE	STYLE NUMBER	LIST PRICE
W" x D" x H"	WGT	"W" Veneer Top Veneer Chassis		"G" High Pressure Laminate Top Veneer Chassis		"M" Thermally Fused Laminate Top Thermally Fused Laminate Chassis	
<b>Left Pedestal</b>							
89 x 24 x 42	345	CPC8942RP938W	3363	CPC8924RP938G	3363	CPC8942RP938M	1865
72 x 24 x 42	275	CPC7242RP938W	3023	CPC7242RP938G	3023	CPC7242RP938M	1810
66 x 24 x 42	260	CPC6642RP938W	2908	CPC6642RP938G	2908	CPC6642RP938M	1780
<b>Right Pedestal</b>							
89 x 24 x 42	345	CPC8942RP939W	3363	CPC8942RP939G	3363	CPC8942RP939M	1865
72 x 24 x 42	275	CPC7242RP939W	3023	CPC7242RP939G	3023	CPC7242RP939M	1810
66 x 24 x 42	260	CPC6642RP939W	2908	CPC6642RP939G	2908	CPC6642RP939M	1780

**C154R: Reception Counter Fabric (Choose Grade Below/Pricing Applies to All Sizes)**

COM	COL	1	2	3	4	5	6	7	8	9	10	11/ L1	12	13/ L2
201	N/A	280	320	360	400	440	480	520	560	600	640	680	720	800

**2 SELECT A FINISH**      **3 SELECT AN EDGE**      **5 OPTIONS**

"W" Veneer	"G" HPL	"M" TFL	Finish
WAC	GAC	-	Amber Cherry
WRC	-	-	Caramel Cherry
WIC	GIC	-	Crimson Cherry
WEC	-	-	Ebony Cherry
WHC	GHC	MHC	Honey Cherry
WOC	GOC	MOC	KoKo Cherry
WSC	-	-	Scotch Cherry
WAM	GAM	-	Alabaster Maple
WCM	GCM	-	Clear Maple
WWM	GWM	-	Wheat Maple
WEW	GEW	-	Executive Walnut
WRW	GRW	-	Gray Luster Walnut
WGW	-	MGW	Gunstock Walnut
WJW	-	-	Judicial Walnut
WNW	GNW	-	Natural Walnut
WTW	GTW	MTW	Studio Teak Walnut
WWP	GWL	MWL	Designer White



"W" "G" Flat 3 mm

**ACCESSORIES**

- K28: Articulating Keyboard w/ Mouse - \$375

**DRAWER**

- P33: Wood Drawer Upgrade - \$40 per drawer
- WPD3061: Full fill designer white - \$75 per door

**GROMMETS (NON-STANDARD LOCATION)**

Provide drawing w/ grommet location and specify color - \$90 ea.  
 - Black: TM30-NS  
 - Silver: TM31-NS  
 - Antique Brass: TM33-NS

**PLANK MATCH VENEER**

- RPMV: Random Walnut Plank Match Veneer (Horizontal Grain with 25%+ Sap) - Add 10%. Specify any Walnut finish or Clear Walnut.

**STORAGE**

- P6: Modify File/File to Box/Box/File - \$50 per pedestal
- P33: Wood Drawer Upgrade - \$40 per drawer
- P40W: extra Box/Box/File or File/File to Kneespace - \$875 (N/A on 58") (W,G)
- P40M: extra Box/Box/File or File/File to Kneespace - \$688 (N/A on 58") (M)

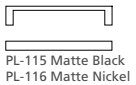
**4 SELECT HARDWARE**



PL-105 Matte Black  
PL-106 Matte Nickel



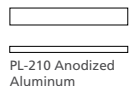
PL-112 Matte Black  
PL-113 Matte Nickel



PL-115 Matte Black  
PL-116 Matte Nickel



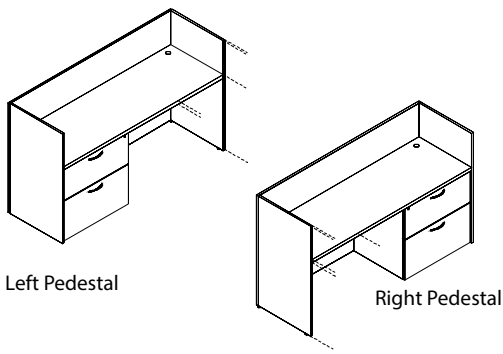
PL-125 Antique Pewter  
PL-126 Antique English  
PL-127 Matte Black



PL-210 Anodized Aluminum



Finger Pull  
"W" "G" Styles Only



Left Pedestal

Right Pedestal

**LATERAL FILE**

**STANDARD FEATURES**

- 2 standard grommets - matches pull finish or specify black TM30, silver TM31 or antique brass TM33
- Finished back - open plan
- Full extension drawers - locking
- Soft close suspension drawer(s)

[CLICK HERE TO VIEW PRODUCT INDEX](#)

**1 SELECT A STYLE**

DIMENSIONS		STYLE NUMBER	LIST PRICE	STYLE NUMBER	LIST PRICE	STYLE NUMBER	LIST PRICE
W" x D" x H"	WGT	"W" Veneer Top Veneer Chassis		"G" High Pressure Laminate Top Veneer Chassis		"M" Thermally Fused Laminate Top Thermally Fused Laminate Chassis	
<b>Left Pedestal</b>							
89 x 24 x 42	395	CPC8942RP940W	3488	CPC8942RP940G	3488	CPC8942RP940M	2065
72 x 24 x 42	300	CPC7242RP940W	3148	CPC7242RP940G	3148	CPC7242RP940M	2010
66 x 24 x 42	285	CPC6642RP940W	3033	CPC6642RP940G	3033	CPC6642RP940M	1980
<b>Right Pedestal</b>							
89 x 24 x 42	395	CPC8942RP941W	3488	CPC8942RP941G	3488	CPC8942RP941M	2065
72 x 24 x 42	300	CPC7242RP941W	3148	CPC7242RP941G	3148	CPC7242RP941M	2010
66 x 24 x 42	285	CPC6642RP941W	3033	CPC6642RP941G	3033	CPC6642RP941M	1980

**C154R: Reception Counter Fabric (Choose Grade Below/Pricing Applies to All Sizes)**

COM	COL	1	2	3	4	5	6	7	8	9	10	11/ L1	12	13/ L2
201	N/A	280	320	360	400	440	480	520	560	600	640	680	720	800

**2 SELECT A FINISH**

"W" Veneer	"G" HPL	"M" TFL	Finish
WAC	GAC	-	Amber Cherry
WRC	-	-	Caramel Cherry
WIC	GIC	-	Crimson Cherry
WEC	-	-	Ebony Cherry
WHC	GHC	MHC	Honey Cherry
WOC	GOC	MOC	KoKo Cherry
WSC	-	-	Scotch Cherry
WAM	GAM	-	Alabaster Maple
WCM	GCM	-	Clear Maple
WWM	GWM	-	Wheat Maple
WEW	GEW	-	Executive Walnut
WRW	GRW	-	Gray Luster Walnut
WGW	-	MGW	Gunstock Walnut
WJW	-	-	Judicial Walnut
WNW	GNW	-	Natural Walnut
WTW	GTW	MTW	Studio Teak Walnut
WWP	GWL	MWL	Designer White

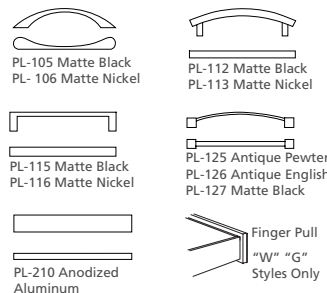
**3 SELECT AN EDGE**



**5 OPTIONS**

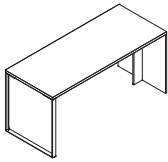
- ACCESSORIES**
- K28: Articulating Keyboard w/ Mouse - \$375
- DRAWER**
- P33: Wood Drawer Upgrade - \$40 per drawer
  - WPD3061: Full fill designer white - \$75 per door
- GROMMETS (NON-STANDARD LOCATION)**
- Provide drawing w/ grommet location and specify color - \$90 ea.
- Black: TM30-NS
  - Silver: TM31-NS
  - Antique Brass: TM33-NS
- PLANK MATCH VENEER**
- RPMV: Random Walnut Plank Match Veneer (Horizontal Grain with 25%+ Sap) - Add 10%. Specify any Walnut finish or Clear Walnut.
- STORAGE**
- P6: Modify File/File to Box/Box/File - \$50 per pedestal
  - P33: Wood Drawer Upgrade - \$40 per drawer
  - P40W: extra Box/Box/File or File/File to Kneespace - \$875 (N/A on 58") (W,G)
  - P40M: extra Box/Box/File or File/File to Kneespace - \$688 (N/A on 58") (M)

**4 SELECT HARDWARE**



**BASE MODIFICATIONS**

**RUNOFF SLEIGH BASE**



STYLE NUMBER	LIST PRICE	SPECIFICATIONS
<b>24" Metal Sleigh Base</b> SSB24	450	- Metal Sleigh base - standard in silver finish
<b>30" Metal Sleigh Base</b> SSB30	475	
<b>36" Metal Sleigh Base</b> SSB36	495	

Available: - Central, NOT SO square, Spaces

**COMPUTER SUPPORT**

**DELUXE SINGLE MONITOR ARM W/ USB POST**



STYLE NUMBER	LIST PRICE	SPECIFICATIONS
MA1952	495	<ul style="list-style-type: none"> <li>- (4) 2.0 USB Ports</li> <li>- Post Length: 22-1/2"H, Post Base Requires 80mm Dia. Hole</li> <li>- Spring Assist - Full Movement Arm, Arm Extends Up To 13 - 3/8"</li> <li>- Supports Screens Up To 24", Swivels 180 degrees - Mount Plate Tilts 85 degrees</li> <li>- Arm: Die Cast Aluminum</li> </ul> <p><b>Notes</b></p> <ul style="list-style-type: none"> <li>- Surface Factory Bored / Ready To Install</li> </ul>

Available: - All DARRAN Collections

**COMPUTER SUPPORT**

**DELUXE DOUBLE MONITOR ARM W/ USB POST**

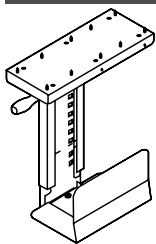


STYLE NUMBER	LIST PRICE	SPECIFICATIONS
MA2952	795	<ul style="list-style-type: none"> <li>- (4) 2.0 USB Ports</li> <li>- Post Length: 22-1/2"H, Post Base Requires 80mm Dia. Hole</li> <li>- Spring Assist - Full Movement Arm, Arm Extends Up To 13 - 3/8"</li> <li>- Supports Screens Up To 24", Swivels 180 degrees - Mount Plate Tilts 85 degrees</li> <li>- Arm: Die Cast Aluminum</li> </ul> <p><b>Notes</b></p> <ul style="list-style-type: none"> <li>- Surface Factory Bored / Ready To Install</li> <li>- Can Accommodate Up To 4 Monitors By Ordering Extra Double Arms.</li> <li>1 Extra Arm and 1 Double Clamp - Add\$305</li> </ul>

Available: - All DARRAN Collections

**COMPUTER SUPPORT**

**CPU RETRACTABLE CRADLE**

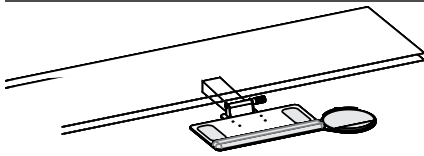


STYLE NUMBER	LIST PRICE	SPECIFICATIONS
K18	195	<ul style="list-style-type: none"> <li>- Black Metal CPU Carriage</li> <li>- Full 360° swivel capability allows easy access to rear of CPU for cables / wires</li> <li>- Track allows 8- 1/2" extension</li> <li>- Width Adjustment 5-1/2" to 9-1/4"</li> <li>- Height adjustment 14- 5/8" to 20- 1/2"</li> <li>- Black epoxy finish</li> </ul> <p><b>Notes</b></p> <ul style="list-style-type: none"> <li>- Factory Installed</li> </ul>

Available: - All DARRAN Collections

COMPUTER SUPPORT

ARTICULATING KEYBOARD TRAY



STYLE NUMBER

*Factory Installed*

K28

*Field Installed*

K28F

LIST PRICE

375

395

SPECIFICATIONS

- Adjusts effortlessly - A simple one-handed motion allows the keyboard to be repositioned instantly, without the use of locks or levers
- Encourages low-risk postures - Maximizes adjustability within a safe operating range.
- Will last a lifetime - Exceeds all applicable BIFMA Standards and comes with a lifetime guarantee.

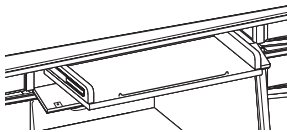
Notes

- Factory Installed (standard)
- FIELD INSTALL - \$395

Available: - All DARRAN Collections

COMPUTER SUPPORT

TRADITIONAL PULL-OUT DRAWER WITH KEYBOARD TRAY



STYLE NUMBER

K21

LIST PRICE

450

SPECIFICATIONS

- Traditional Pull-out Drawer w/Keyboard Tray

Available: - Jamestown

CONFERENCE DESK SUPPORT POST OPTIONS

WOOD DRUM



STYLE NUMBER

*6" Diameter Drum*

B6

LIST PRICE

395

SPECIFICATIONS

- Available in Walnut / Cherry / Maple
- Adjustable levelers
- Replaces standard metal round legs

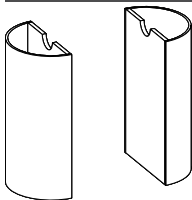
Notes

- Specify Finish

Available: - Central Park, NOT SO square

CONFERENCE DESK SUPPORT POST OPTIONS

WOOD HALF DRUM



STYLE NUMBER

*8" Half Drum*

HC08

*16" Diameter Drum*

HC16

LIST PRICE

695

895

SPECIFICATIONS

- Available in Walnut / Cherry / Maple
- Adjustable levelers

Notes

- Specify Finish

Available: - Central Park, NOT SO square, Richmond Park



CONFERENCE DESK SUPPORT POST OPTIONS

METAL OVAL "T" BASE



STYLE NUMBER

*Silver*

32MOTS

*Black*

32MOTB

LIST PRICE

595

595

SPECIFICATIONS

- 3" x 1" Aluminum square extrusion
- Leveler adjustment
- Oval Post

Available: - Silver or Black

DOOR MODIFICATIONS

SOFT CLOSE DOOR HINGE



STYLE NUMBER

D9SC

LIST PRICE

15 Per Door

SPECIFICATIONS

- Snap onto standard door hinge
- Requires (1) per door
- Max door height 43"
- Factory installed where specified
- Individually shipped for field installation

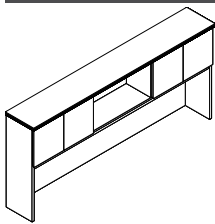
Notes

- Specify Each Item To Have Slow Close Feature

Available: - All DARRAN Collections

DOOR MODIFICATIONS

DELETE DOORS



STYLE NUMBER

D6

LIST PRICE

N/C

SPECIFICATIONS

- Standard Door overheads and cabinets can have door deleted for open access. Modification of hinge rails and structural components are made face ready.

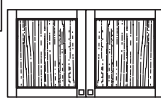
Available: - All DARRAN Collections

DOOR MODIFICATIONS

- REPLACE GLASS PANEL INSERT WITH VENEER PANEL INSERT



Glass Door



Wood Door

STYLE NUMBER

D35

LIST PRICE

30 per door

SPECIFICATIONS

- Replace glass panel insert with veneer panel insert

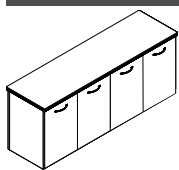
Notes

- Not Available on "M" skus
- Glass door has beveled glass
- Wood door w/ veneer insert - only available on "W" style

Available: - Capitol Park, Jamestown, Prado, Richmond Park

**DOOR MODIFICATIONS**

**DELETE DOORS/REPLACE BLACK LAMINATE SHELF W/ FINISHED SHELF**



**STYLE NUMBER**  
D6A

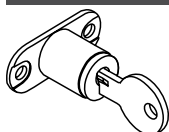
**LIST PRICE**  
N/C

**SPECIFICATIONS**  
- Delete doors and replace black laminate shelf with finished shelf

Available: - All Storage Credenzas ("W"/"G" Styles ).  
Excludes Rail.

**DOOR MODIFICATIONS**

**PANEL DOOR LOCK**



**STYLE NUMBER**  
D2

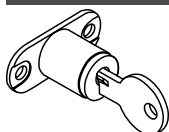
**LIST PRICE**  
95 Per Door Set

**SPECIFICATIONS**  
- Door Locks - 1 Door w/ Lock, Other Door w/ Catch Latch  
- Contact Customer Service regarding limited lock locations and keying.

Available: - Panel Doors, Wood Frame Doors, and Silverluma doors

**DOOR MODIFICATIONS**

**GLASS DOOR LOCK**



**STYLE NUMBER**  
D2-G

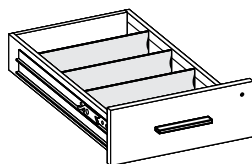
**LIST PRICE**  
195 Per Door Set

**SPECIFICATIONS**  
- Door Locks - 1 Door w/ Lock, Other Door w/ Catch Latch  
- Contact Customer Service regarding limited lock locations and keying.

Available: - Glass Doors

**DOOR MODIFICATIONS**

**BOX DRAWER ACCESSORIES**



**STYLE NUMBER**  
*Wood Drawer Dividers w/ Clips*  
K-DIV  
*Single Tray - Utility Tray*  
K-Sut

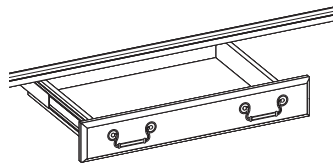
**LIST PRICE**  
SET OF 3 - 30  
30 each

**SPECIFICATIONS**  
- K-DIV Extra Wood Drawer Dividers with Clips, Top Box drawers standard with 1 divider  
- K-SUT Single Tray - Utility Tray, Specify Legal or Letter drawer width

Available: - All DARRAN Collections. Excludes Rail.

**DRAWER OPTIONS**

**TRADITIONAL CENTER DRAWER**



**STYLE NUMBER**  
K17  
*Add Skirt Option*  
K17-SK

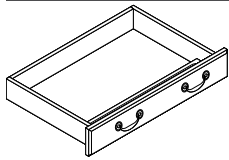
**LIST PRICE**  
225  
  
325

**SPECIFICATIONS**  
- Standard on desks in Jamestown Collection. Optional center drawers available for bullet conference desk, kneespace credenzas and corner units. 3 ply hardwood drawer / dowel construction profile shaped drawer front. Specify pull choice.

Available: - Jamestown

**DRAWER OPTIONS**

**FINISHED TRADITIONAL CENTER DRAWER**



**STYLE NUMBER**  
K30  
*Add Skirt Option*  
K30-SK

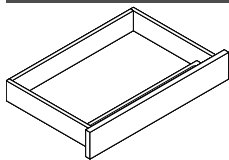
**LIST PRICE**  
195  
  
295

**SPECIFICATIONS**  
- Veneer drawer front finished to match unit veneer. Edges are scalloped to match standard drawers.  
- Standard with matching wood grain pencil tray  
- Pulls selected to match unit installed

Available: - Richmond Park

**DRAWER OPTIONS**

**FINISHED CENTER DRAWER**



**STYLE NUMBER**  
K31  
*Add Skirt Option*  
K31-SK

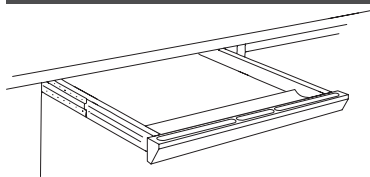
**LIST PRICE**  
195  
  
295

**SPECIFICATIONS**  
- Veneer drawer front finished to match unit W or G style veneer.  
- Ball bearing smooth operation  
- Drawer has lifetime guarantee  
- Standard with matching wood grain pencil tray  
- Laminate drawer front to match laminate unit (M style)

Available: - Central Park, NOT SO square, Rail

**DRAWER OPTIONS**

**PRADO/SPACES CENTER DRAWER - VENEER BOTTOM**



**STYLE NUMBER**  
*Factory Installed*  
K1  
*Field Installed*  
K1BVF

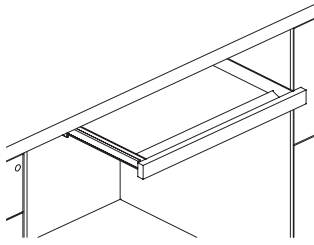
**LIST PRICE**  
275  
  
275

**SPECIFICATIONS**  
- Solid hardwood front beveled and rounded with recessed pencil tray.

Available: - Prado, Spaces

**DRAWER OPTIONS**

**CENTER DRAWER**



**STYLE NUMBER**

**LIST PRICE**

**SPECIFICATIONS**

*Factory Installed*

- Center Drawer - Factory Installed, Center Drawer - Field Installed

K1R

275

*Field Installed*

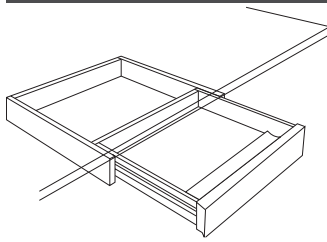
K1RF

275

Available: - Rift

**DRAWER OPTIONS**

**CENTER DRAWER WITH SKIRT**



**STYLE NUMBER**

**LIST PRICE**

**SPECIFICATIONS**

*Factory Installed*

- Center Drawer - Factory Installed, Center Drawer - Field Installed

K2R

375

*Field Installed*

K2RF

375

*Add Skirt Option*

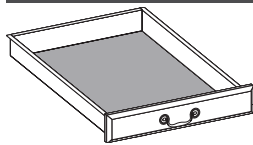
K2R-SK

475

Available: - Rift

**DRAWER OPTIONS - BOTTOM COVER**

**BLACK DURA-LEATHER DRAWER BOTTOM COVERS**



**STYLE NUMBER**

**LIST PRICE**

**SPECIFICATIONS**

P2

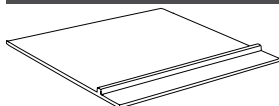
75

- Center drawer and Box/Tray drawers are covered in Black Duraleather that adds a prestigious touch.

Available: - Jamestown

**DRAWER OPTIONS - BOTTOM COVER**

**FELT BOTTOM CENTER DRAWER INSERT LINER**



**STYLE NUMBER**

**LIST PRICE**

**SPECIFICATIONS**

K3

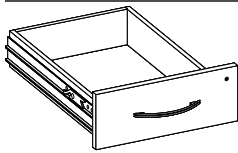
95

- Inserts into center drawer and features divider for open pen and pencil storage. Removable for easy cleaning.  
 - Adds a luxurious touch to center drawers.  
 - Color: Dark Brown Coal

Available: - All DARRAN Collections. Excludes Rail.

**DRAWER OPTIONS - UPGRADE**

**WOOD DRAWER UPGRADE**



**STYLE NUMBER**  
P33

**LIST PRICE**  
40 Per Drawer

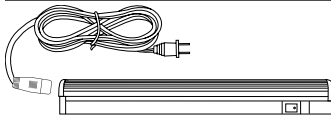
**SPECIFICATIONS**

- Dowel joint construction
- Hardwood veneer multi-ply drawer
- UV finish
- 1/4" Wood veneer bottoms
- File drawer bottoms are fiv block reinforced for heavy weight capacity
- Lifetime guaranteed

Available: - Central Park, Capitol Park, NOT SO square, Rail, Richmond Park

**LIGHTING**

**LT-LED TASK LIGHT**



**STYLE NUMBER**  
*24" Tasklight*  
LT-LED24  
*48" Tasklight*  
LT-LED48  
*60" Tasklight*  
LT-LED60  
*Linking Cable*  
LC22

**LIST PRICE**  
90  
165  
180  
20

**SPECIFICATIONS**

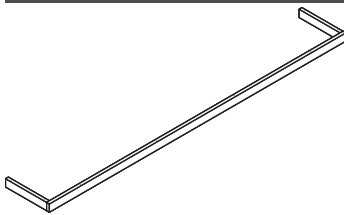
- Anodized aluminum finish
- Tilting beam allows adjustability
- Switch with dimming control
- 50,000 hour life
- 12V power drive standard with each task light 30 watt max

**Notes**  
- LC22: 20" LT-LED Task light linking cable

Available: - All DARRAN Collections

**LIGHTING**

**DELETE TASK LIGHT CONCEALMENT APRON RAIL**



**STYLE NUMBER**  
WAR-D

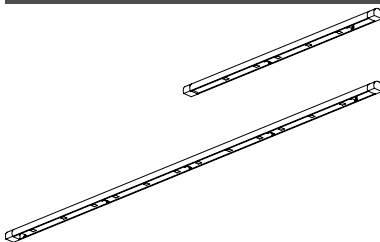
**LIST PRICE**  
Deduct 125

**SPECIFICATIONS**  
- Delete Tasklight Concealment apron rail when a task light is not used on a wall hung unit

Available: - Wall Hung Units

**LIGHTING**

**SLIM LINE ALUMINUM LED TASK LIGHT**



**STYLE NUMBER**  
*24" Tasklight*  
LED24  
*48" Tasklight*  
LED48  
*60" Tasklight*  
LED60  
*Linking Package*  
DPC

**LIST PRICE**  
315  
445  
555  
Deduct 85 per task light

**SPECIFICATIONS**

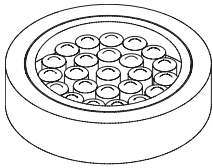
- Anodized aluminum finish
- Tilting beam allows adjustability
- Switch with dimming control
- 50,000 hour life
- 12V power drive standard with each task light 30 watt max

**Notes**  
- Link multiple tasklights up to 30W of power wattage. Deletes 1 power drive

Available: - Rift and Spaces

LIGHTING

LED INTERIOR CABINET PUCK LIGHT



STYLE NUMBER

LIST PRICE

SPECIFICATIONS

**Starter Kit**  
LEDPK  
**1 LED Interior Puck Light**  
PK

295  
  
125

- Starter kit includes Infeed, 1 Puck Interior Light and the ability to daisy chain up to 6 total Puck Lights
- (1) LED Puck Light with 30W power drive and switch
- Recessed fixture
- 12V linking cord 98"L
- Silver finish
- 50,000 hour life
- 2 watt per light

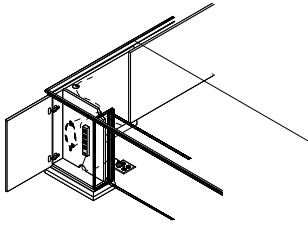
Notes

- Power drive included, Light only

Available: - Overhead/Tower Units with glass doors or no doors

PEDESTAL MODIFICATIONS

BREAKFRONT PEDESTAL WITH WIRE MANAGEMENT CAVITY DOOR



STYLE NUMBER

LIST PRICE

SPECIFICATIONS

PC10  
**Power Supply Cordset**  
PD717

95  
  
95

- Hinged pedestal front door offers easy access for wire management
- Wire hooks provide wire coil storage
- Wire access openings allow access to floor, cabinets interior and kneespace
- Cabinet interior is black finish
- Top grommet is positioned over cavity for access ease
- (Power Strip Optional)

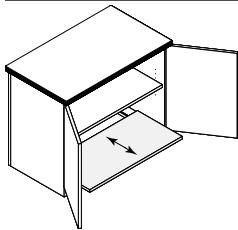
Notes

- Breakfront Chassis Only

Available: - All DARRAN Collections. Excludes Jamestown, Rail, Richmond, and Rift.

PEDESTAL MODIFICATIONS

BLACK LAMINATE PRINTER PULLOUT BOTTOM SHELF



STYLE NUMBER

LIST PRICE

SPECIFICATIONS

PPOS

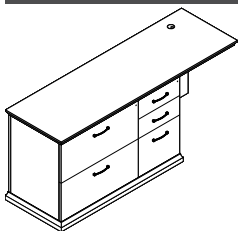
214

- Black Laminate pullout shelf on suspension
- Black grommet
- Adjustable Shelf

Available: - All DARRAN Collections. Excludes Rail.

PEDESTAL MODIFICATIONS

ADD VENEER KNEESPACE CABINETS - BASE



STYLE NUMBER

LIST PRICE

SPECIFICATIONS

**Add Box/Box/File or File/File**

P40B

985

- Multi-file specify Box/Box Left or Right

**Add Lateral File 29" W**

P41B

1205

Notes

- Add additional Standard Cabinets To Kneespace Area.

**Add Multi-File - 31"W**

P42B

1205

**Add Storage With Doors 29"W**

P43B

1095

**Add CPU /Printer Cabinet - Open**

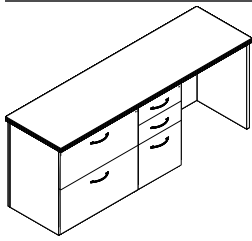
P44B

1095

Available: - Capitol Park, Jamestown, Prado, Richmond Park

PEDESTAL MODIFICATIONS

ADD VENEER KNEESPACE CABINETS - NO BASE



Available: - Central Park, NOT SO square

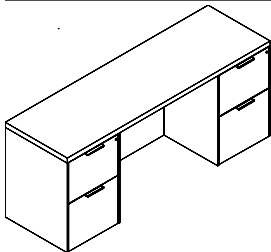
STYLE NUMBER	LIST PRICE
<i>Add Box/Box/File or File/File</i> P40W	875
<i>Add Lateral File 29" W</i> P41W	985
<i>Add Multi-File - 31"W</i> P42W	1095
<i>Add Storage With Doors 29"W</i> P43W	985
<i>Add CPU /Printer Cabinet - Open</i> P44W	985

**SPECIFICATIONS**  
- Multi-file specify Box/Box Left or Right

**Notes**  
- Add additional Standard Cabinets To Kneespace Area.

PEDESTAL MODIFICATIONS

ADD TECH VENEER KNEESPACE CABINETS - NO BASE



Available: - Rift

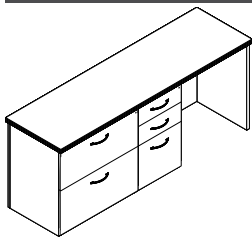
STYLE NUMBER	LIST PRICE
<i>Add Box/Box/File or File/File</i> P40T	1100
<i>Add Lateral File 29" W</i> P41T	1210
<i>Add Multi-File - 31"W</i> P42T	1320
<i>Add Storage With Doors 29"W</i> P43T	1210
<i>Add CPU /Printer Cabinet - Open</i> P44T	1210

**SPECIFICATIONS**  
- Multi-file specify Box/Box Left or Right

**Notes**  
- Add additional Standard Cabinets To Kneespace Area.

PEDESTAL MODIFICATIONS

ADD MELAMINE (TFL) KNEESPACE CABINETS - NO BASE



Available: - Central Park (TFL) and NOT SO square (TFL)

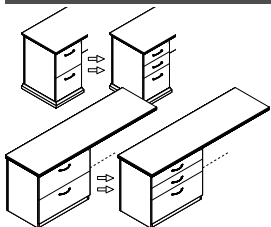
STYLE NUMBER	LIST PRICE
<i>Add Box/Box/File or File/File</i> P40M	688
<i>Add Lateral File 29" W</i> P41M	853
<i>Add Multi-File - 31"W</i> P42M	963
<i>Add Storage With Doors 29"W</i> P43M	765
<i>Add CPU /Printer Cabinet - Open</i> P44M	875

**SPECIFICATIONS**  
- Multi-file specify Box/Box Left or Right

**Notes**  
- Add additional Standard Cabinets To Kneespace Area.

PEDESTAL MODIFICATIONS

MODIFY DRAWER CONFIGURATIONS



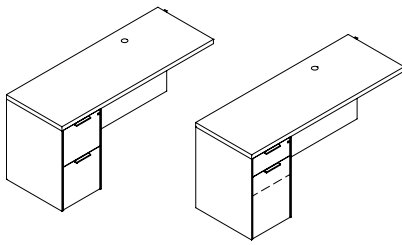
Available: - All DARRAN Collections. Excludes Rail.

STYLE NUMBER	LIST PRICE
<i>File/File to Box/Box/File</i> P6	50 per pedestal
<i>Box/Box/File to File/File</i> P6	50 per pedestal
<i>Lateral File to 2 Box Drawers</i> P8	95 per pedestal

**SPECIFICATIONS**  
- Modify File/File To Box/Box/File - Any Unit

**PEDESTAL MODIFICATIONS**

**MODIFY DRAWER CONFIGURATIONS**



**STYLE NUMBER**

*File/File to Box/Box/File*

P6H

*Lateral File to 2 Box Drawers*

P8

**LIST PRICE**

95 per pedestal

95 per pedestal

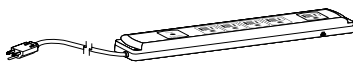
**SPECIFICATIONS**

- Modify File/File To Box/Hidden Box/File - Any Unit

Available: - Rift

**POWER / DATA**

**POWER SUPPLY CORDSET**



**STYLE NUMBER**

PD717

**LIST PRICE**

95

**SPECIFICATIONS**

- SIZE: 10.75"L x 2.0"W x 1.06"H

- (5) Outlets w/ 10' cord

- Surge suppression (720 Joules)

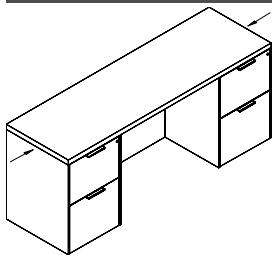
- 15 Amp breaker

- Available on: Vertical Panels, Cabinet Interiors, and under tops

Available: - All DARRAN Collections

**PRODUCT MODIFICATIONS**

**MODIFY WIDTH - OPEN KNEESPACE**



**STYLE NUMBER**

MOD-1

**LIST PRICE**

125

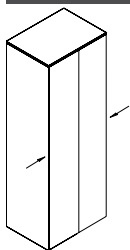
**SPECIFICATIONS**

- Modify width down on any unit with an open kneespace: desk, workstation credenza, bridge, return

Available: - All DARRAN Collections

**PRODUCT MODIFICATIONS**

**MODIFY WIDTH - OPEN/CLOSED STORAGE**



**STYLE NUMBER**

MOD-2

**LIST PRICE**

250

**SPECIFICATIONS**

- Modify width down on any unit with open or closed storage section: overheads, wall hung units, storage credenzas, towers

Available: - All DARRAN Collections



**PRODUCT MODIFICATIONS**

**MODIFY WIDTH - OUTSIDE OF MOD-1, MOD-2**

**STYLE NUMBER**

MOD-3

**LIST PRICE**

Contact Factory for Pricing

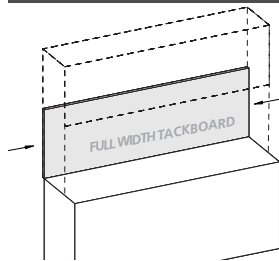
**SPECIFICATIONS**

- Width modification outside of MOD-1 & MOD-2

Available: - All DARRAN Collections

**PRODUCT MODIFICATIONS**

**MODIFY WIDTH - TACKBOARD, SLAT WALL, VENEER PANEL, OR A GLASSBOARD**



**STYLE NUMBER**

MOD-4

**LIST PRICE**

50

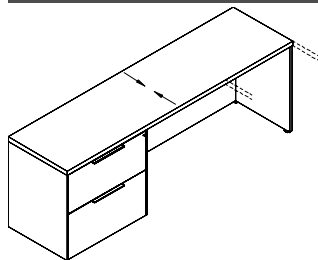
**SPECIFICATIONS**

- Modify width down on tackboard, slat wall, veneer panel, or a overhead glassboard

Available: - All DARRAN Collections

**PRODUCT MODIFICATIONS**

**MODIFY DEPTH - DECREASE DEPTH**



**STYLE NUMBER**

MOD-5

**LIST PRICE**

125

**SPECIFICATIONS**

- Modify depth down (minimum depth for a unit with drawers is 21"D)

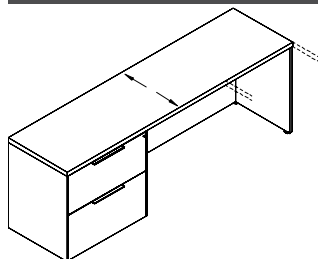
**Notes**

- Ex. 24" to 21", 30" to 24", and 36" to 30"

Available: - All DARRAN Collections

**PRODUCT MODIFICATIONS**

**MODIFY DEPTH - INCREASE DEPTH**



**STYLE NUMBER**

MOD-6

**LIST PRICE**

Add 10%

**SPECIFICATIONS**

- Increase depth

**Notes**

- Ex. 24" to 30", 30" to 36", and 36" to 42"

Available: - All DARRAN Collections. Excludes Rift.

**PRODUCT MODIFICATIONS** *MODIFY HEIGHT*

STYLE NUMBER	LIST PRICE	SPECIFICATIONS
MOD-7	Contact Factory for Pricing	- Modify height of a unit

Available: - All DARRAN Collections

**PRODUCT MODIFICATIONS** *MODIFY CONFERENCE TABLE LENGTH AND WIDTH - 1 PIECE TOP*

STYLE NUMBER	LIST PRICE	SPECIFICATIONS
MOD-8	125	- Modify length/width down on a 1 piece table top

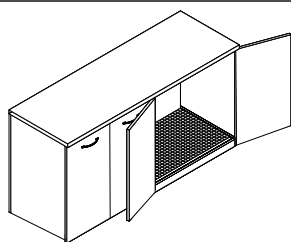
Available: - Conferencing

**PRODUCT MODIFICATIONS** *MODIFY CONFERENCE TABLE LENGTH AND WIDTH - 2/3 PIECE TOP*

STYLE NUMBER	LIST PRICE	SPECIFICATIONS
MOD-9	250	- Modify length/width down on a 2 or 3 piece table top

Available: - Conferencing

**REFRIGERATOR MODIFICATION** *REFRIGERATOR CABINET MODIFICATION*



STYLE NUMBER	LIST PRICE	SPECIFICATIONS
REF01	195	<ul style="list-style-type: none"> <li>- Open back cutout for venting</li> <li>- Moisture sponge mat</li> <li>- Contaminate ledge</li> <li>- Contact customer service for maximum refrigerator size (Changes based on unit).</li> </ul>

Available: - Storage Credenzas

**SHAPED TOPS** **OVERHEAD/WALL HUNG SHAPED TOP**

STYLE NUMBER	LIST PRICE	SPECIFICATIONS
<b>99"W - 105"W</b>		- Shaped tops for overheads and wall hungs
TOH-1	405	
<b>58"W - 93"W</b>		
TOH-2	315	
<b>29"W - 47"W</b>		
TOH-3	203	

Available: - Central Park, Rail

**SHAPED TOPS** **BOOKCASE SHAPED TOP**

STYLE NUMBER	LIST PRICE	SPECIFICATIONS
<b>29"W - 35"W x 15"D</b>		- 15" D Shaped tops for bookcases
TOH-4	203	- Shaped on front

Available: - Central Park, Rail

**SHAPED TOPS** **TOWER SHAPED TOP**

STYLE NUMBER	LIST PRICE	SPECIFICATIONS
<b>16" Single Width Tower</b>		- 24" deep shaped tops for towers
TOH-5	158	- Shaped on front
<b>29"W - 46"W Tower</b>		
TOH-6	203	

Available: - Central Park, Rail

**SHAPED TOPS** **WORKSURFACE SHAPED TOP**

STYLE NUMBER	LIST PRICE	SPECIFICATIONS
<b>Shape Four Sides</b>		- S4S Applies to desk, bridge or any freestanding unit. This adds shapes or copes to two sides (desk, bridges) or one side and back of units (returns).
S4S	50	
<b>Shape Three Sides</b>		- S3S Applies to credenza units. This adds shapes to the two sides.
S3S	50	- Credenzas are shaped front standard with flat back
		<b>Notes</b>
		- Desk, Freestanding and Credenza units will grow 1" in width due to adding shapes on ends of units.

Available: - Central Park

SHAPED TOPS

PREMIUM EDGE - SHAPED WORKSURFACE TOP

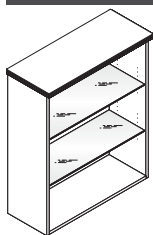
STYLE NUMBER	LIST PRICE	SPECIFICATIONS
<i>Shape Four Sides Premium Edge</i>		
S4S-PE	Add 10%	- S4S-PE Applies to desk, bridge or any freestanding unit. This adds shapes or copes to two sides (desk, bridges) or one side and back with hardwood rims (returns).
<i>Shape Three Sides Premium Edge</i>		
S3S-PE	Add 10%	- S3S-PE Shape Three Sides Premium Edge. Applies to credenza units. This adds shape to the two sides with hardwood rims.
<b>Notes</b>		
- Desk, Freestanding and Credenza units will grow 1" in width due to adding shapes on ends of units.		

\* 10% Upcharge includes 5% for premium edge

Available: - Central Park

SHELF MODIFICATIONS

GLASS SHELVES - TEMPERED FULL WIDTH 26" - 35"

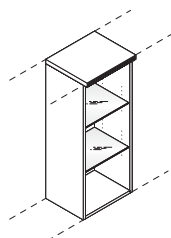


STYLE NUMBER	LIST PRICE	SPECIFICATIONS
<i>26"W - 35"W x 14"D Shelf</i>		
GS14F	85	- Glass Shelves Replace Wood Shelf In Open Or Glass Door Cabinet. Also Order Interior Cabinet Lighting.

Available: - All DARRAN Collections

SHELF MODIFICATIONS

TEMPERED GLASS SHELVES FOR HALF CABINET 17- 1/2" WIDTHS



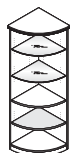
STYLE NUMBER	LIST PRICE	SPECIFICATIONS
<i>14-1/2"W - 17- 1/2"W x 14"D Shelf</i>		
GS14H	65 ea	- Glass Shelves Replace Wood Shelf In Open Or Glass Door Cabinet. Also Order Interior Cabinet Lighting.

**Notes**  
- Replace only adjustable shelves between cabinet light and fixed lower wood shelf.

Available: - All DARRAN Collections

SHELF MODIFICATIONS

CURVED CORNER GLASS SHELF



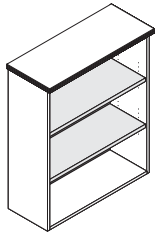
STYLE NUMBER	LIST PRICE	SPECIFICATIONS
GS14CC	85 ea	- Curved shelves feature glass retainer clips to prevent tipping

**Notes**  
- Replace only adjustable shelves between cabinet light and fixed lower wood shelf.

Available: - All DARRAN Collections. Excludes Rail.

**SHELF MODIFICATIONS**

**HEAVY DUTY SOLID WOOD BOOKCASE REPLACEMENT SHELVES**



**STYLE NUMBER**  
**1" Wood Shelf 14" Deep**  
 S714F  
**1" Wood Shelf 24" Deep**  
 S714FX

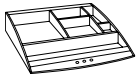
**LIST PRICE**  
 75 ea  
 150 each

**SPECIFICATIONS**  
 - 1" Solid Lumber Core Shelves Replace Standard 3/4" Plywood  
 Adjustable And Fixed Shelves

Available: - All DARRAN Collections. Excludes Rail.

**SLAT WALL ACCESSORIES**

**SLAT WALL ACCESSORY TRAY**



**STYLE NUMBER**  
 SWA9

**LIST PRICE**  
 45

**SPECIFICATIONS**  
 - Specify Black Or Matte Silver

Available: - All DARRAN Collections. Excludes Rail.

**SLAT WALL ACCESSORIES**

**SLAT WALL FOLDER TRAY**



**STYLE NUMBER**  
 SWA7

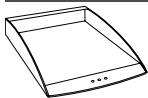
**LIST PRICE**  
 45

**SPECIFICATIONS**  
 - Specify Black Or Matte Silver

Available: - All DARRAN Collections. Excludes Rail.

**SLAT WALL ACCESSORIES**

**SLAT WALL PAPER TRAY**



**STYLE NUMBER**  
 SWA2

**LIST PRICE**  
 35

**SPECIFICATIONS**  
 - Specify Black Or Matte Silver

Available: - All DARRAN Collections. Excludes Rail.

SLAT WALL ACCESSORIES

SLAT WALL PENCIL HOLDER



**STYLE NUMBER**  
SWA4

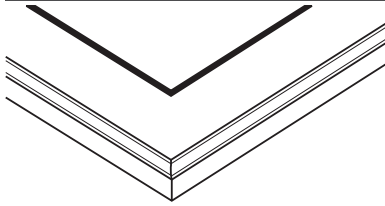
**LIST PRICE**  
25

**SPECIFICATIONS**  
- Specify Black Or Matte Silver

Available: - All DARRAN Collections. Excludes Rail.

SPECIALTY VENEER ACCENTS

BLACK EBONY WOOD INLAY IN ONE PIECE CONFERENCE TOP



**STYLE NUMBER**  
*One Piece Conference Top*  
T30  
*Two Piece Conference Top*  
T31

**LIST PRICE**  
735  
  
1480

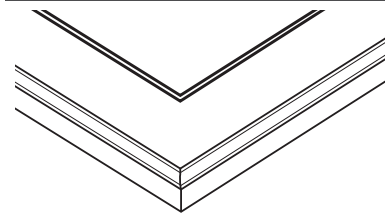
**SPECIFICATIONS**  
- Standard veneer top is routed for Ebony wood inlay 1/8" x 3/16" width line. Inlay wood is miter jointed in the corners, hand fitted, glued and sanded flush with top veneer. Inlay forms a 3" border to top edge

**Notes**  
- Hand fitted miter corner Black Ebony wood inlay installed in standard wood veneer tops

Available: - Conferencing Tops.

SPECIALTY VENEER ACCENTS

BLACK/WHITE/BLACK WOOD INLAY



**STYLE NUMBER**  
*One Piece Top*  
T30BWB  
*Two Piece Top*  
T31BWB

**LIST PRICE**  
950  
  
1795

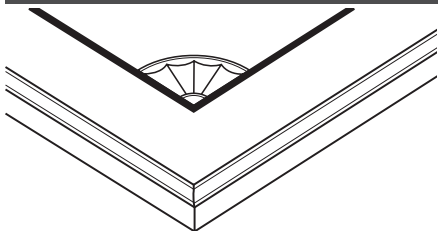
**SPECIFICATIONS**  
- Standard veneer top is routed for wood inlay 1/8" x 3/16" width line. Each color is 1/16" wide. White inlay line is finished over providing a subtle contrast to line detail

**Notes**  
- Hand fitted miter corner ebony-maple-ebony wood inlay installed in standard veneer top  
- The center white line can be masked off preventing color stains from penetrating. Final top coats are applied over the white line.

Available: - Conferencing Tops

SPECIALTY VENEER ACCENTS

BLACK EBONY WOOD INLAY W/ WOOD FAN DETAIL - 1 PIECE CONFERENCE TABLE TOP



**STYLE NUMBER**  
*One Piece Top*  
T51  
*Two Piece Top*  
T52

**LIST PRICE**  
1160  
  
2110

**SPECIFICATIONS**  
- Standard veneer top is routed for wood inlay 1/8" x 3/16" width line. With each 90 degree corner routed for Quarter circle fan inlays. Inlay fans combined with solid black inlay preserves an old traditional appearance. Fans are handcrafted from teakwood, rosewood, mahogany, and other exotic woods. Each piece of veneer is shaded by burning and is hand fitted to a perfect fan shape - truly and old world craft  
- Conference tables: 4 fans, one in each corner per top section

**Notes**  
- Hand fitted miter corner wood inlay and fan installed in standard veneer top  
- Only available on square/ rectangle tops

Available: - Conferencing Tops

**SPECIALTY VENEER ACCENTS**

**CROTCH MAHOGANY INFIELD WITH MITERED BORDER**



**STYLE NUMBER**

- TCB-1 - 84 x 36/42
- TCB-2 - 72 x 36/42
- TCB-3 - 72 x 30/36

**LIST PRICE**

- 1895
- 1795
- 1695

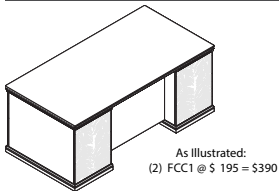
**SPECIFICATIONS**

- Center balanced butt and book matched crotch mahogany
- 35 sheen non-rubbed finish ensures maximum durability

Available: - Jamestown, Prado

**SPECIALTY VENEER ACCENTS**

**CROTCH MAHOGANY DESK PEDESTAL FRONTS**



Desk Approach  
Pedestal Fronts

**STYLE NUMBER**

FCC1

**LIST PRICE**

195 per pedestal

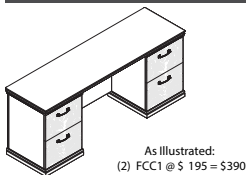
**SPECIFICATIONS**

- Center balanced butt and book matched crotch mahogany
- 35 sheen non-rubbed finish ensures maximum durability

Available: - Jamestown, Prado

**SPECIALTY VENEER ACCENTS**

**CROTCH MAHOGANY DRAWER FRONTS**



Box/Box/File or File/File  
Drawer Fronts

**STYLE NUMBER**

FCC1

**LIST PRICE**

195 per pedestal

**SPECIFICATIONS**

- Center balanced butt and book matched crotch mahogany
- 35 sheen non-rubbed finish ensures maximum durability

Available: - Jamestown, Prado

**SPECIALTY VENEER ACCENTS**

**CROTCH MAHOGANY DOUBLE WIDTH PANEL FRONTS**



All Three Illustrations Represent: (1) FCC2 @ \$395

30-32-36 Width  
FCC-2 \$395 per Panel Set

**STYLE NUMBER**

FCC2

**LIST PRICE**

395 per Panel Set

**SPECIFICATIONS**

- Center balanced butt and book matched crotch mahogany
- 35 sheen non-rubbed finish ensures maximum durability

Available: - Jamestown, Prado

**SPECIALTY VENEER ACCENTS** *CROTCH MAHOGANY DOUBLE WIDTH/ DOUBLE HEIGHT FRONTS*



**STYLE NUMBER**  
FCC3

**LIST PRICE** 895 per Panel Set  
**SPECIFICATIONS**  
 - Center balanced butt and book matched crotch mahogany  
 - 35 sheen non-rubbed finish ensures maximum durability

Both Illustrations Represent:  
 (1) FCC3 @ \$895 - Panel Set  
 30-36 Width  
 FCC-3 \$895 per Panel Set  
 52" Center Balance Butt & Bookmatch

Available: - Jamestown, Prado

**SPECIALTY VENEER ACCENTS** *RECTANGLE INLAY - RECESSES DURA-LEATHER WRITING SURFACE*



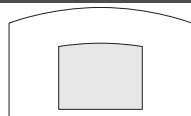
RECTANGLE INLAY

**STYLE NUMBER**  
RL-29A

**LIST PRICE** 895  
**SPECIFICATIONS**  
 - Recessed inlay desk pads are covered with Alomost Leather from Paul Brayton Designs.  
 - DARRAN will gladly custom quote other inlay materials ie: solid surfaces, biocomposites, metallic laminates, or genuine leather to match seating

Available: - All DARRAN Collections

**SPECIALTY VENEER ACCENTS** *BOWFRONT INLAY - RECESSES DURA-LEATHER WRITING SURFACE*



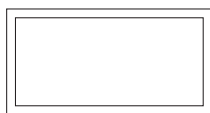
BOWFRONT INLAY

**STYLE NUMBER**  
RL-31A

**LIST PRICE** 995  
**SPECIFICATIONS**  
 - Recessed inlay desk pads are covered with Alomost Leather from Paul Brayton Designs.  
 - DARRAN will gladly custom quote other inlay materials ie: solid surfaces, biocomposites, metallic laminates, or genuine leather to match seating

Available: - All DARRAN Collections

**SPECIALTY VENEER ACCENTS** *RECTANGLE INLAY - EBONY HARDWOOD INLAY DETAIL*



RECTANGLE INLAY

**STYLE NUMBER**  
T10SA

**LIST PRICE** 895  
**SPECIFICATIONS**  
 - 3/16" x 3/16" thick hardwood ebony inlay is handfitted and glued into routed top and sanded flush with surface  
 - Inlay is finished over with all finish steps

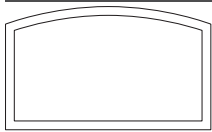
**Notes**  
 - Ebony inlay not recommended in: Koko Cherry

Available: - All DARRAN Collections



**SPECIALTY VENEER ACCENTS**

**BOWFRONT INLAY - EBONY HARDWOOD INLAY DETAIL**



CURVED INLAY

**STYLE NUMBER**

T11SA

**LIST PRICE**

995

**SPECIFICATIONS**

- 3/16" x 3/16" thick hardwood ebony inlay is handfitted and glued into routed top and sanded flush with surface
- Inlay is finished over with all finish steps

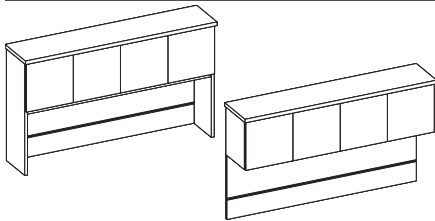
**Notes**

- Ebony inlay not recommended in: Koko Cherry

Available: - All DARRAN Collections

**TOOL CHANNEL ACCESSORIES**

**RECESSED ALUMINUM TOOL CHANNEL**



**STYLE NUMBER**

ATB02

**LIST PRICE**

5 per 1"W

**SPECIFICATIONS**

- Anodized aluminum finish
- Fully recessed
- Finish matches anodized aluminum accessories
- Can be specified with fabric tack surface mounted above channel

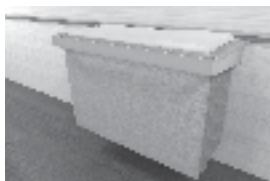
**Notes**

- If using tool channel with wallhung overhead, a veneer panel must be specified.

Available: - All DARRAN Collections. Excludes Rail.

**TOOL CHANNEL ACCESSORIES**

**FILE HOLDER**



**STYLE NUMBER**

ATB37

**LIST PRICE**

105

**SPECIFICATIONS**

- For Console/Wall Hung Back Panels With Optional Tool Bar
- 18 Gauge Steel - Stamp Formed
- Silver Powderdercoat Finish

Available: - All DARRAN Collections. Excludes Rail.

**TOOL CHANNEL ACCESSORIES**

**IPHONE HOLDER**



**STYLE NUMBER**

ATB31

**LIST PRICE**

120

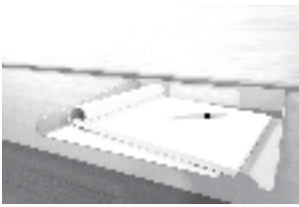
**SPECIFICATIONS**

- For Console/Wall Hung Back Panels With Optional Tool Bar
- 18 Gauge Steel - Stamp Formed
- Silver Powderdercoat Finish
- 5" x 3 -3/4"W
- Non-slip Neoprene pad

Available: - All DARRAN Collections. Excludes Rail.

**TOOL CHANNEL ACCESSORIES**

**LARGE SHELF**



**STYLE NUMBER**  
ATB35

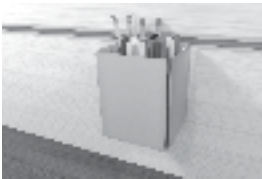
**LIST PRICE**  
125

**SPECIFICATIONS**  
- 12"W x 10"D

Available: - All DARRAN Collections. Excludes Rail.

**TOOL CHANNEL ACCESSORIES**

**PENCIL PEN HOLDER**



**STYLE NUMBER**  
ATB38

**LIST PRICE**  
115

**SPECIFICATIONS**  
- For Console/Wall Hung Back Panels With Optional Tool Bar  
- 18 Gauge Steel - Stamp Formed  
- Silver Powdercoat Finish  
- 5"H x 4"W x 4"D

Available: - All DARRAN Collections. Excludes Rail.

**TOOL CHANNEL ACCESSORIES**

**SMALL SHELF**



**STYLE NUMBER**  
ATB36

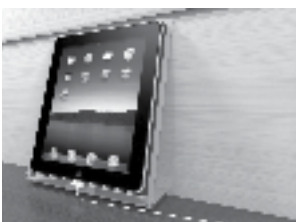
**LIST PRICE**  
110

**SPECIFICATIONS**  
- 12"W x 6 -3/4"D

Available: - All DARRAN Collections. Excludes Rail.

**TOOL CHANNEL ACCESSORIES**

**TABLET HOLDER**



**STYLE NUMBER**  
ATB30

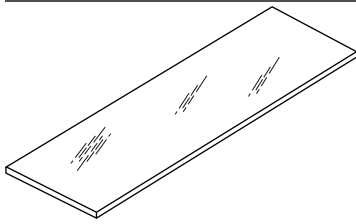
**LIST PRICE**  
135

**SPECIFICATIONS**  
- For Console/Wall Hung Back Panels With Optional Tool Bar  
- 18 Gauge Steel - Stamp Formed  
- Silver Powdercoat Finish  
- 10" x 8"W  
- Non-slip Neoprene pad

Available: - All DARRAN Collections. Excludes Rail.

TOP MODIFICATION

1/4" RECTANGLE SOFT ETCH GLASS RUNOFF WORKSURFACE



STYLE NUMBER

SEGW8436  
 SEGW8430  
 SEGW7836  
 SEGW7830  
 SEGW7230  
 SEGW6630  
 SEGW6030

LIST PRICE

2210  
 1870  
 2070  
 1750  
 1630  
 1515  
 1395

SPECIFICATIONS

- 1/4" Soft etch glass
- Back painted white glass

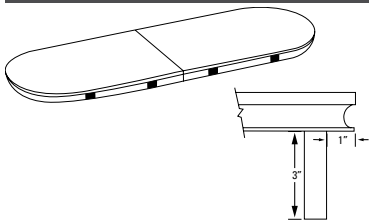
Notes

- Additional colors can be custom quoted. Contact factory for pricing.

Available: - Rift Runoff Worksurface

TOP MODIFICATION

TOP APRON RAIL



STYLE NUMBER

TAR

LIST PRICE

Add 10% to top price for apron only

SPECIFICATIONS

- 3 x 3/4 thick apron rail is set back under top 1"
- Apron rail is recommended for fixed port installation for power/data support.

Notes

- Select power/data support separately.
- See power options for available apron power: UDT2/VD-SM

Available: - Conferencing Tops Only

TOP MODIFICATION

TOP APRON RAIL



STYLE NUMBER

TAR-M

LIST PRICE

Add 15% (Apron rail with beltline detail)

SPECIFICATIONS

- Traditional with apron rail and molding - available in Cherry and Walnut.

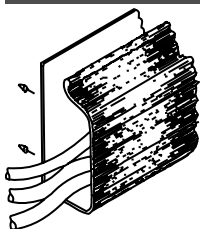
Notes

- Select power/data support separately.
- See power options for available apron power: UDT2/VD-SM

Available: - Conference tops only

WIRE MANAGEMENT

HORIZONTAL J-CHANNEL WIRE MANAGEMENT RACEWAY



STYLE NUMBER

W1

LIST PRICE

75 Per 4 Foot Section

SPECIFICATIONS

- 4' section for field installation.
- The "J" shape black thermoplastic wire raceway may be added to specified worksurface tops to provide concealed channeling of wires to and from worksurface grommets. For use in open kneespace areas, raceway is attachable to top of back panel with pan head screws. Interior dimensions are 1" x 1- 1/2" providing ample storage for multiple wires and excess cable. Front of raceway flexes out for easy cord insertion.

Notes

- Units w/ Wire Channel Standard.
- Field Installation

Available: - All DARRAN Collections.

WIRE MANAGEMENT

HORIZONTAL U-CHANNEL WIRE MANAGEMENT RACEWAY



**STYLE NUMBER**  
W2A

**LIST PRICE**  
75 Per 4 Foot Section

**SPECIFICATIONS**  
- 4' section for field installation.

**Notes**  
- Units w/ Wire Channel Standard.  
- Field Installation

Available: - All DARRAN Collections.

WIRE MANAGEMENT

COIL WIRE MANAGER



**STYLE NUMBER**  
W18

**LIST PRICE**  
150

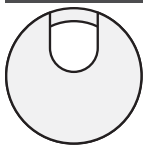
**SPECIFICATIONS**  
- Weighted Base, Table attachment plate  
- 39- 1/2" Length  
- Black

**Notes**  
- Location

Available: - All DARRAN Collections.

WIRE MANAGEMENT

STANDARD LOCATION GROMMETS - FACTORY INSTALLED



**STYLE NUMBER**  
*Standard Location Grommet*

**Black**  
TM30

**Silver**  
TM31

**Antique Brass**  
TM33

**White**  
TM34

**LIST PRICE**

45

45

45

45

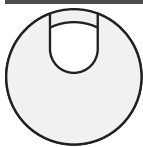
**SPECIFICATIONS**  
- 1 -5/8" Metal Grommet

**Notes**  
- \*Units w/ Grommets Standard Are Noted Under Standard Features. Grommets Match Pull Finish - Standard (Unless Specified Otherwise)

Available: - All DARRAN Collections.

WIRE MANAGEMENT

NON-STANDARD LOCATION GROMMETS - FACTORY INSTALLED



**STYLE NUMBER**  
*Non-Standard Location Grommet*

**Black**  
TM30 -NS

**Silver**  
TM31 -NS

**Antique Brass**  
TM33 -NS

**White**  
TM34 -NS

**LIST PRICE**

90

90

90

90

**SPECIFICATIONS**  
- 1 -5/8" Metal Grommet

**Notes**  
- \*Units w/ Grommets Standard Are Noted Under Standard Features. Grommets Match Pull Finish - Standard (Unless Specified Otherwise)

Available: - All DARRAN Collections

**WIRE MANAGEMENT**

**BLACK PLASTIC VERTICAL SURFACE GROMMETS - FACTORY INSTALLED**

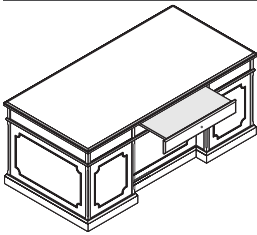


STYLE NUMBER	LIST PRICE	SPECIFICATIONS
<i>Standard Location Grommet</i>		- 2 " Black Plastic Grommet
TM50-C	45	<b>Notes</b> - Standard Location is Bottom Center
<i>Non-Standard Location Grommet</i>		
TM50-NS	90	

Available: - All DARRAN Collections

**WORKSTATION**

**CLIENT PULLOUT WRITING SHELF**



STYLE NUMBER	LIST PRICE	SPECIFICATIONS
CP-1	425	- CP-1: Client pull-out writing shelf for executive chassis desk
CP-2	625	- CP-2: Client pull-out writing shelf for conference desk

Available: - Jamestown

**AIRCHARGE WIRELESS CHARGING GROMMET**

STYLE NUMBER	LIST PRICE
ACWG WIRELESS GROMMET	\$575
ACWR WIRELESS RECEIVER W/ LIGHTNING CABLE	\$170

**SPECIFICATIONS**

- AirCharge offers a convenient way to charge any Qi compatible smartphone or device without the need to carry charging cables or find an available power outlet. Devices not equipped with the Qi technology, can be adapted to accept a charge from the grommet with the AirCharge Wireless Receiver.
- Size: 3.33" DIA x .75"D
- Compatible with an Qi rated device, Contact Customer Service for compatibility list
- Non-Qi device can be adapted to accept AirCharge unit with an ACWR AirCharge Wireless Receiver (compatible with iPhone)
- Surface Mount
- 78" Cord
- Standard Black Aluminum Finish; Available in White Aluminum or Black Finish upon request

**AVAILABLE**

- All Darran Collections



AirCharge Wireless Grommet



iphone w/ ACWR



Black Aluminum



Black Finish



White Aluminum

## COVE POWER UNIT - NON-LINKING

STYLE NUMBER	LIST PRICE
 PD COVE PLUG Non-Linking Version	\$550

**SPECIFICATIONS**

- Size 5.75" L x 2.5" W
- (2) 15 Amp Receptacles and (2) USB charging ports
- Surface Mount
- 108" Cord
- Standard Silver Finish, Available in White or Black Finish upon request
- ETL Listed

**AVAILABLE**

- All Darran Collections



## COVE POWER UNIT WITH DAISYLINK

### STYLE NUMBER

### LIST PRICE

#### STARTER UNITS



#### COV-DCH HARDWIRED

\$710

Includes (1) Cove unit with Hardwire Infeed - 120"



#### COV-DCP PLUG

\$800

Includes (1) Cove unit with Plug infeed - Includes 72" Cord and 32" Infeed Jumper for 104" total cord infeed

#### ADDITIONAL LINKING UNITS

#### COV-DCL

\$575 EACH

Includes Linking Cove unit and Jumper up to 96", cable length determined by the top size

### SPECIFICATIONS

- Size: 5.75" L x 2.5" W
- (2) 15 Amp Receptacles and (2) 2.1 Amp USB charging ports
- Surface Mount
- Max Daisy Chain - Hardwire - (9) units; Plug/Corded - (4) units
- Standard Silver Finish, Available in White or Black Finish upon request
- ETL Listed


### AVAILABLE

- All Darran Collections





## COVE CORDED SERIES

STYLE NUMBER	LIST PRICE
 PD-COVE-PKO	\$800

**SPECIFICATIONS**

- Size 9.5" L x 2.5" W x 3.18" D
- (2) Power Receptacles, (2) 2.1 Amp USB charging ports and (1) Telecom Plate Knockout
- Surface Mount
- 108" Cord
- Standard Silver Finish, Available in White or Black Finish upon request
- ETL Listed

**AVAILABLE**




- All Darran Collections

**TELECOM PLATES**

*THIS POD CAN HAVE UP TO 1 TOTAL PLATES*

STYLE NUMBER	LIST PRICE
RJ45 (1)	\$35
RJ45 (2)	\$70
RJ45 (3)	\$105
USB (1)	\$70
USB (2)	\$140
RJ11/RJ45	\$70
RJ45/USB	\$105
RJ45/HDMI	\$190
HDMI/DVI	\$325
HDMI/USB	\$205
HDMI/VGA	\$240
VGA/MINI-STEREO	\$155
VGA/USB	\$175

## PDFAA FLUSH DATA BAY ANODIZED ALUMINUM DOOR

STYLE NUMBER	LIST PRICE
 PDFAA-H Hardwired	\$1195
 PDFAA-C Plug	\$1195
 PDFAA-DC Daisy Chain	\$1395

Features convenience plug on bottom - Max Daisy chain (4) units  
 - Specify hardwired or plug for the first unit in series, daisy chained units will have a plug for connection through convenience plug.

### SPECIFICATIONS

- Size 13.75"L x 6.375"W x 2.85"D
- (4) 15 Amp receptacles
- Surface Mount
- Standard Interior Black Finish
- Specify up to (4) Telecom Plates; (2) on side and (2) on bottom
- Coded units are UL Listed and CSA Certified. Hardwired Units are CSA Certified



### AVAILABLE




- All Darran Collections
- Excludes Rail, Grove

### TELECOM PLATES

*THIS POD CAN HAVE UP TO 4 TOTAL PLATES*

STYLE NUMBER	LIST PRICE
RJ45 (1)	\$35
RJ45 (2)	\$70
RJ45 (3)	\$105
USB (1)	\$70
USB (2)	\$140
RJ11/RJ45	\$70
RJ45/USB	\$105
RJ45/HDMI	\$190
HDMI/DVI	\$325
HDMI/USB	\$205
HDMI/VGA	\$240
VGA/MINI-STEREO	\$155
VGA/USB	\$175

**PDFAF FLUSH DATA BAY FROSTED GLASS DOOR WITH DAISYLINK**

	STYLE NUMBER	LIST PRICE
	PDFAF-H HARDWIRED	\$1095
	PDFAF-C PLUG	\$1095
	PDFAF-DC DAISY CHAIN	\$1295

Features convenience plug on bottom - Max Daisy chain (4) units  
 - Specify hardwired or plug for the first unit in series, daisy chained units will have a plug for connection through convenience plug.



**SPECIFICATIONS**

- Size 13.75"L x 6.375"W x 2.85"D
- (4) 15 Amp receptacles
- Surface Mount
- Standard Interior Black Finish
- Specify up to (4) Telecom Plates; (2) on side and (2) on bottom
- Corded units are UL Listed and CSA Certified. Hardwired Units are CSA Certified

**AVAILABLE**

- All Darran Collections
- Excludes Rail, Grove



**TELECOM PLATES**

*THIS POD CAN HAVE UP TO 4 TOTAL PLATES*

STYLE NUMBER	LIST PRICE
RJ45 (1)	\$35
RJ45 (2)	\$70
RJ45 (3)	\$105
USB (1)	\$70
USB (2)	\$140
RJ11/RJ45	\$70
RJ45/USB	\$105
RJ45/HDMI	\$190
HDMI/DVI	\$325
HDMI/USB	\$205
HDMI/VGA	\$240
VGA/MINI-STEREO	\$155
VGA/USB	\$175

**REEF POWER UNIT WITH DAISYLINK**

**STYLE NUMBER**

**LIST PRICE**



REF310 PLUG

\$1100

**SPECIFICATIONS**

- Size 16.1”L x 6.25”W x 4.89”D
- (3) 120V Receptacles, (2) USB charging ports and (2) Knockouts for RJ45 Data Ports
- Surface Mount
- 108” Cord
- Features Convenience Plug on bottom of unit that allows for max (3) Daisy Chain
- Standard Black Finish, Available in White or Silver Finish upon request
- Additional Telecom Plate Knockout
- When used with Grove Tables an additional \$350 LIST will apply for the special cutout required.
- RJ45 for Knockouts not required. If not ordered a small hole will be present in this this location
- ETL Listed

**AVAILABLE**

- Grove
- Conferencing



**TELECOM PLATES**

*THIS POD CAN HAVE UP TO 1 TOTAL PLATES*

STYLE NUMBER	LIST PRICE
RJ45 (1)	\$35
RJ45 (2)	\$70
RJ45 (3)	\$105
USB (1)	\$70
USB (2)	\$140
RJ11/RJ45	\$70
RJ45/USB	\$105
RJ45/HDMI	\$190
HDMI/DVI	\$325
HDMI/USB	\$205
HDMI/VGA	\$240
VGA/MINI-STEREO	\$155
VGA/USB	\$175



## SECLUSION CORDED POWER UNIT NON-LINKING

## STYLE NUMBER

## LIST PRICE



P2SECL

\$245

Choose from plate mount or clamp mount (seen in photo)

## SPECIFICATIONS

- Size: 3.5"L x 2.2"D x 2.5"H
- (2) Power Receptacles
- Worksurface Clamp Mount or Plate Under Surface Mount
- Clamp Accessory accommodates table thickness up to 2"
- 72" Cord
- Standard Silver Finish, Black Finish available upon request
- UL/UCL Listed


## AVAILABLE

- All Darran Collections



Clamp Mount

**UDT POWER UNIT - NON-LINKING**

STYLE NUMBER	LIST PRICE
 <b>UDT2/VD-SM PLUG</b> Non-Linking	\$350



**SPECIFICATIONS**

- Size 6.5"L x 2.81"D x 1.26"H
- (2) Power receptacles and (1) Telecom Plate Cutout
- Side Mount, if Top Mount is required contact customer service
- 72" Cord
- Standard Black Powdercoat Finish
- Used in Apron Rails
- UL Listed

**AVAILABLE**


- Conferencing Apron Rails

**TELECOM PLATES**

*THIS POD CAN HAVE UP TO 1 TOTAL PLATES*

STYLE NUMBER	LIST PRICE
RJ45 (1)	\$35
RJ45 (2)	\$70
RJ45 (3)	\$105
USB (1)	\$70
USB (2)	\$140
RJ11/RJ45	\$70
RJ45/USB	\$105
RJ45/HDMI	\$190
HDMI/DVI	\$325
HDMI/USB	\$205
HDMI/VGA	\$240
VGA/MINI-STEREO	\$155
VGA/USB	\$175

## VILLA POWER UNIT - NON-LINKING

STYLE NUMBER	LIST PRICE
 VIL-C PLUG Non-Linking	\$515

## SPECIFICATIONS

- Size: Top Grommet 5.68"L X 3.39"W; Under Top 12"L x 3.13"W x 3.08"D
- (2) Power receptacles; (2) USB charging ports and (1) Knockouts for RJ45 Data Ports
- Surface Mount
- 72" Cord (Longer cord available, contact Customer Service)
- Standard Silver Finish, Black Finish available upon request
- UL or ETL Certified

## AVAILABLE

- All Darran Collections
- Excludes Grove

## RJ45 KNOCKOUT

STYLE NUMBER	LIST PRICE
RJ45 (1)	\$35



**VILLA POWER UNIT WITH DAISYLINK**

**STYLE NUMBER LIST PRICE**

**STARTER UNITS**



**VIL-DCH HARDWIRED** \$600  
Includes (1) Villa unit with 120" Hardwire Infeed



**VIL-DCP PLUG** \$695  
Includes (1) Villa with Plug Infeed - Includes 72" Cord and 32" Infeed Jumper for 104" total cord infeed

**ADDITIONAL LINKING UNITS**

**VIL-DCL ADDITIONAL** \$590  
(Includes linking Villa and Jumper cable up to 96")



**SPECIFICATIONS**

- Size: Top Grommet 5.68" L X 3.39"W; Under Top 12"L x 3.13"W x 3.08"D
- (4) Power receptacles; (2) surface and (2) undersurface, (2) 2.1A USB charging ports and (1) Knockout for RJ45 Data Port
- Surface Mount
- Daisy Chain - Hardwire Max (10) Units, Plug/Corded Max (5) Units
- Standard Silver Finish, Black Finish available upon request
- UL or ETL Certified

**AVAILABLE**

- All Darran Collections
- Excludes Grove



**RJ45 KNOCKOUT**

**STYLE NUMBER LIST PRICE**

RJ45 (1) \$35